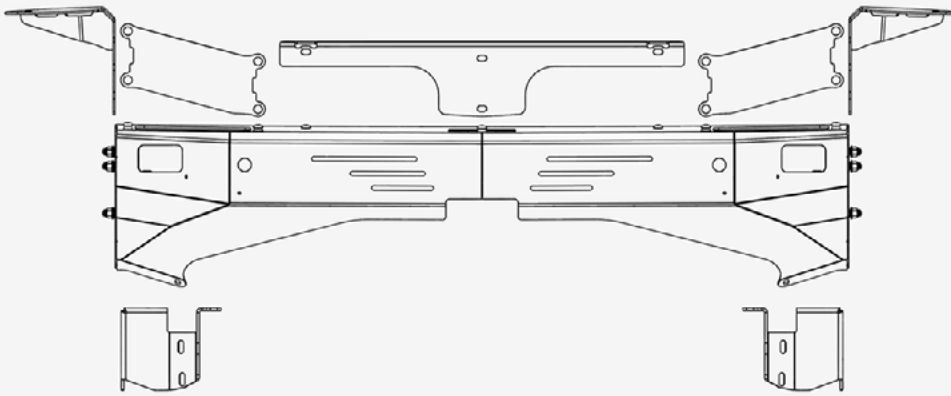


CENTER MOUNT REAR BUMPER 2024/TOYOTA LAND CRUISER R770255090103



TOOLS REQUIRED

- 10mm, 12mm, 9/16 sockets
- 10mm, 12mm, 9/16 wrenches
- Pushpin Puller or Flathead Screwdriver
 - 7/32 Hex
- Plastic Pry Tool
- Cutting Tools
- Razor Blade
- Heat Gun

SKILL LEVEL

- Skilled

TIME REQUIRED

- Approximately 4.5 Hours

WARNINGS/CAUTIONS BEFORE STARTING INSTALLATION

-BEFORE YOU INSTALL THIS KIT-

Read and understand all instructions, warnings, cautions, & notes contained in this installation instruction guide. Consult your vehicle owner's manual for proper disconnection of electrical and lifting of vehicle if required for installation of this product.

This install may require some technical skills and knowledge of basic mechanical work. If you do not feel that you are capable of performing this install please take this product to a trained professional.

After reading this guide please contact us with any questions or concerns before installing product.

Customer Service: 830-896-7571
Rago Fabrication is **not** responsible for any bodily injury or harm to you or your vehicle as a result of an improper install.

Proper installation of this kit required knowledge of the factory recommended procedures for removal and installation of original equipment components.

We recommend that the factory shop manual and any special tools needed to service your vehicle be on hand during the installation. Installation of this kit without proper knowledge of the factory recommended procedures may affect the

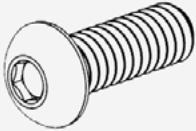
performance of these components and the safety of the vehicle. Inspect all contents of this package to make sure product is not damaged and all installation hardware has been included. If parts are missing from kit, please be prepared to provide the following information:

1. Name of purchase location
2. Bar Code on side of box
3. Date above bar code
4. Date inside box cover

***ALWAYS WEAR EYE PROTECTION
WHEN OPERATING POWER TOOLS***

HARDWARE

A.



3/8-16 X 1" BUTTON HEAD BLACK

QTY: 12

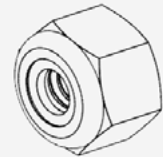
A1.



3/8" FLAT WASHER BLACK

QTY: 10

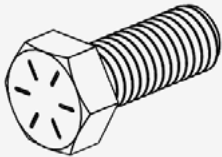
A2.



3/8-16" NYLON LOCK NUT BLACK

QTY: 10

B.



3/8-16 X 1 1/4" HEX HEAD BOLT GRADE 8

QTY: 8

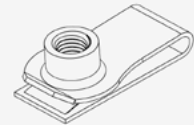
B1.



3/8" FLAT WASHER YELLOW ZINC

QTY: 8

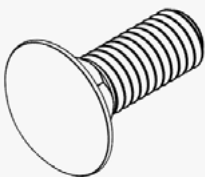
B2.



3/8-16" U-NUT

QTY: 16

C.



3/8-16 X 1" CARRIAGE BOLT

QTY: 6

C1.



3/8" RETAINING WASHER

QTY: 6

D.



3M DOUBLE SIDED TAPE 1X1

QTY: 4

Reference this page throughout the install



PARTS

E.



SPL0799

QTY: 1

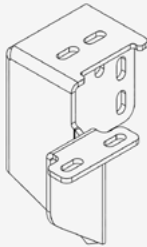
F.



SPL0823

QTY: 2

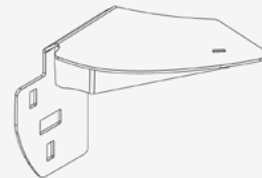
G.



SPL0800, SPL0800-M

QTY: 2

H.



SPL0834

QTY: 2

Reference this page throughout the install



□ STEP 1

Remove the receiver cover by pulling. Next using a (fastener remover tool) or a (flathead screwdriver) remove the push pins shown below.



□ STEP 2

Using a (plastic pry tool), remove the top plastic cover. Then, Unplug the wire harness both on driver and passenger side.



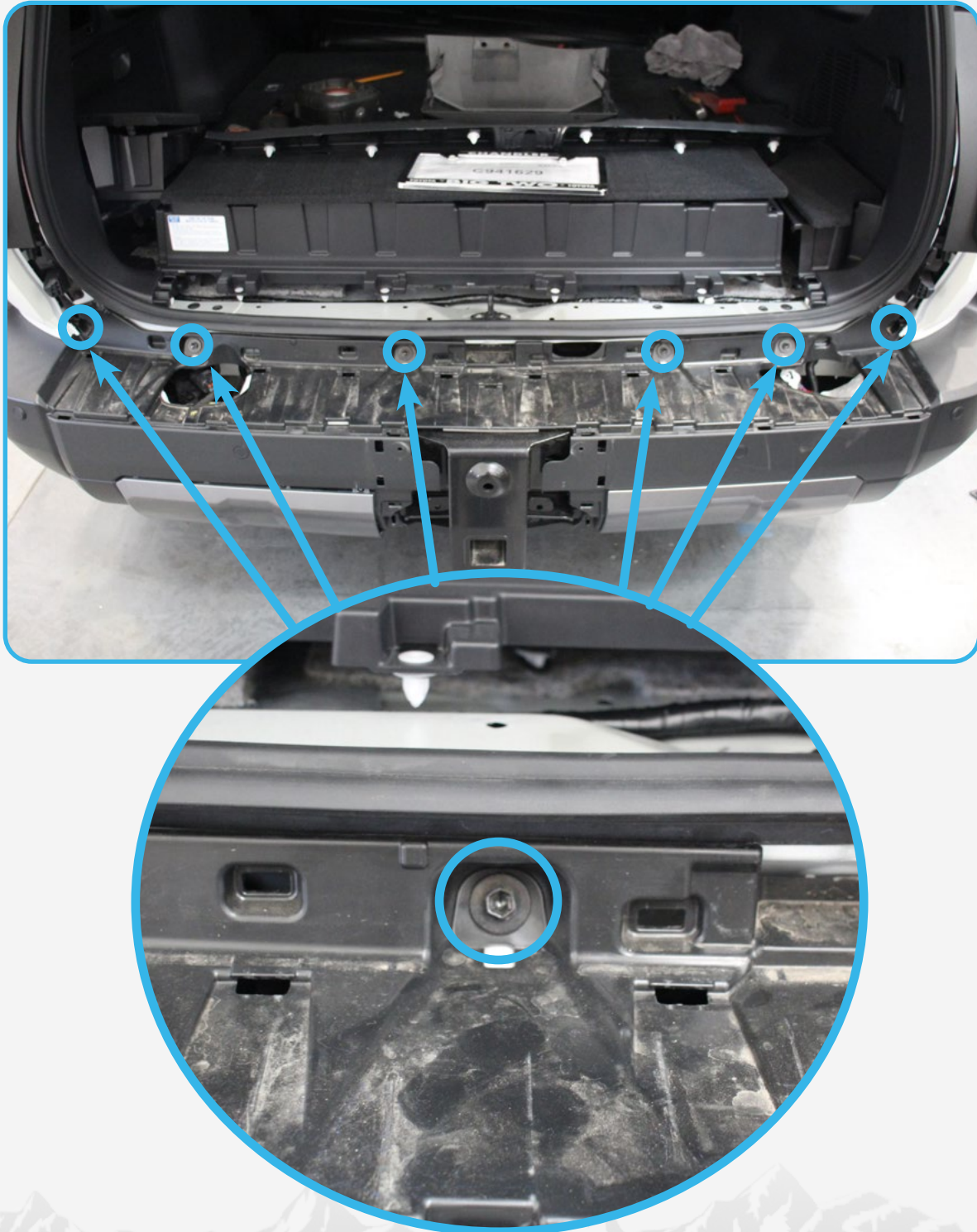
□ STEP 3

Remove the plastic cover as shown below by pulling.



□ STEP 4

Using a (10mm socket), remove the OEM hardware as shown below. ****KEEP HARDWARE****



STEP 5

Remove the plastic covers shown below by pulling.



□ STEP 6

Using a (10mm socket) remove the OEM hardware shown below. ****KEEP HARDWARE****



□ STEP 7

Using a (10mm socket), remove the OEM hardware located underneath the bumper as shown below.



□ STEP 8

Using a (10mm socket) remove the mud flap hardware as shown below. ****KEEP HARDWARE****



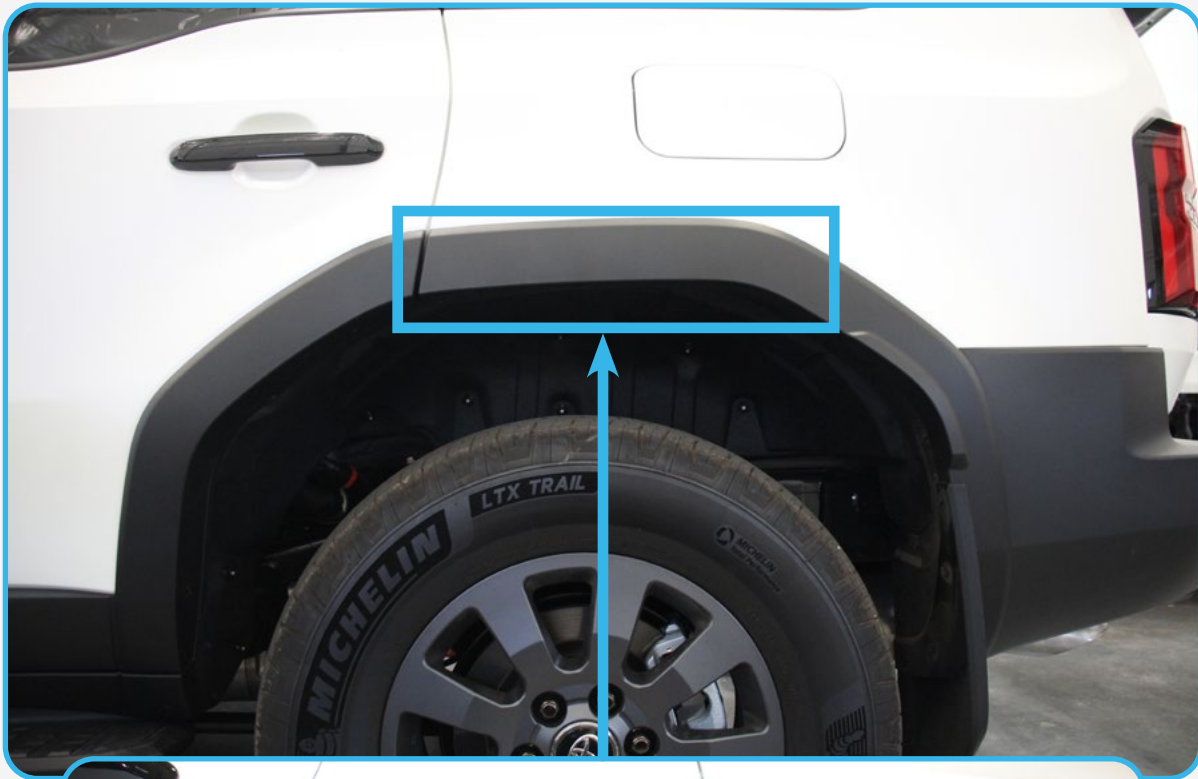
□ STEP 9

Using a (10mm socket) remove the mud flap hardware located inside the wheel well as shown below. ****KEEP HARDWARE****



□ STEP 10

Using a (fastener removal tool), Remove the push pins located inside the wheel well as shown below. ****KEEP HARDWARE****



□ STEP 11

Remove the fender flare by pulling. Set aside.



□ STEP 12

Next, Remove the push pin as shown below using a (fastener removal tool).



□ STEP 13

Located inside the bumper on the sides push in all four sides of the clips and push out.



STEP 14

Pull the sides out as shown below.



STEP 15

You can now remove the rear bumper.



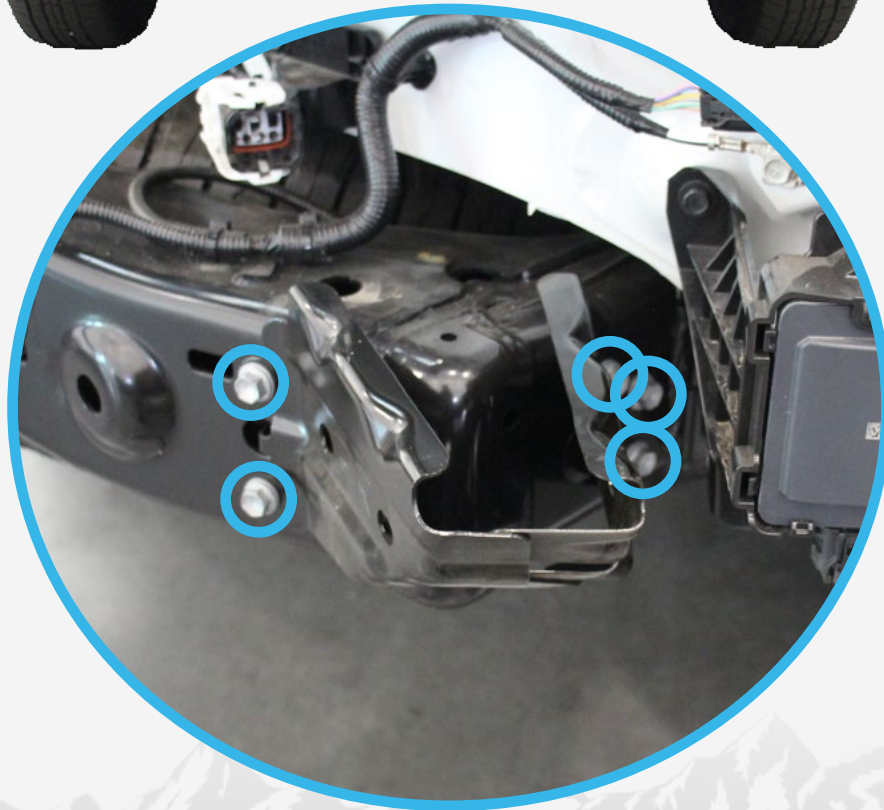
□ STEP 16

Remove the foam located on top of the hitch.



□ STEP 17

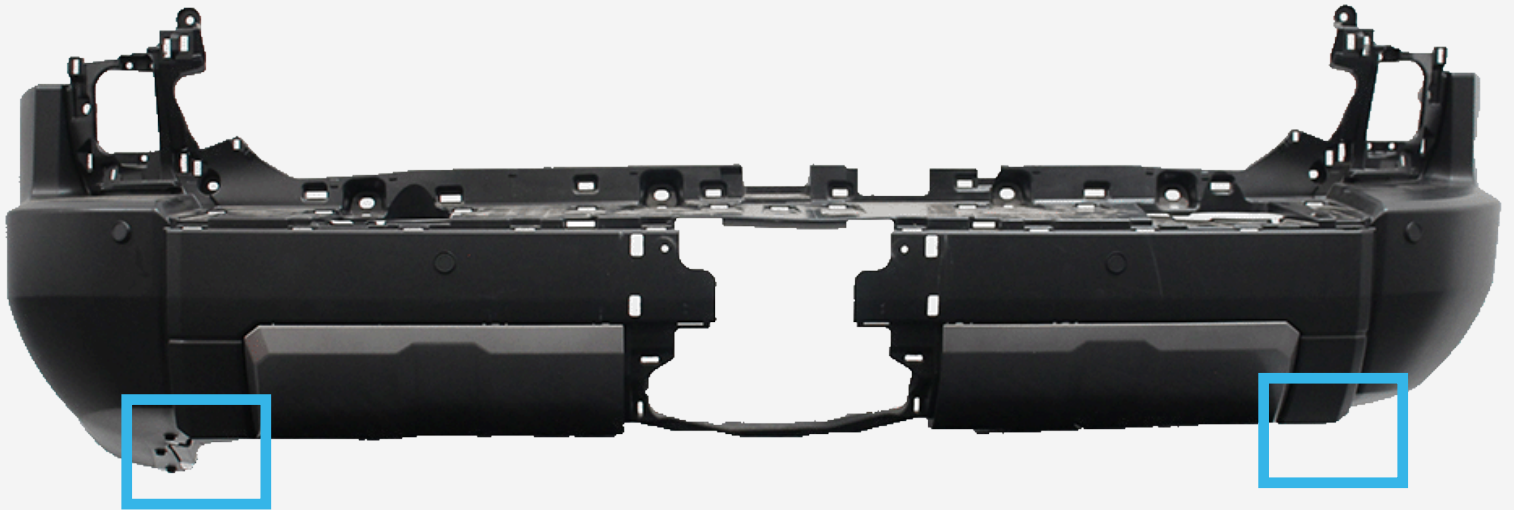
Using a (12mm socket), remove the crash supports located on the hitch. ****KEEP HARDWARE****



□ STEP 18

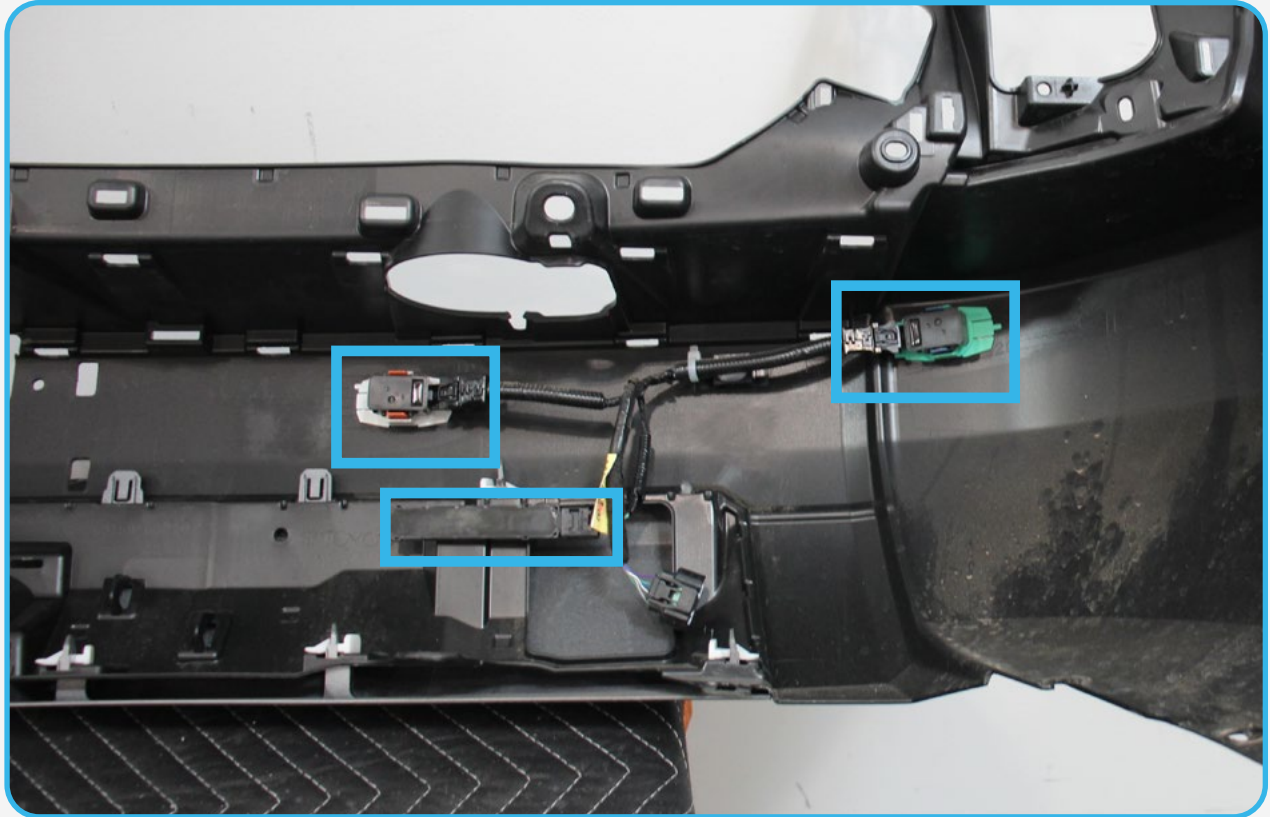
Using a (10mm Socket), remove the plastic trim located on the bottom of the OEM bumper.

****KEEP HARDWARE****



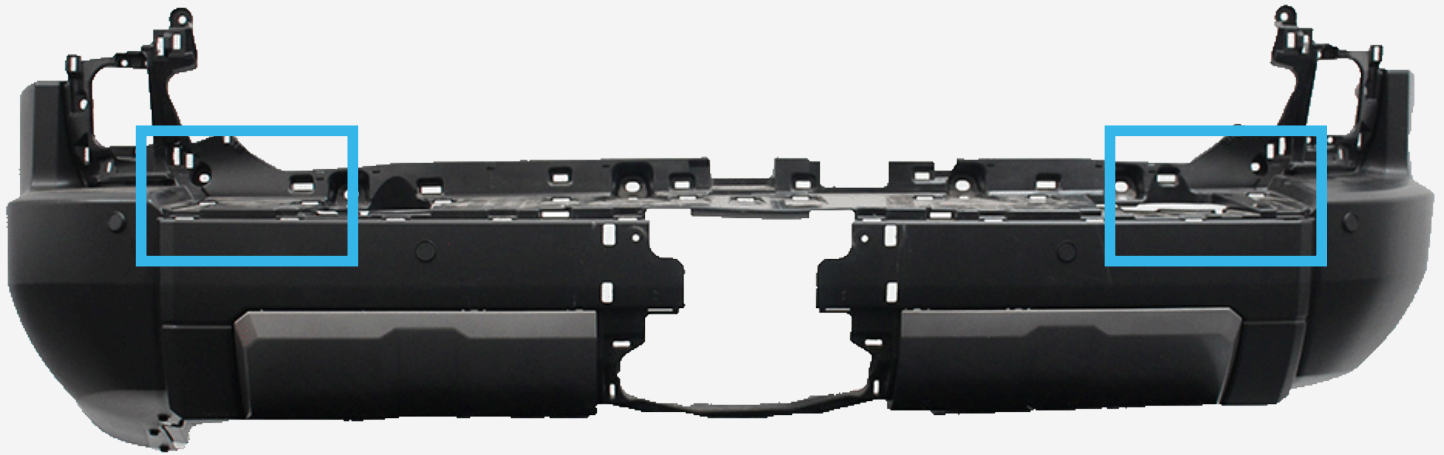
□ STEP 19

Remove the parking sensors from the bezels by prying outwards on the tabs. ****CAUTION: TABS ARE FRAGILE, PRY GENTLY****



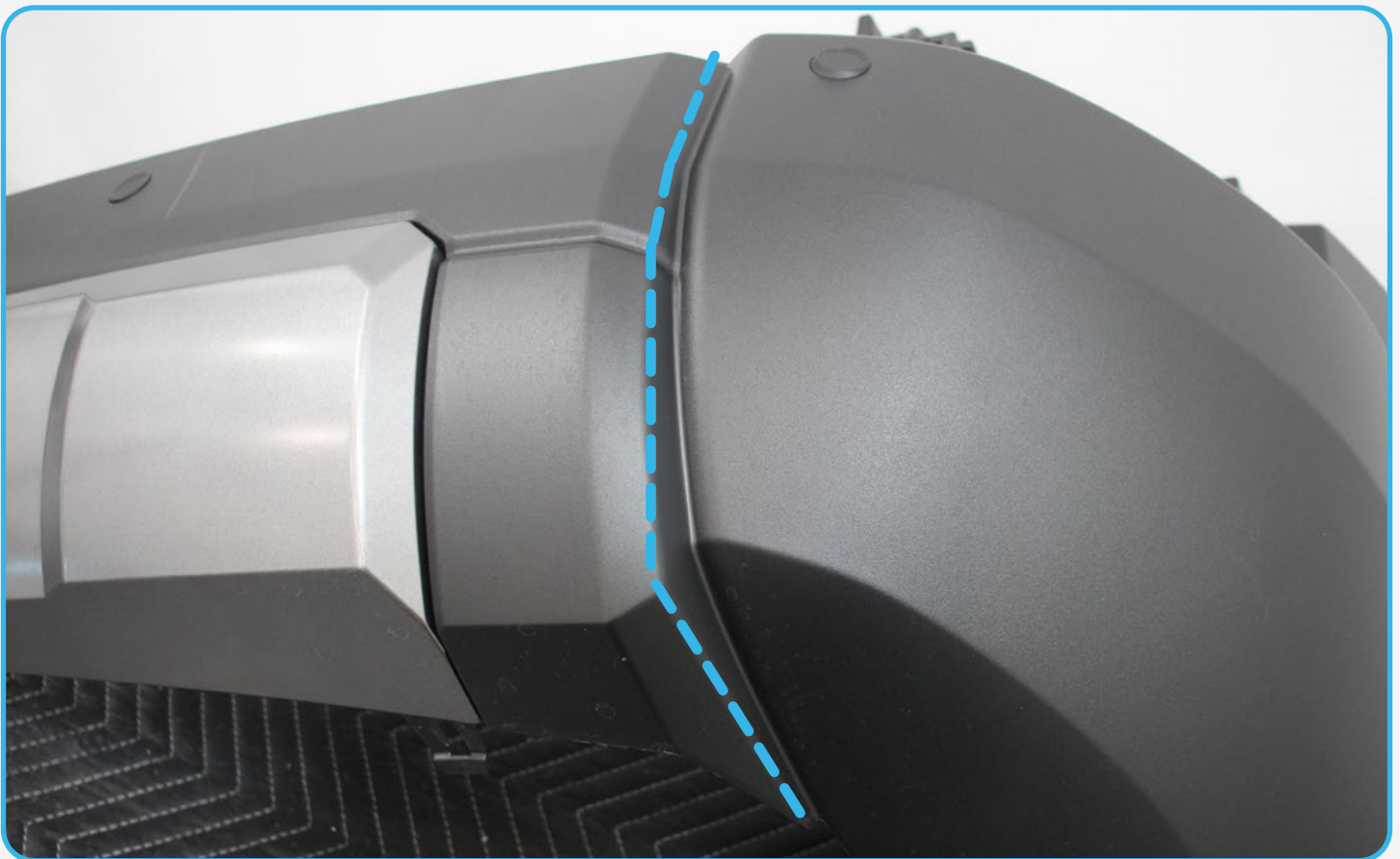
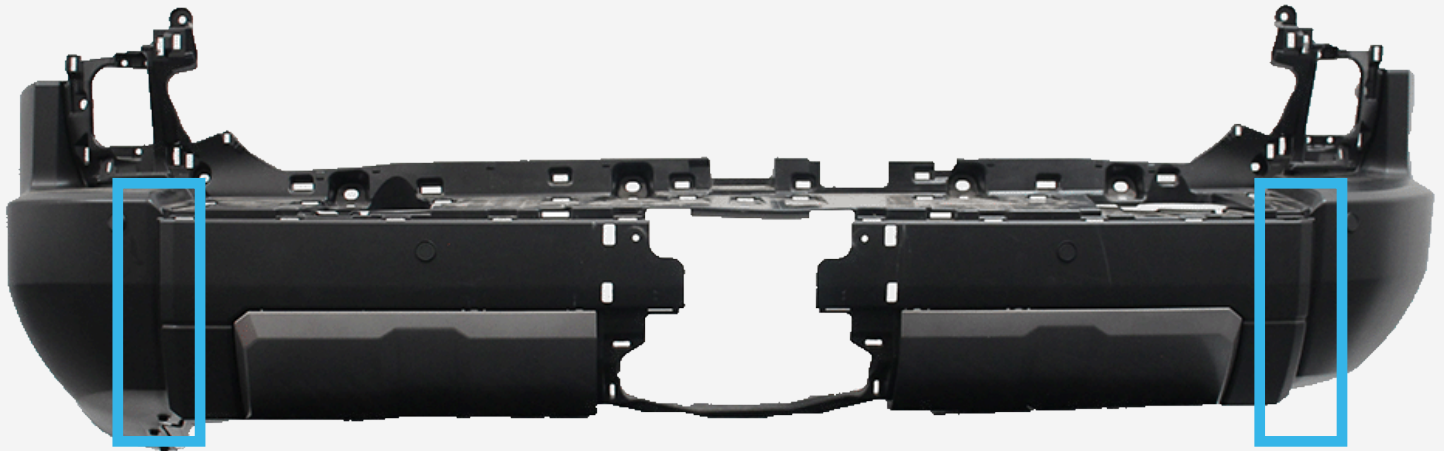
□ STEP 20

Using your choice of cutting tools, cut along the line highlighted below.



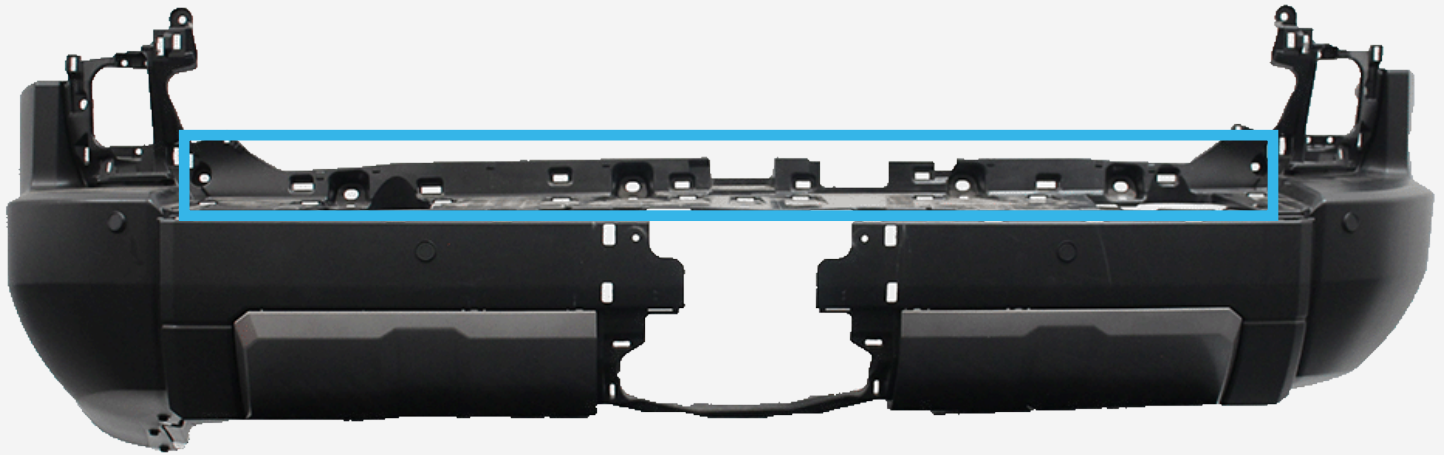
□ STEP 21

Using your choice of cutting tools, cut along the line highlighted below. This cut will be fine tuned later on in the install.



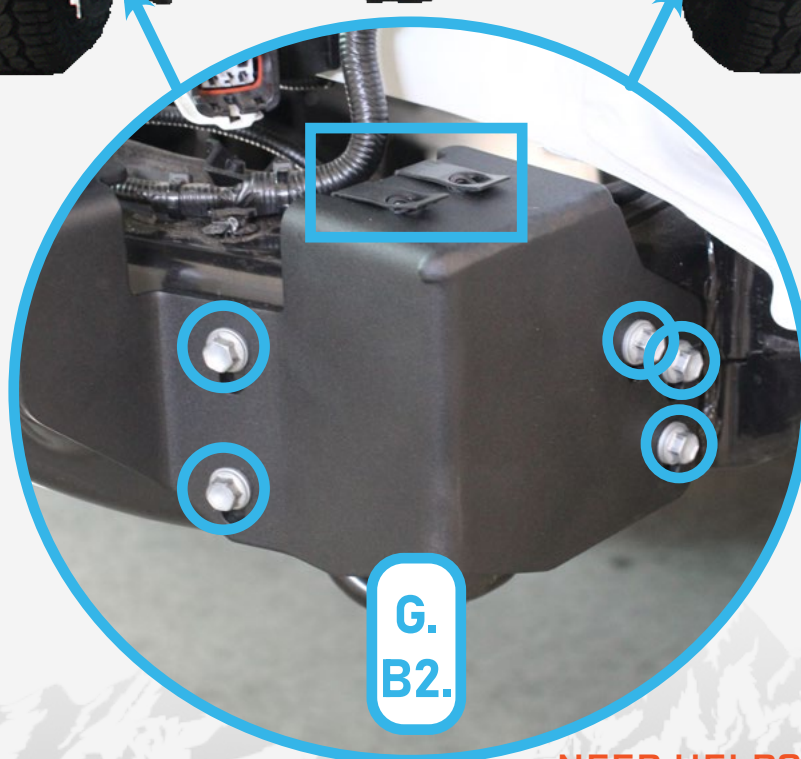
□ STEP 22

Using your choice of cutting tools, cut along the line highlighted below. ****Ensure to cut below the mounting holes as shown below****



□ STEP 23

Install the provided **(G)** mounting plate with the OEM hardware removed from **step 17** using a **(12mm socket)**. Next, install the provided **(B2)** nut clips on top of the mounting plate as shown below.



□ STEP 24

Now would be a good time to install the OEM plastic bumper with the hardware removed from **step 4**. Snap the sides back in from **step 14**.



□ STEP 25

With a helping hand place the bumper on the vehicle and fine tune using a (razor blade).



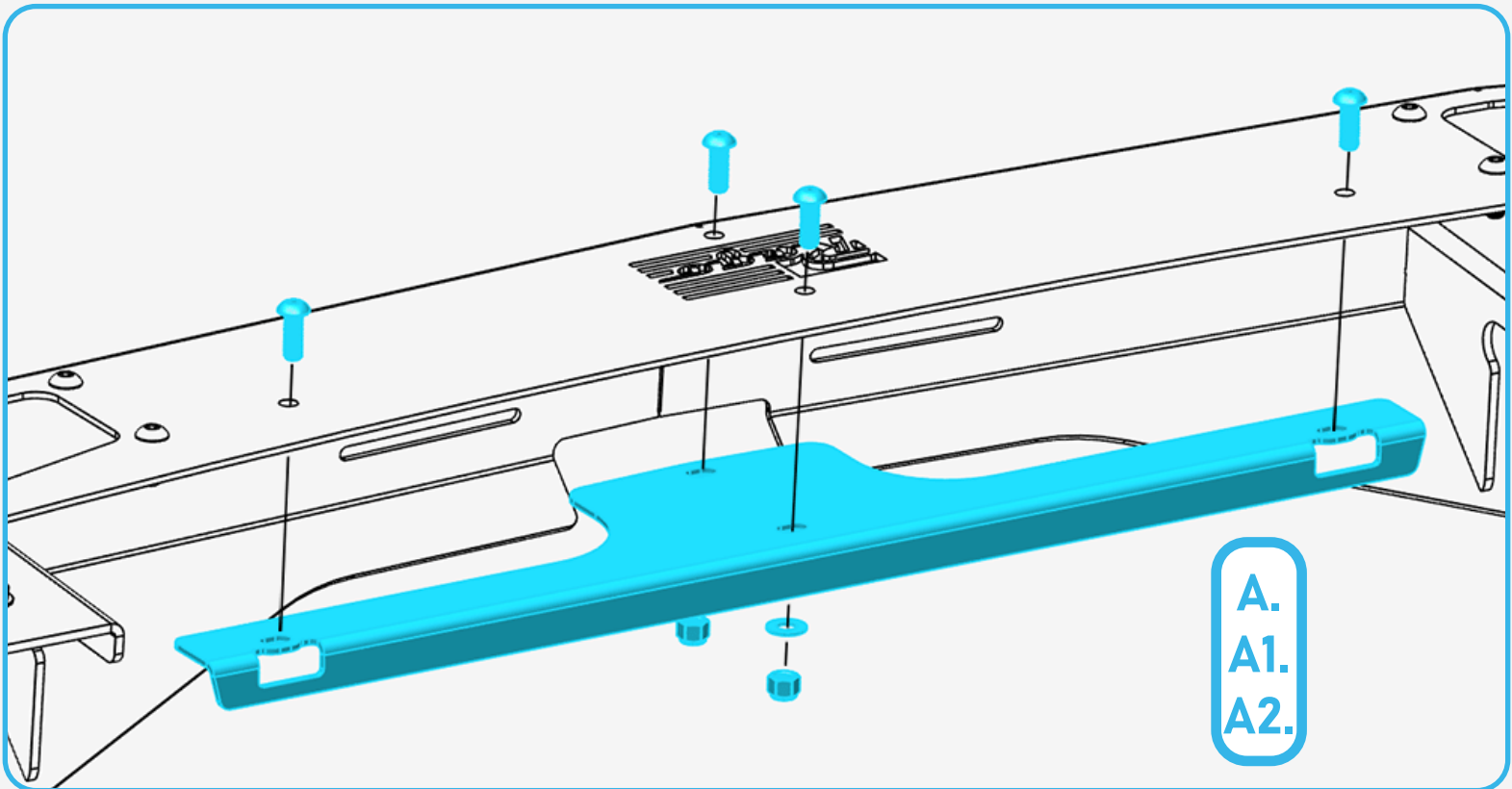
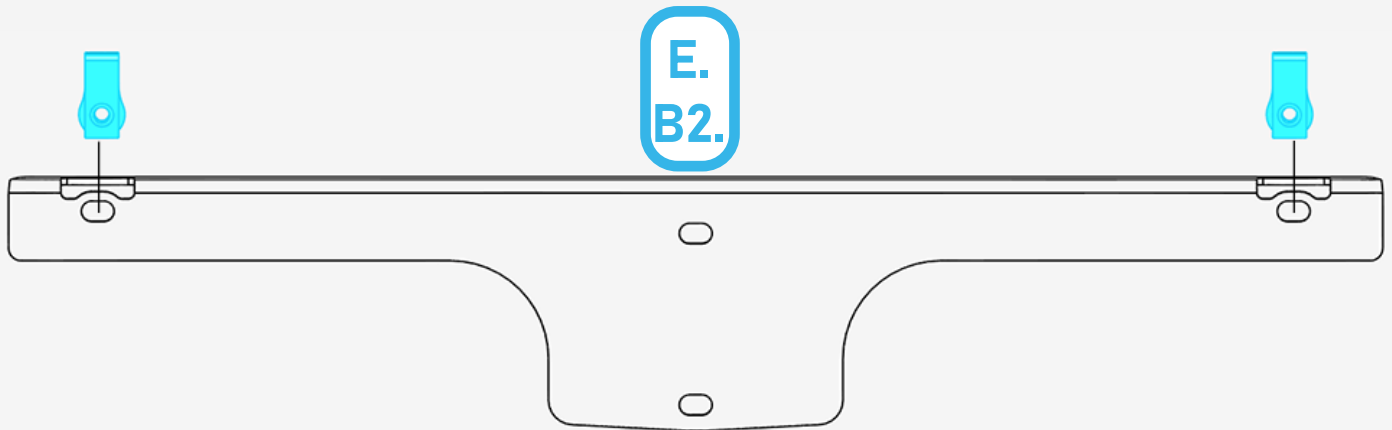
□ STEP 26

After you fine tune your cut, remove the bumper and install the plastic trim removed from **step 3**.



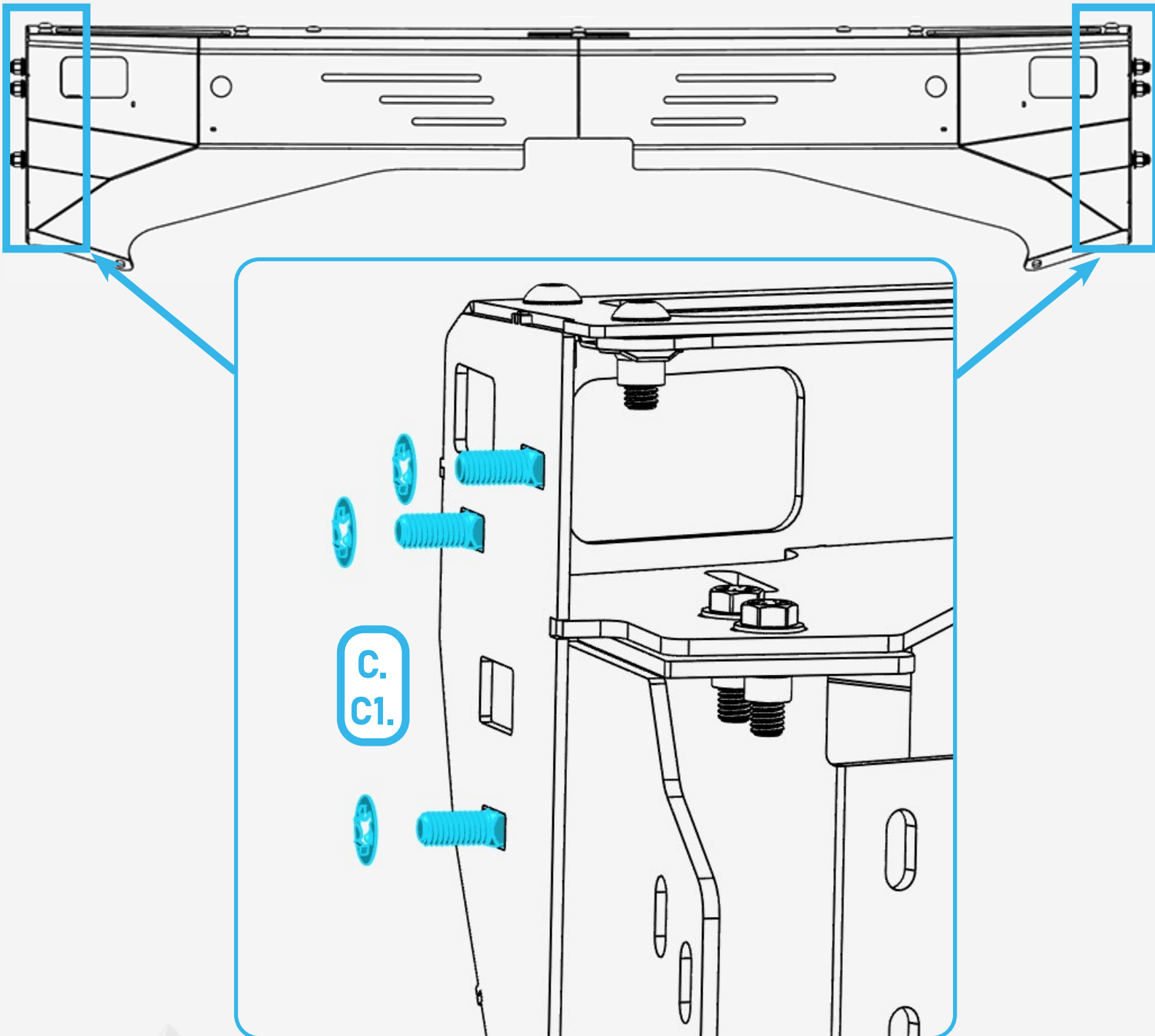
□ STEP 27

Install the provided (B2) nut clips onto the (E) support bracket. Next, Using a (7/32 allen) and a (9/16 wrench), install the (E) support bracket on the bumper as shown below with the provided (A, A1, A2) 3/8" hardware.



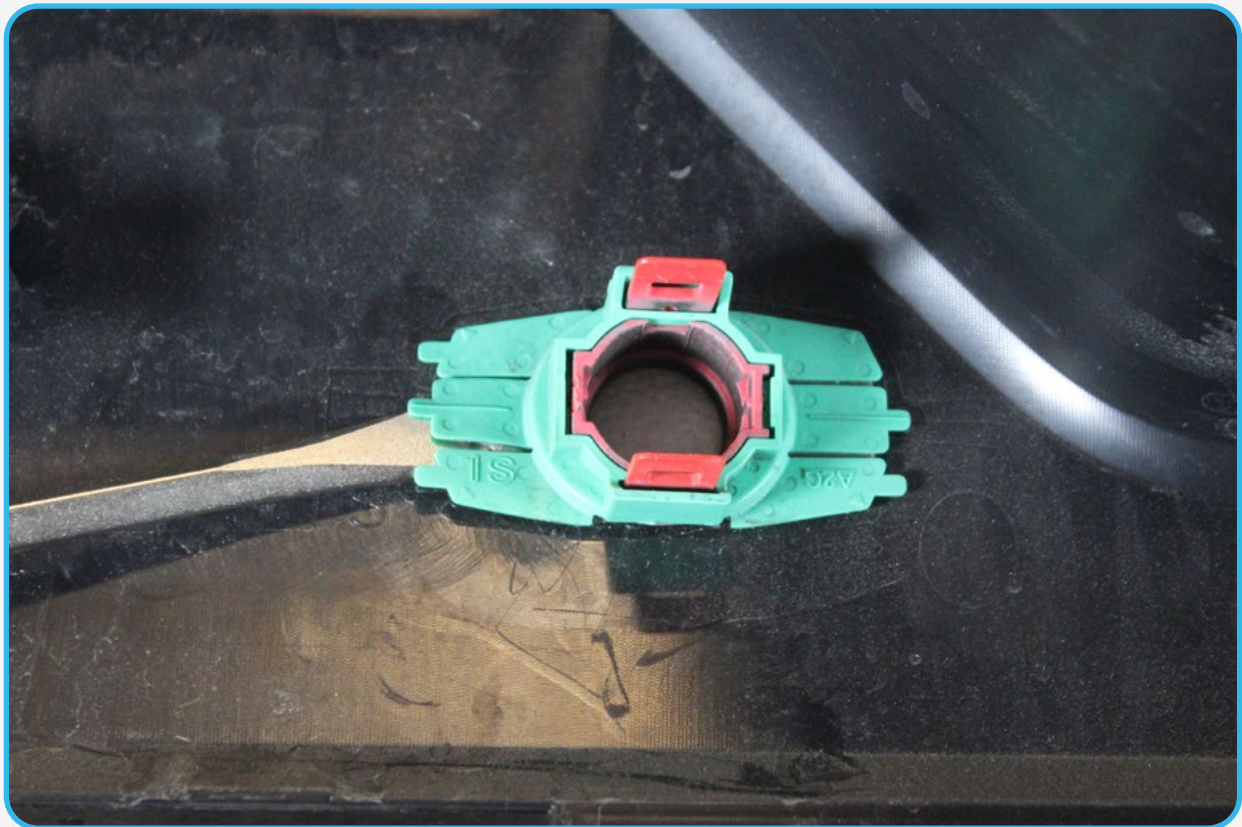
STEP 28

Install the provided **(C, C1)** 3/8" carriage bolts and retaining washers into the side of the bumper pointing outwards as shown below.



□ STEP 29

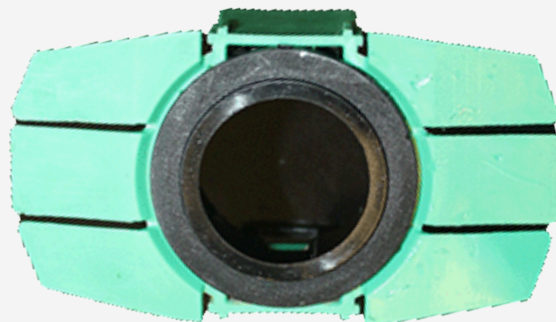
Use a (heat gun) to soften adhesive and use (flathead screwdriver) remove the inner sensor bezels from the OEM bumper. ****Keep for install****



□ STEP 30

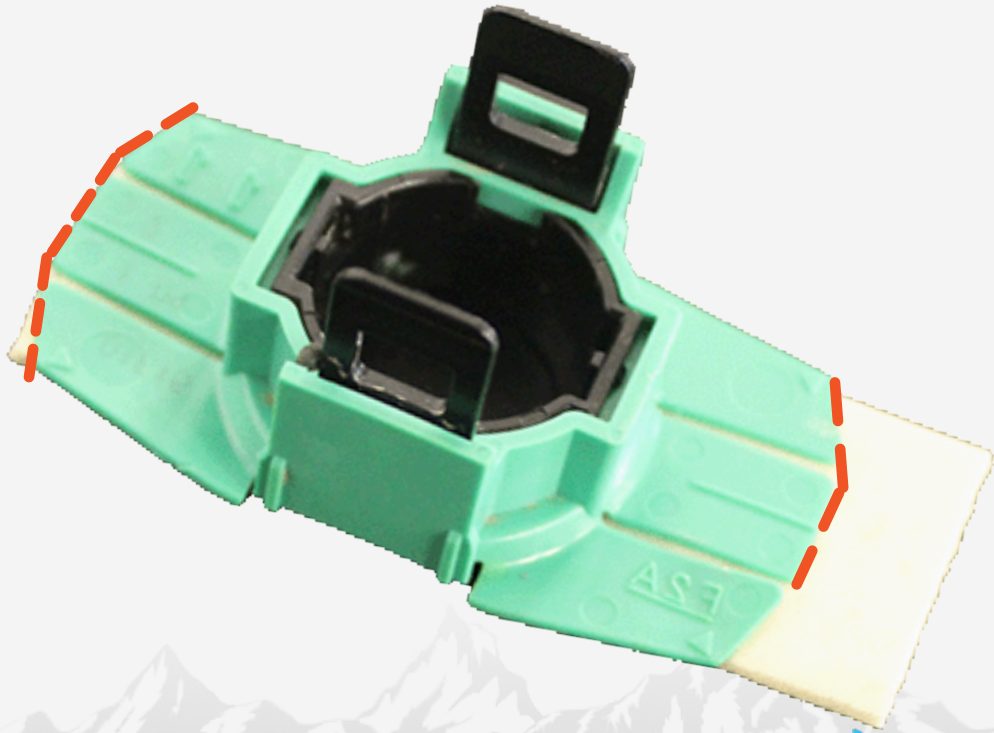
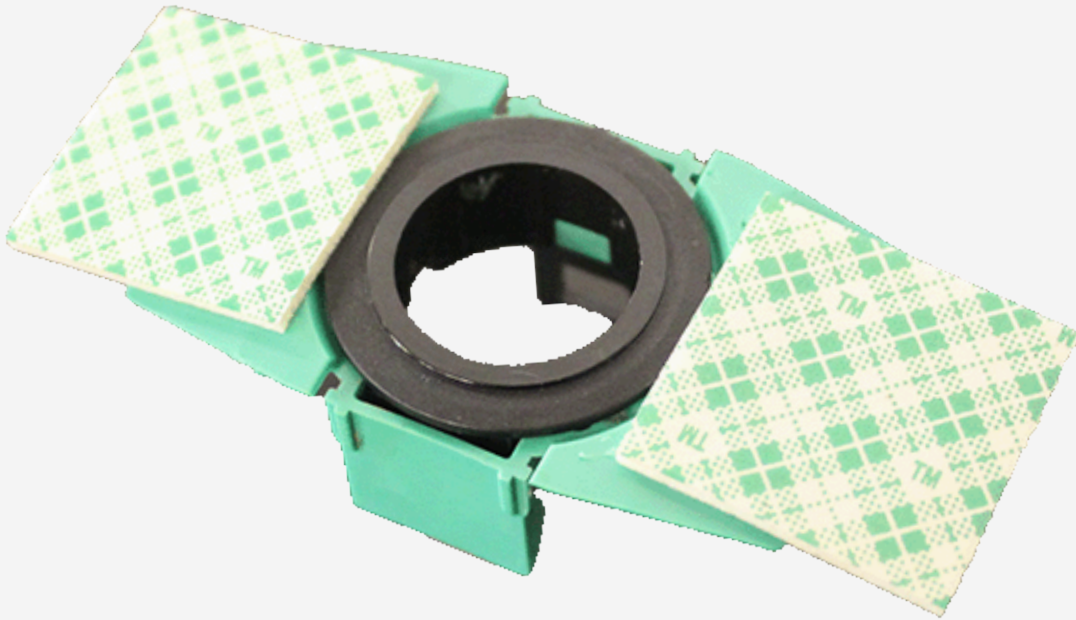
Remove double sided tape from the bezel until the surface is clear of residue.

Tec tip: Use a razor blade or brake clean to remove adhesive.



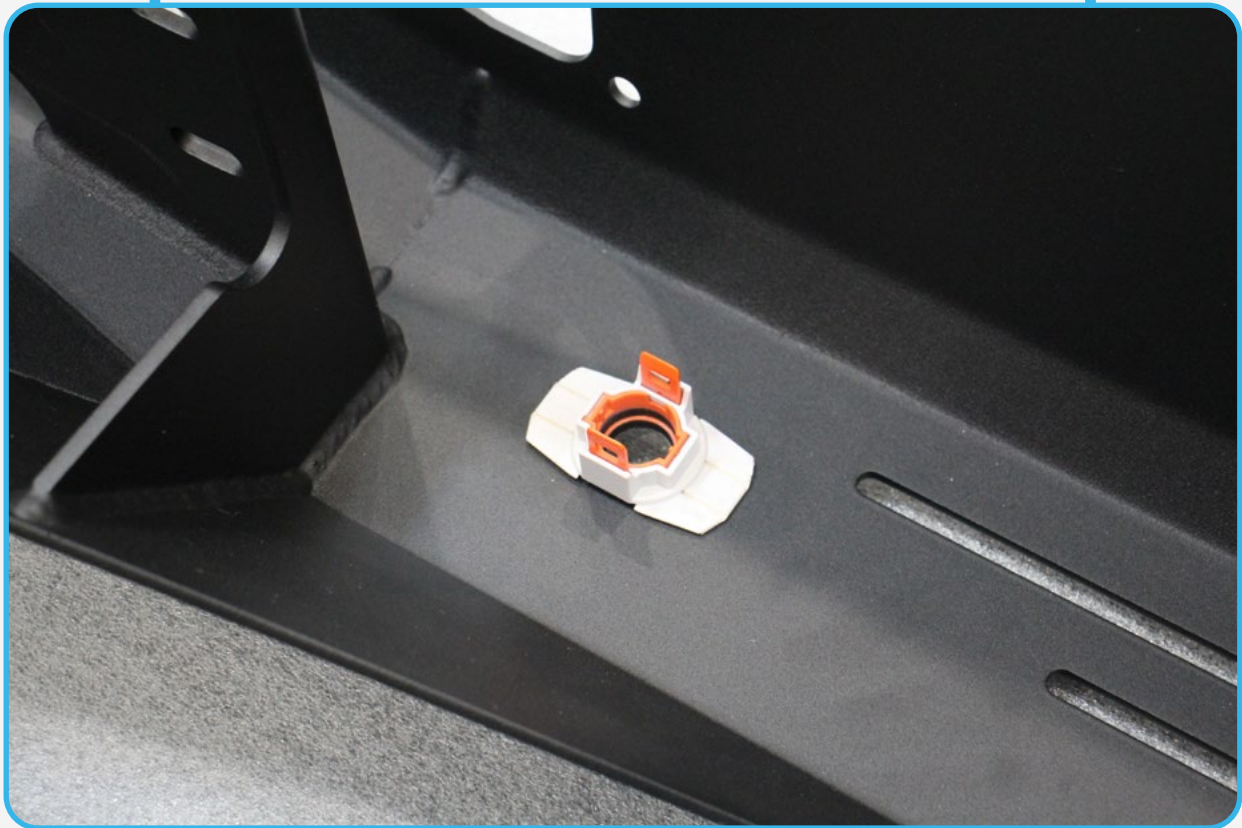
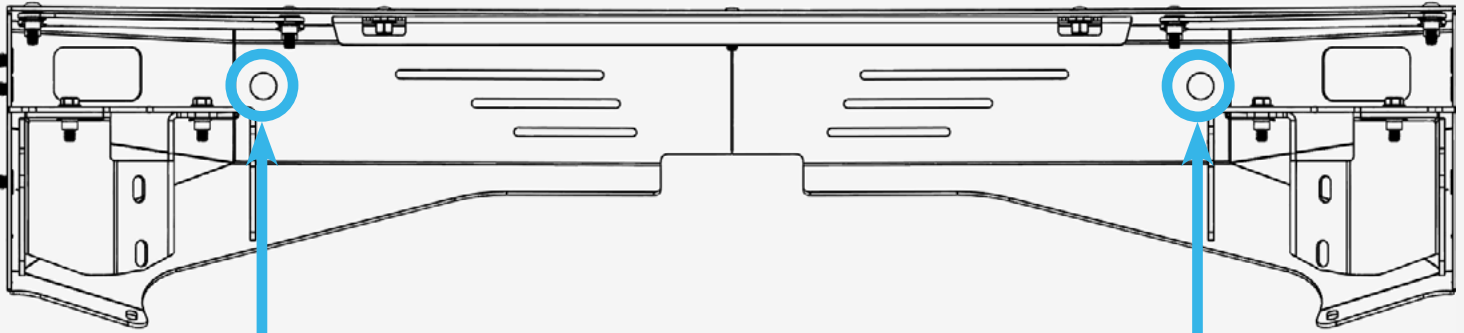
□ STEP 31

Install the provided (D) 3m double sided tape to each side of the bezel wings and trim excess with a (razor blade).



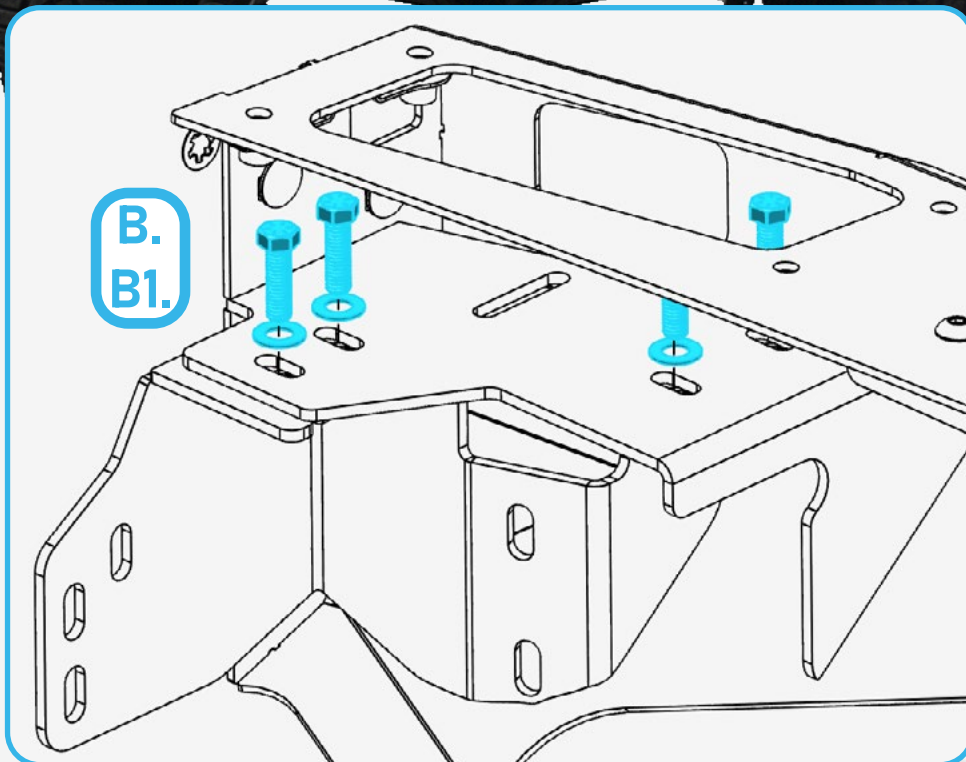
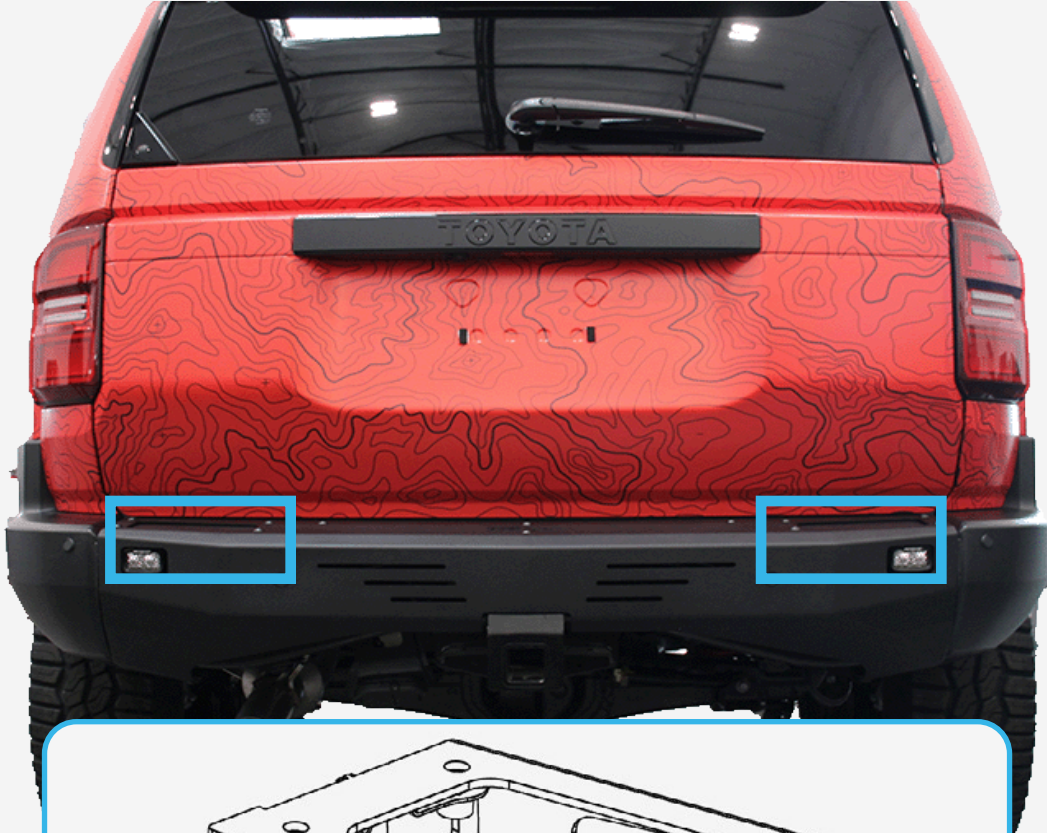
□ STEP 32

Install the sensor bezels in the orientation shown below. ****CAUTION: DOUBLE SIDED TAPE TAKES UP TO 72 HOURS TO CURE FULLY. ENSURE TO CLEAN THE SURFACE FOR BEST RESULTS****



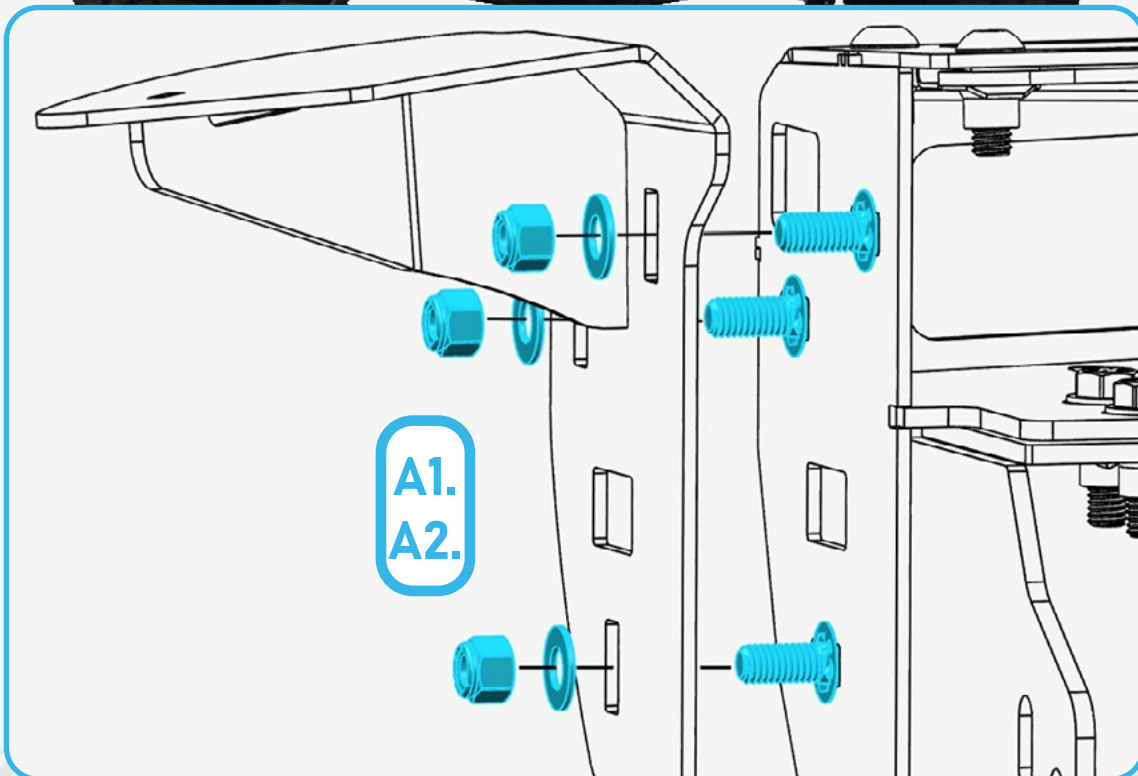
□ STEP 33

You can now install the bumper with the provided **(B, B1)** 3/8" hardware using a **(9/16 socket)**. If you have trouble with installing the bumper with the hardware installed on **step 28**, either pry the sides outwards while installing or remove the hardware and install after the bumper is placed on the truck.



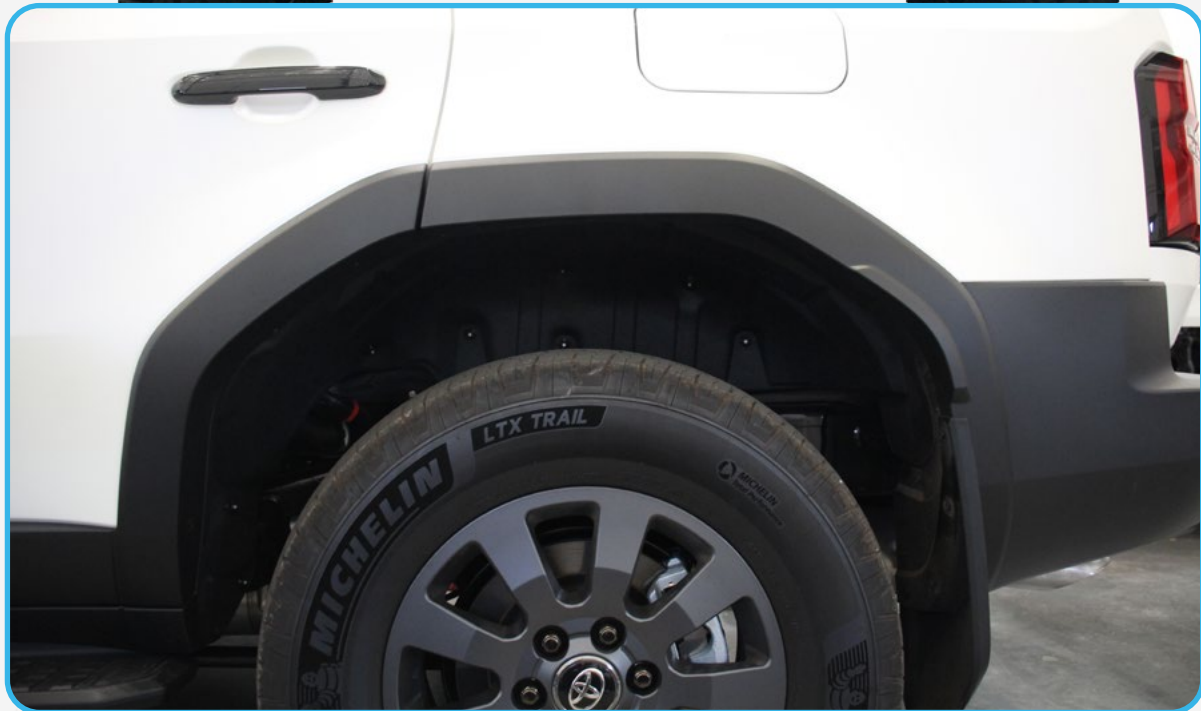
□ STEP 34

Slip the support bracket (H) inside the bumper and into the hardware installed on **step 28**. Next, install the provided (A1, A2) 3/8" hardware using a (9/16 wrench). ****THIS STEP IS OPTIONAL FOR STEP SUPPORT****



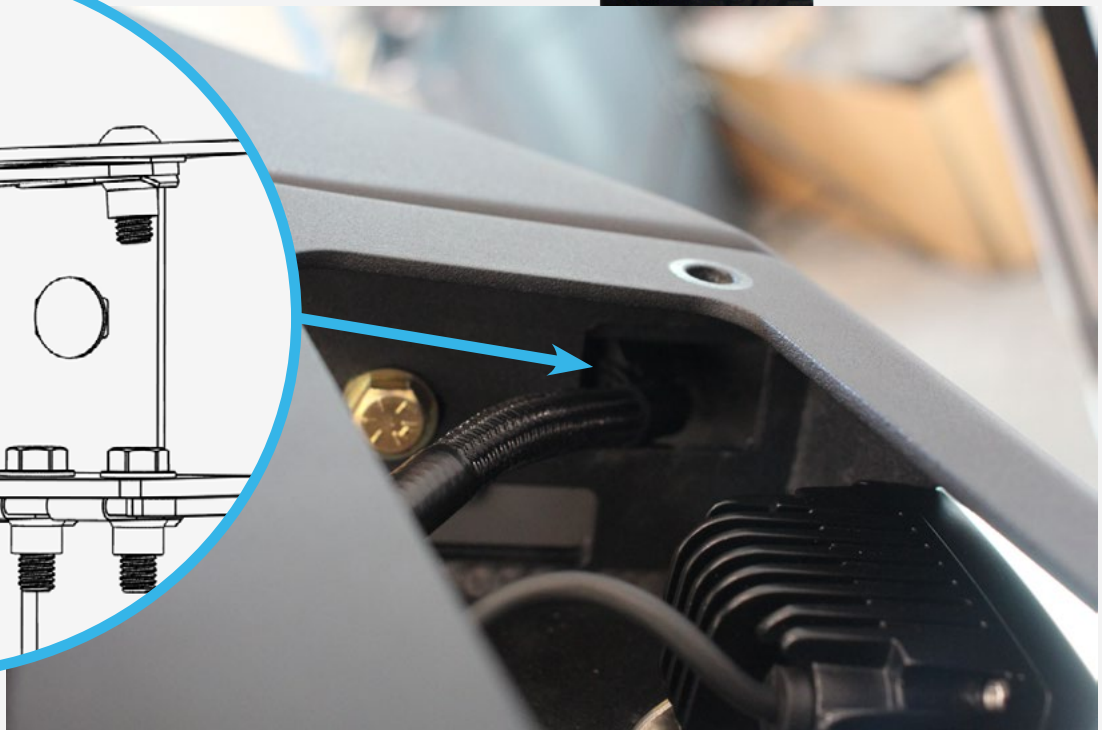
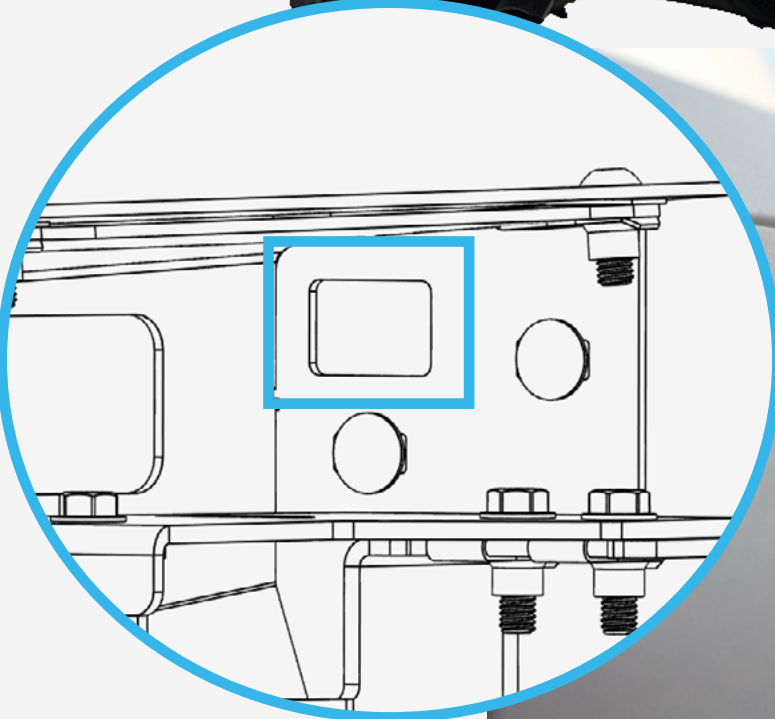
□ STEP 35

Once you are satisfied with the fitment, repeat steps 5-6, 8-14 and 18 to mount the sides and bottom plastic.



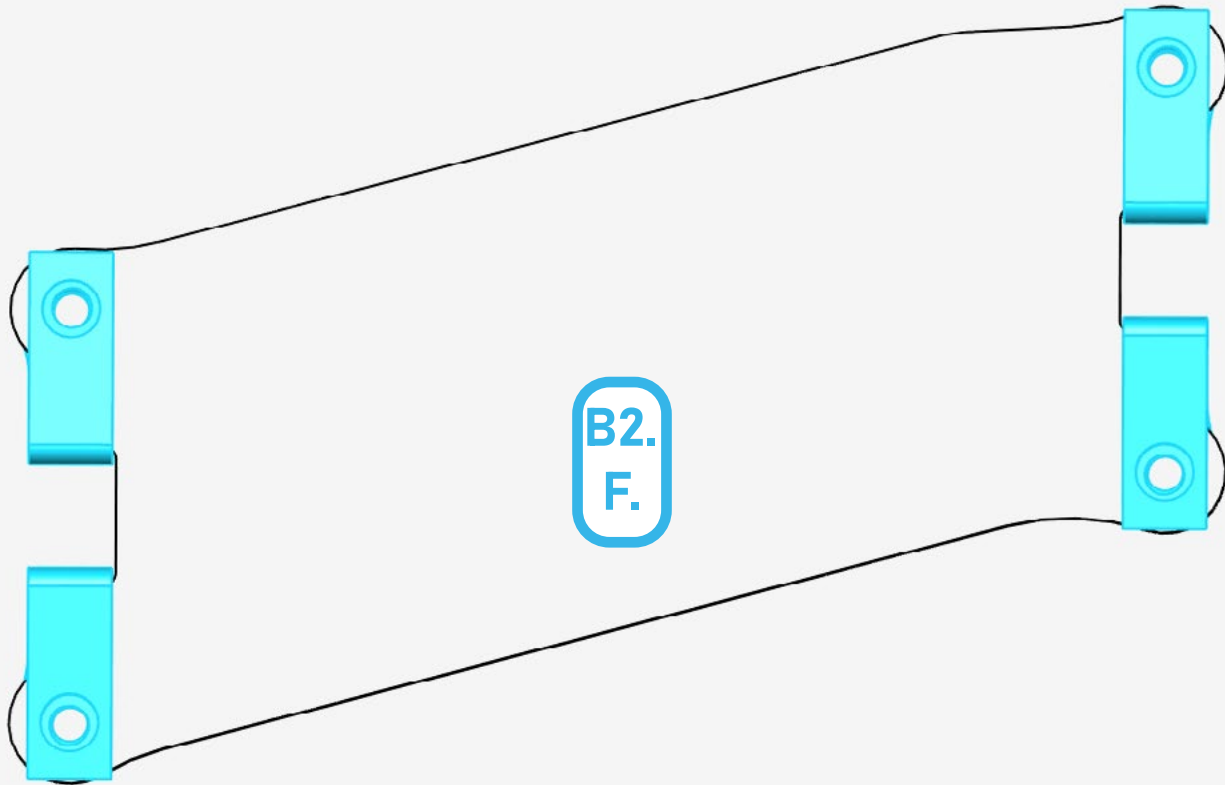
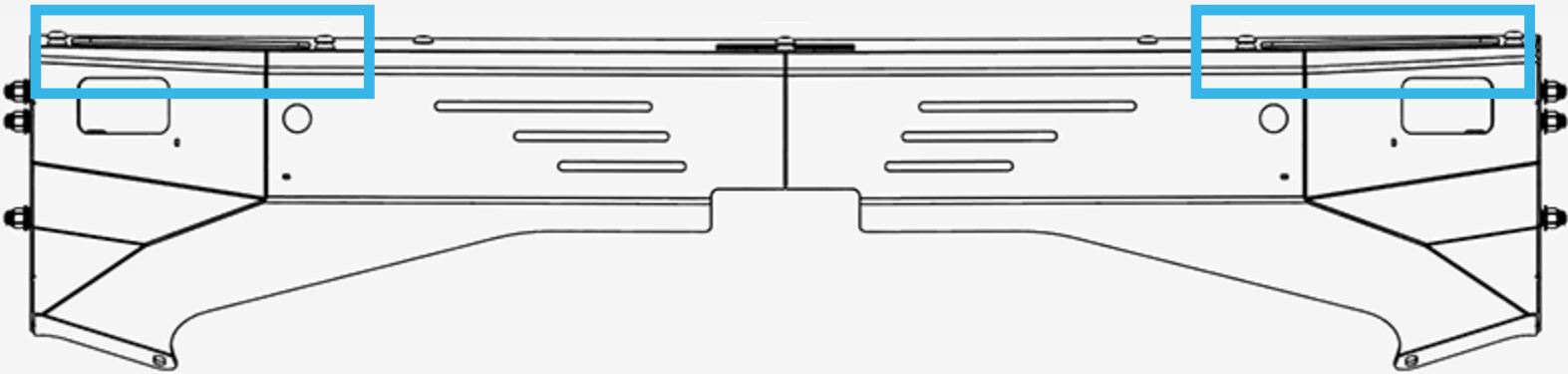
□ STEP 36

Install your sensors into the bezels. For installing the outer sensors, insert into the window cutout located on the side of the bumper as shown below.



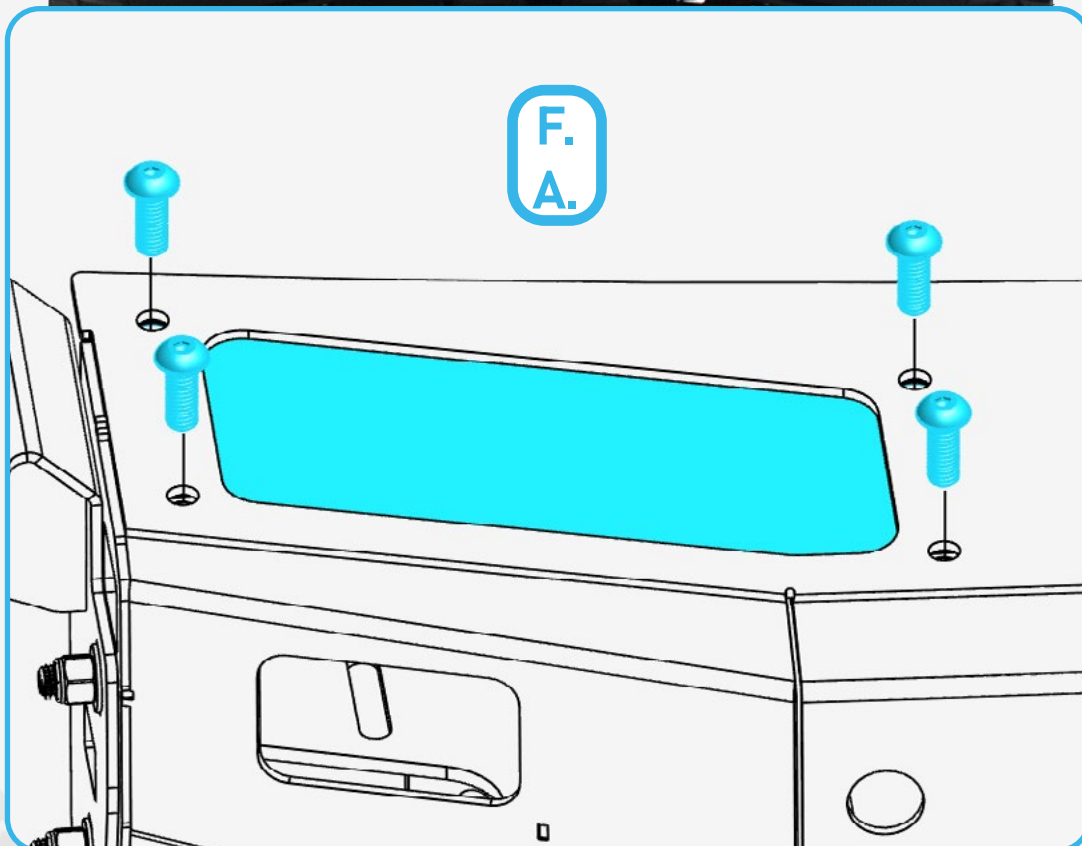
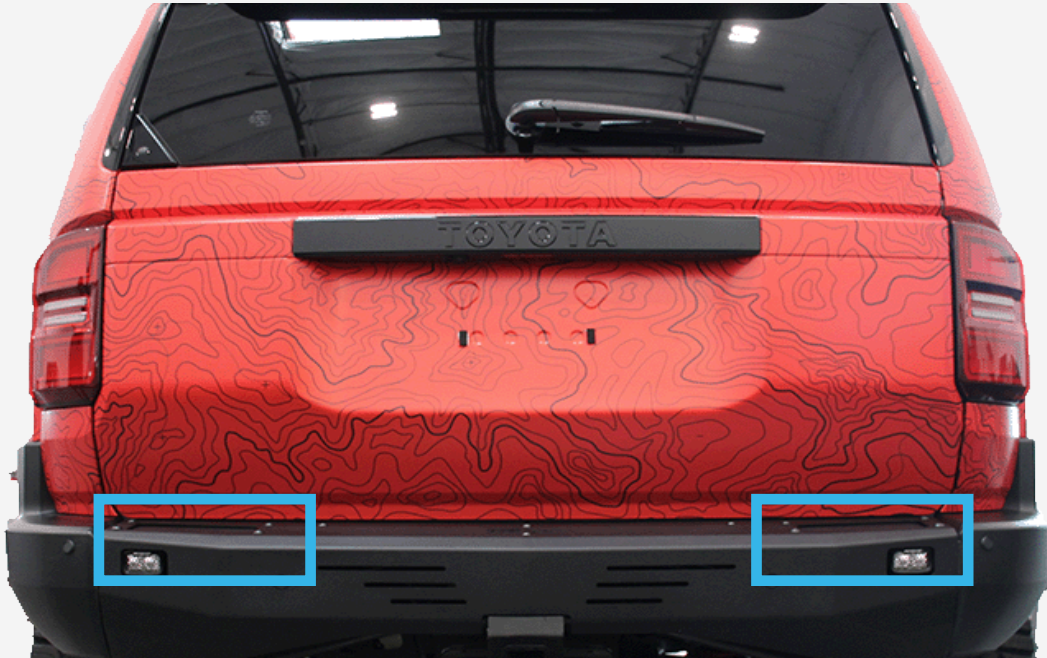
□ STEP 37

Install the provided (B2) nut clips onto the provided (F) cover plate as shown below.



□ STEP 38

Next, install the provided (F) cover plate on top of the bumper and using a (7/32 allen), install the provided (A) 3/8" hardware.



□ STEP 39

Located on the bottom of the bumper, install the OEM hardware removed from **step 18** using a **(10mm socket)**.



STEP 40

Stand back and enjoy your new RAGO Center Mount Rear Bumper.

Check and re-tighten all mounting bolts after 100 miles and periodically thereafter.

