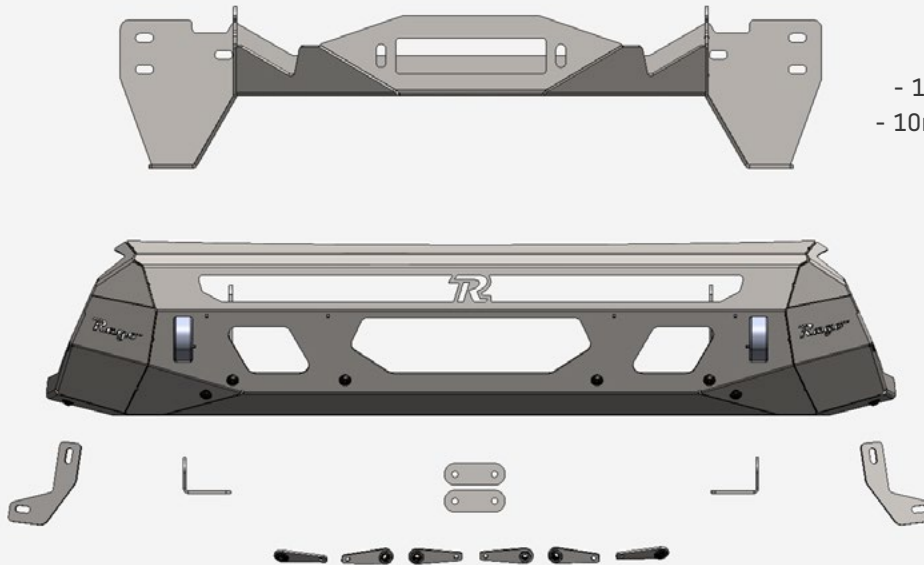


## CENTER MOUNT FRONT BUMPER WITH WINCH

2016-2023/TOYOTA TACOMA

F6803622001NA



### TOOLS REQUIRED

- 10mm, 13mm, 14mm, 17mm, 9/16, 1/2, 3/4 sockets
- 10mm, 13mm, 14mm, 17mm, 9/16, 1/2, 3/4 wrenches
- Pushpin Puller or Flathead Screwdriver
- 7/32, 3/16 Hex
- Razor Blade
- Cutting Tool



### SKILL LEVEL

- Medium/Skilled



### TIME REQUIRED

- Approximately 3.5 Hour

## ⚠ WARNINGS/CAUTIONS BEFORE STARTING INSTALLATION ⚠

-BEFORE YOU INSTALL THIS KIT-

**Read and understand all instructions,** warnings, cautions, & notes contained in this installation instruction guide. Consult your vehicle owner's manual for proper disconnection of electrical and lifting of vehicle if required for installation of this product.

This install may require some technical skills and knowledge of basic mechanical work. If you do not feel that you are capable of performing this install please take this product to a trained professional.

After reading this guide please contact us with any questions or concerns before installing product.

Customer Service: 830-896-7571

Rago Fabrication is not responsible for any bodily injury or harm to you or your vehicle as a result of an improper install.

Proper installation of this kit required knowledge of the factory recommended procedures for removal and installation of original equipment components.

We recommend that the factory shop manual and any special tools needed to service your vehicle be on hand during the installation. Installation of this kit without proper knowledge of the factory recommended procedures may affect the

performance of these components and the safety of the vehicle.

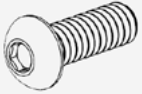
Inspect all contents of this package to make sure product is not damaged and all installation hardware has been included. If parts are missing from kit, please be prepared to provide the following information:

1. Name of purchase location
2. Bar Code on side of box
3. Date above bar code
4. Date inside box cover

**\*ALWAYS WEAR EYE PROTECTION WHEN OPERATING POWER TOOLS\***

## HARDWARE

**A.**



5/16-18 X 1" BUTTON HEAD BOLT

**QTY: 4**

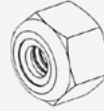
**A1.**



5/16" FLAT WASHER

**QTY: 8**

**A2.**



5/16-18" NYLON LOCK NUT

**QTY: 4**

**B.**



3/8-16 X 1" CARRIAGE BOLT

**QTY: 4**

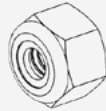
**B1.**



3/8" FLAT WASHER

**QTY: 8**

**B2.**



3/8-16" NYLON LOCK NUT

**QTY: 8**

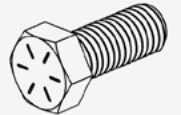
**B3.**



3/8-16 X 1" BUTTON HEAD BOLT

**QTY: 10**

**C.**



1/2-13 X 1 1/2" HEX HEAD BOLT

**QTY: 8**

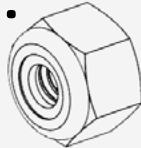
**C1**



1/2" FLAT WASHER

**QTY: 16**

**C2.**



1/2-13" NYLON LOCK NUT

**QTY: 8**

**D.**



UUS0089

**QTY: 6**

**E.**



SPL0726

**QTY: 2**

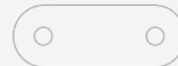
**F.**



SPL0725

**QTY: 2**

**G.**



SPL0728

**QTY: 2**

Reference this page throughout the install

NEED HELP?



**(830) 896-7571**

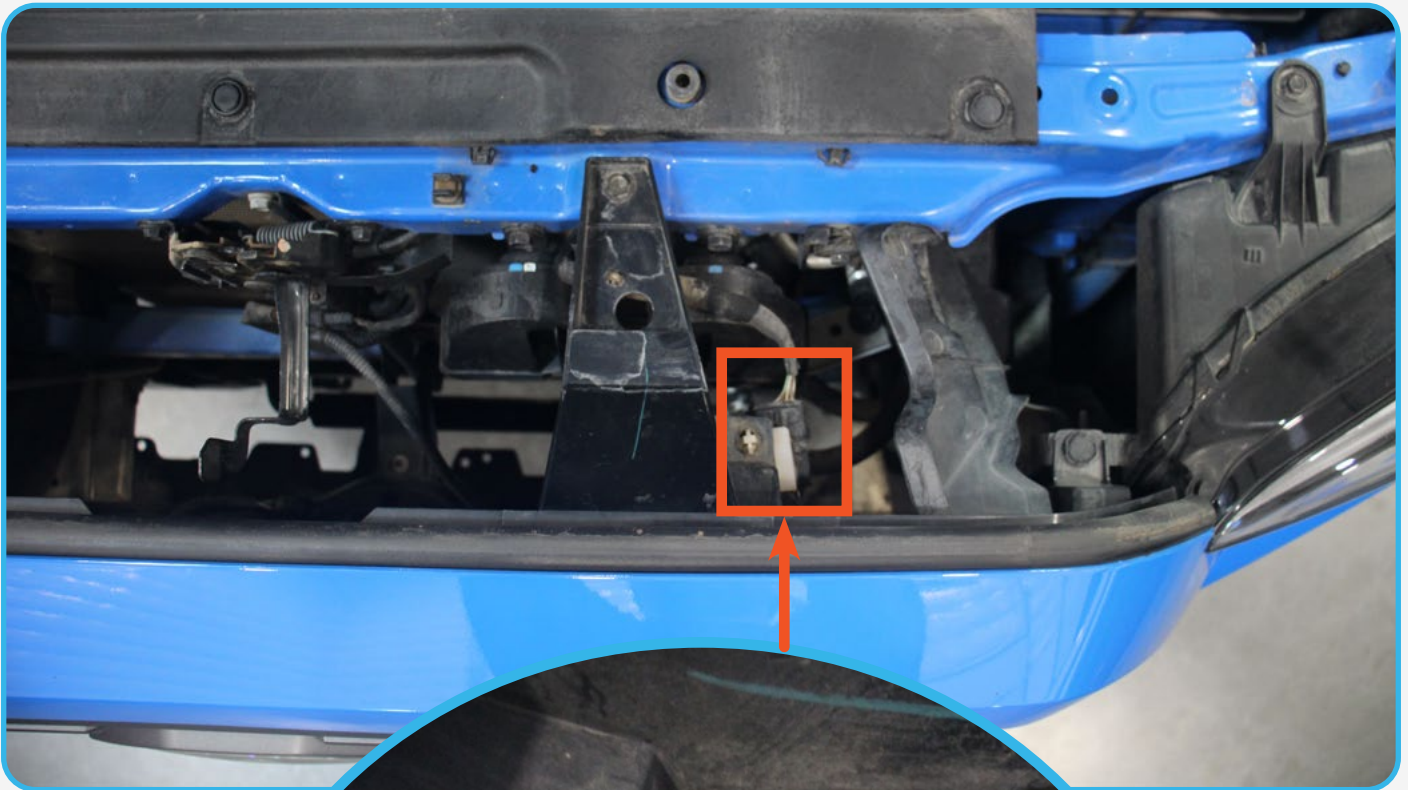
## □ STEP 1

Using a (10mm socket) remove the hardware located on top of the grill.



## □ STEP 2

Next, Unplug the wire harness located on the top of the grill on driver side.



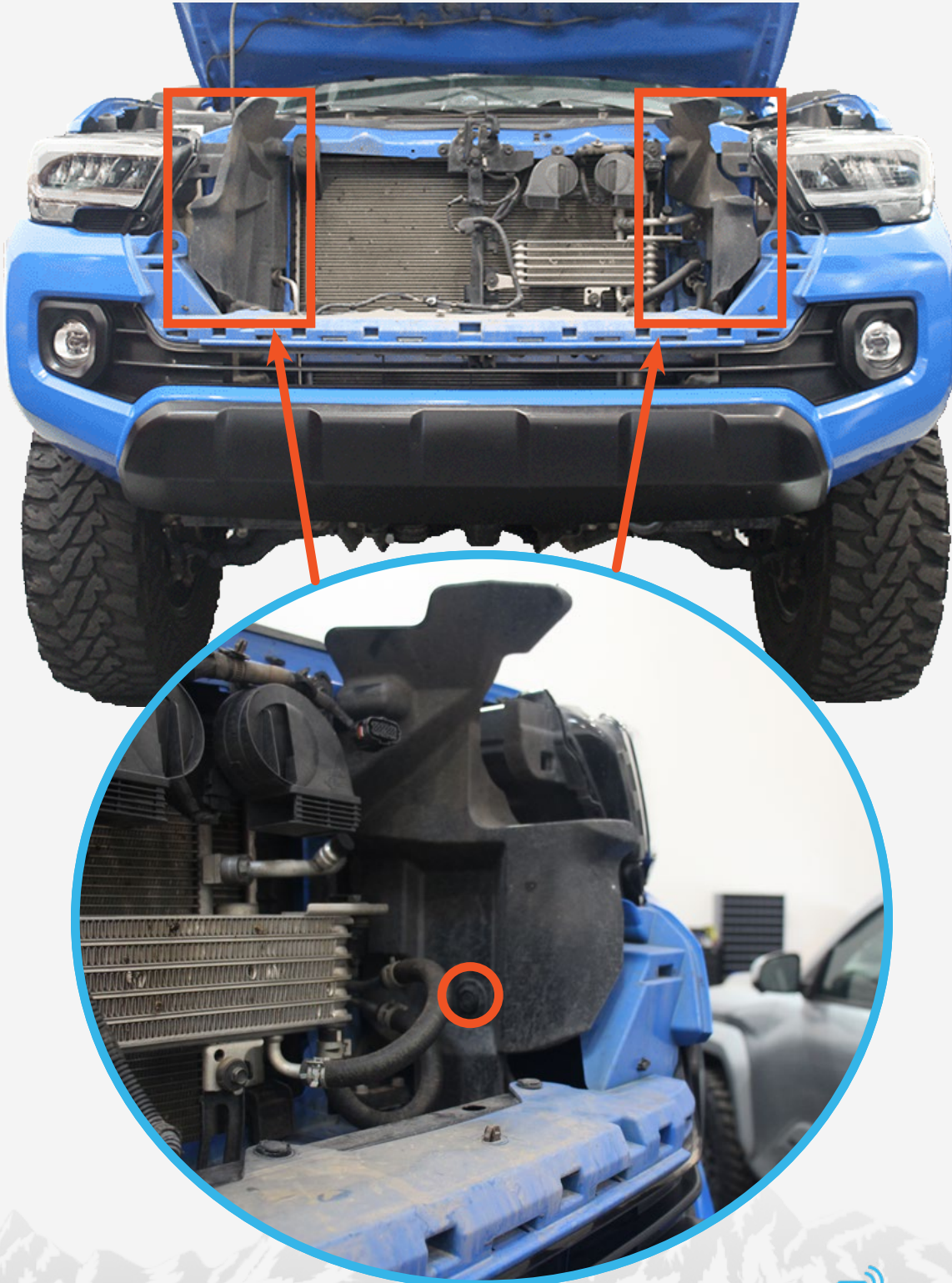
## □ STEP 3

Remove the pushpin located on top of the grill on both sides.



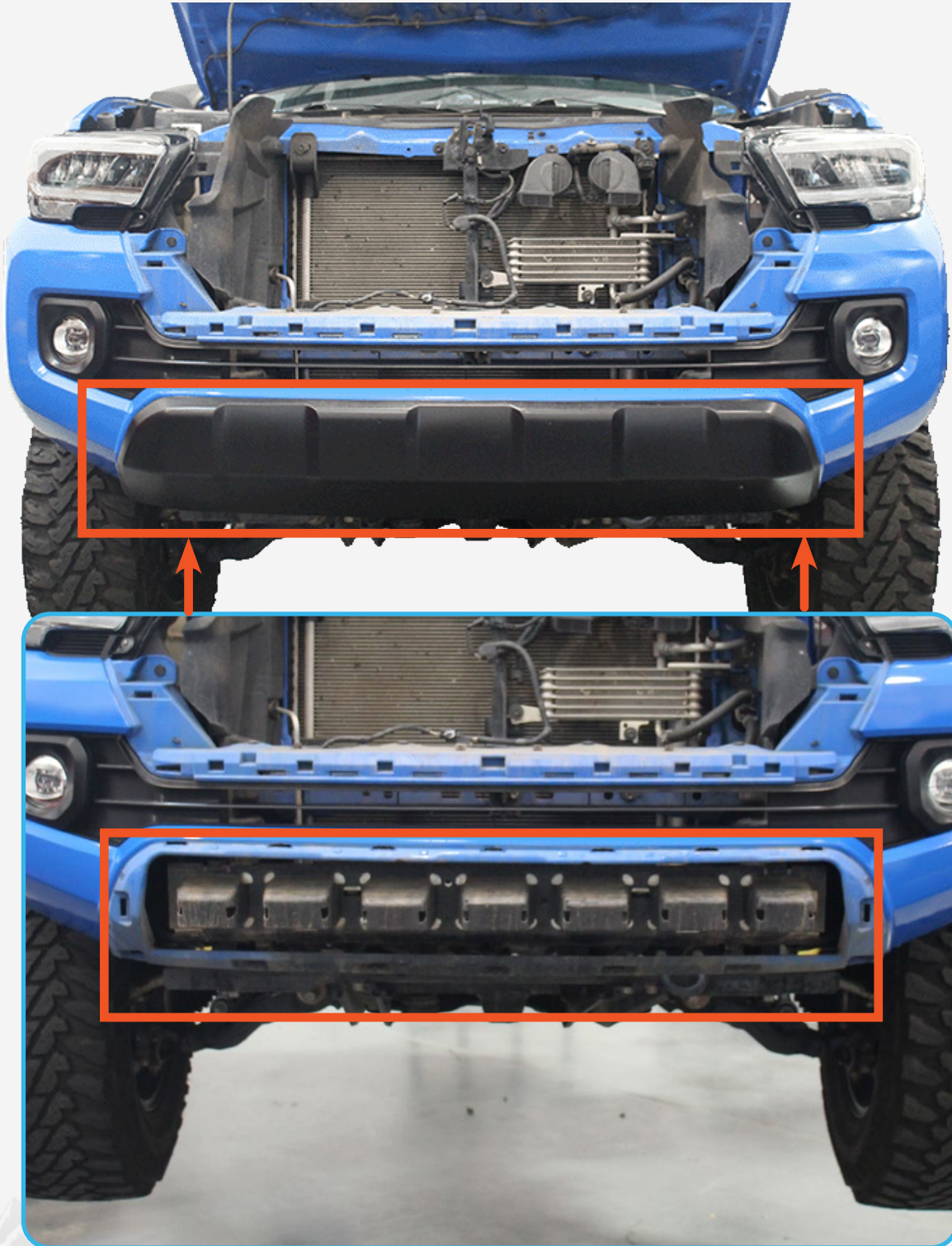
## □ STEP 4

Remove the push pins holding the plastic covers located on both driver and passenger.



## □ STEP 5

Remove plastic center cover from the bumper by pulling.



**STEP 6**

Remove the plastic located on the front of the crash bar.





**STEP 7**

Using a (14mm socket) remove the nuts holding the crash bar to the frame horns. **(KEEP HARDWARE)**



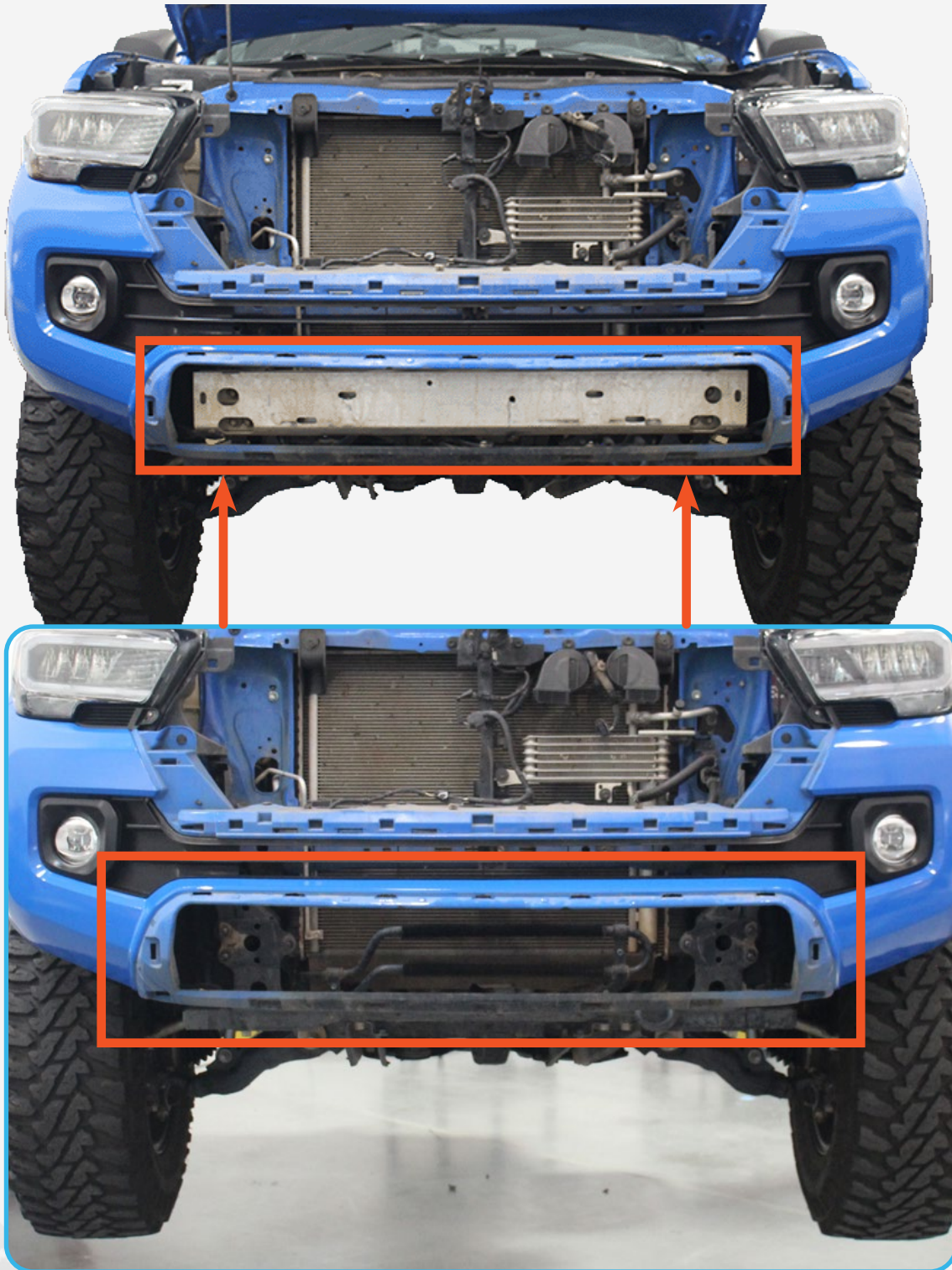
## □ STEP 8

Using a (10mm socket) remove the screws holding the crash bar to the valence.



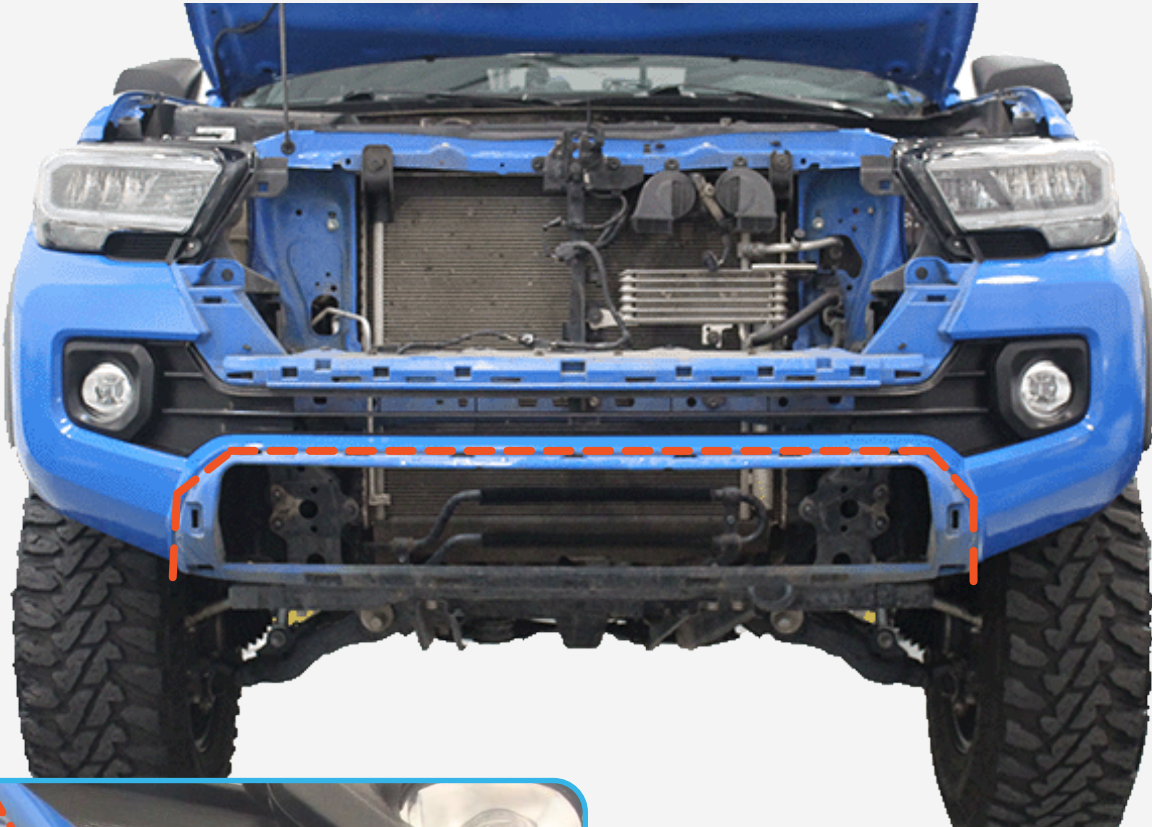
**STEP 9**

You can now remove the crash bar.



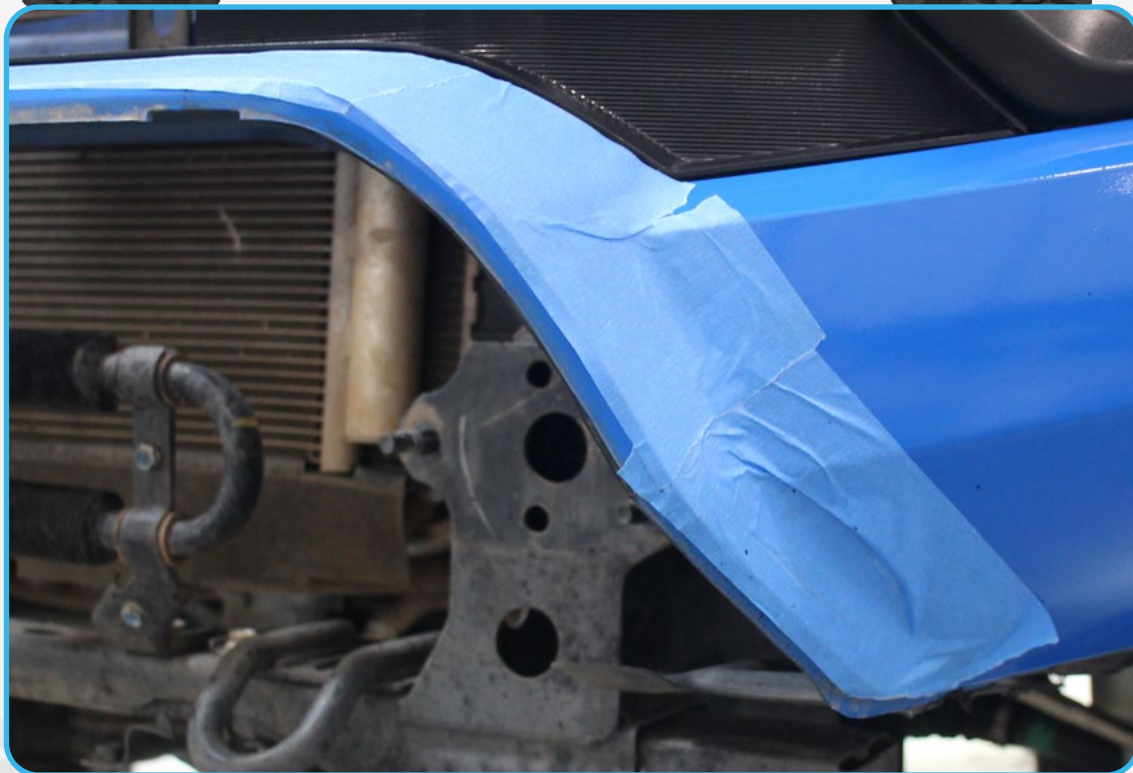
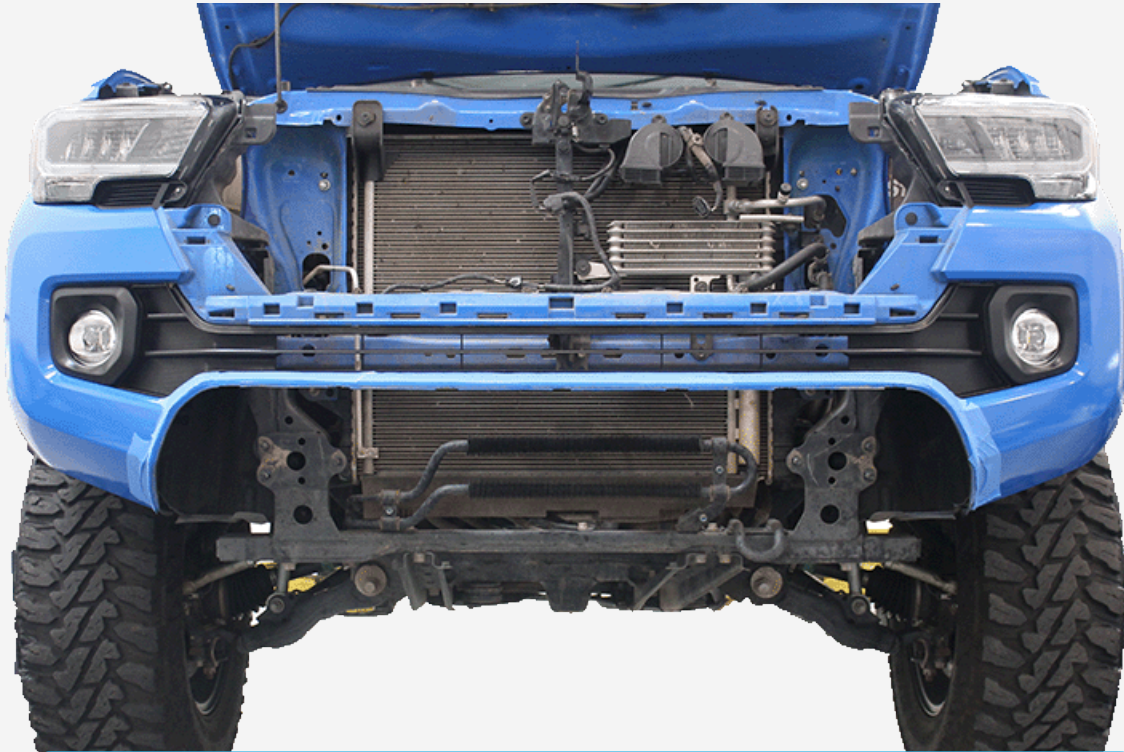
## □ STEP 10

With your choice of cutting tools, cut out the center section of the valence as shown below following the extruded edge.



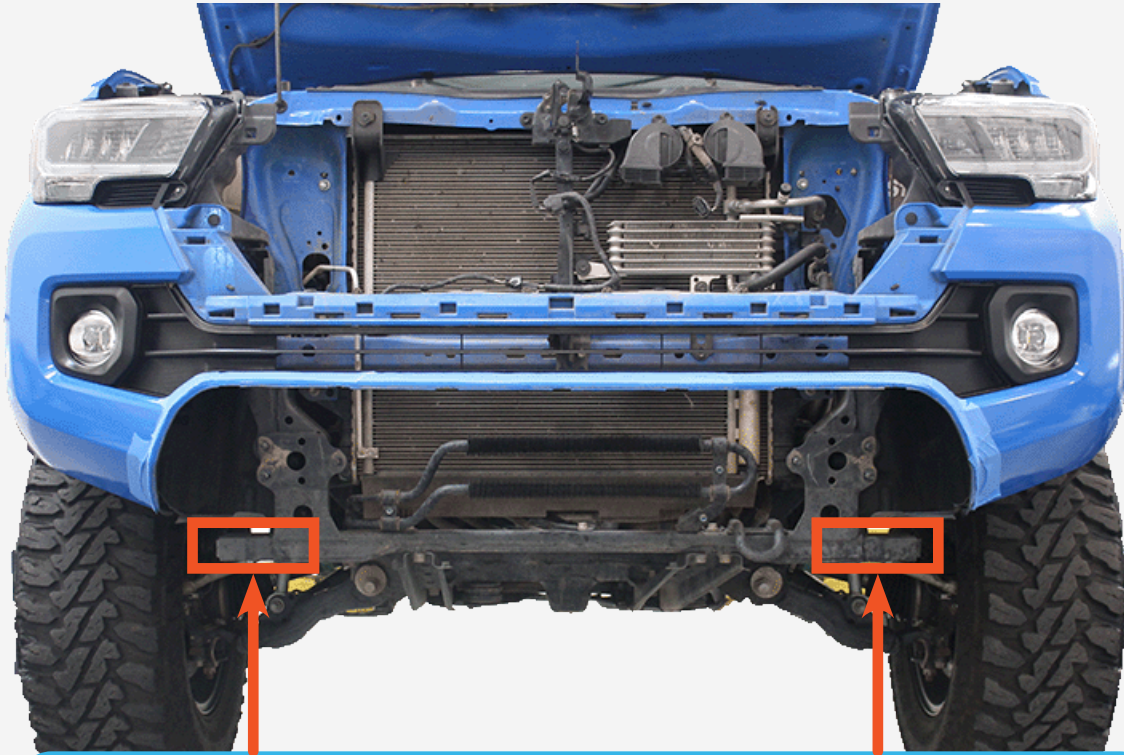
## STEP 11

Using a (razor blade) clean any rough edges.



**STEP 12**

Using a (17mm socket), remove the frame extensions.



## □ STEP 13

Using a (13mm socket), remove the hardware holding the power steering cooler.



**STEP 14**

Using a (13mm socket), remove the hardware holding the power steering cooler located through the wheel well as shown below.





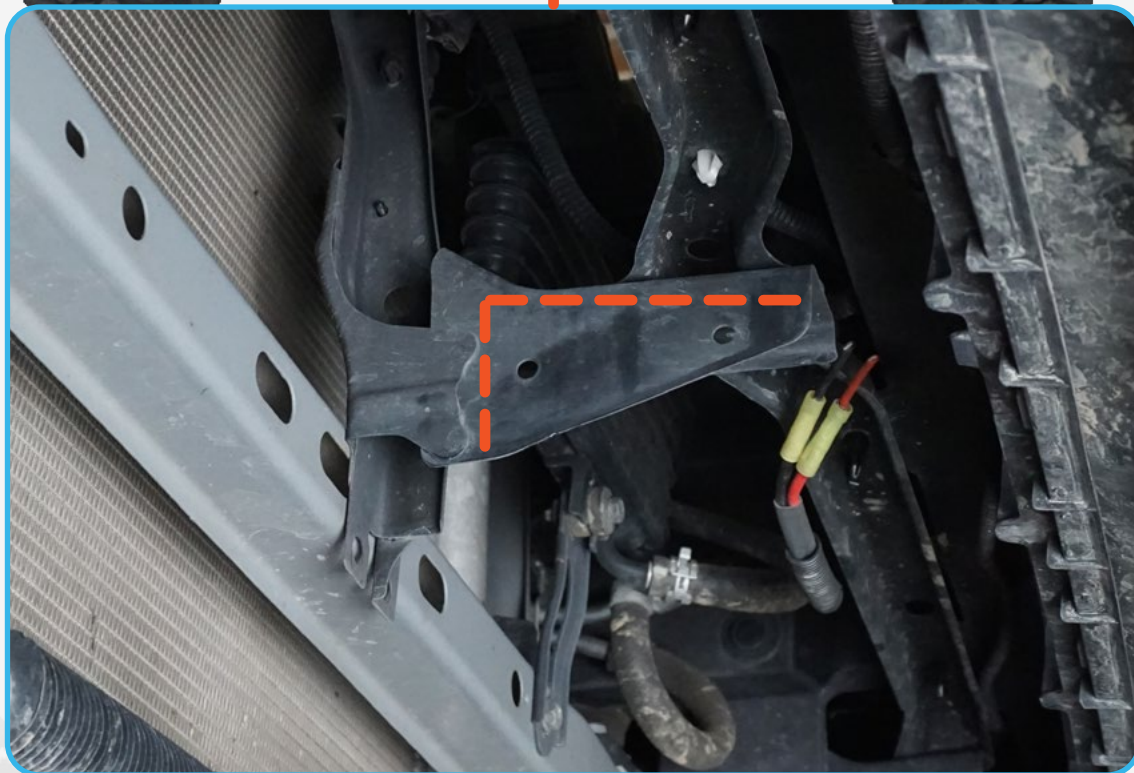
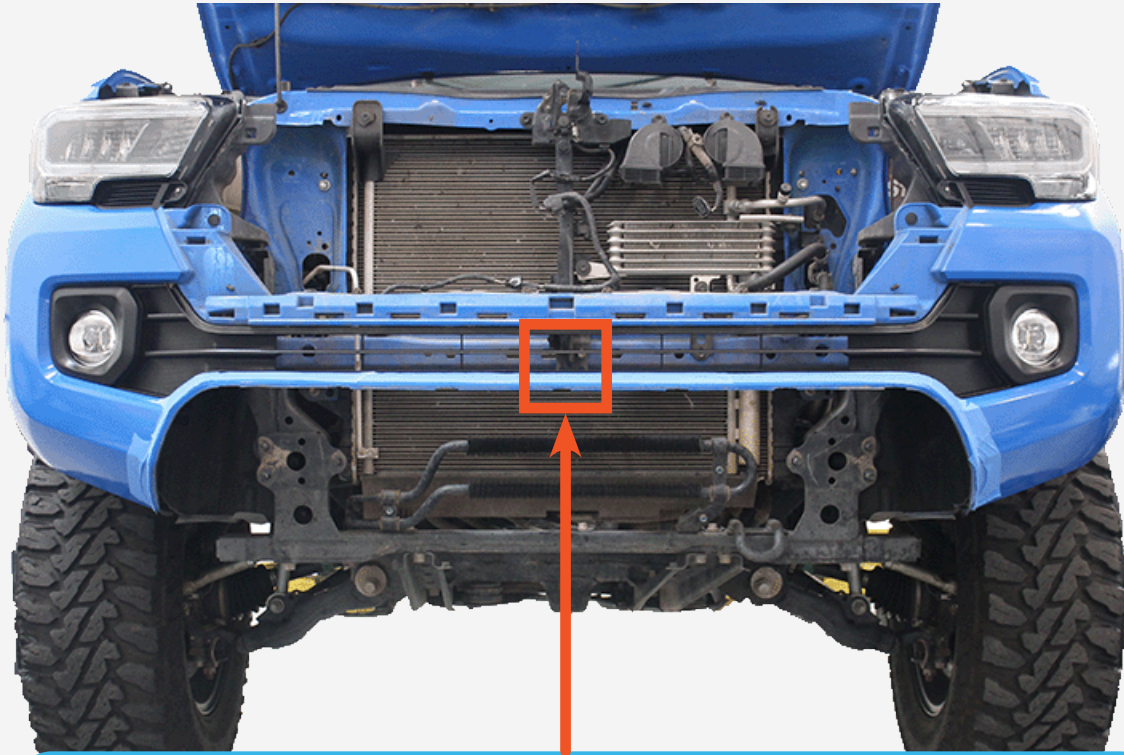
## □ STEP 15

Install the provided **(G)** relocation bracket with the OEM hardware removed from **step 13** then install the provided **(A, A1, A2)** with a **(3/16 allen)** and a **(1/2 socket)**.



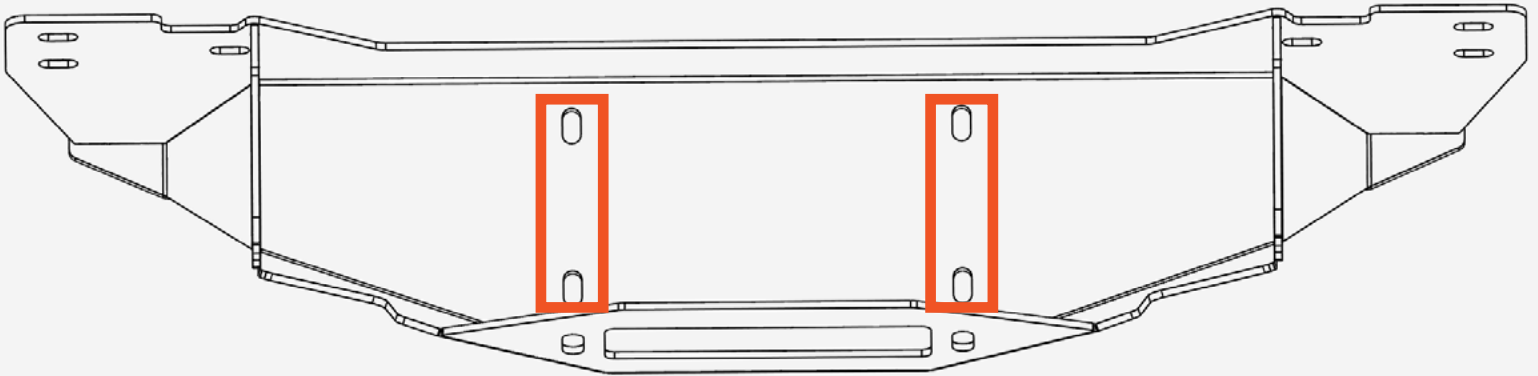
## □ STEP 16

With your choice of cutting tools, cut the support bracket located above the power steering cooler as shown below to provide clearance for the winch.



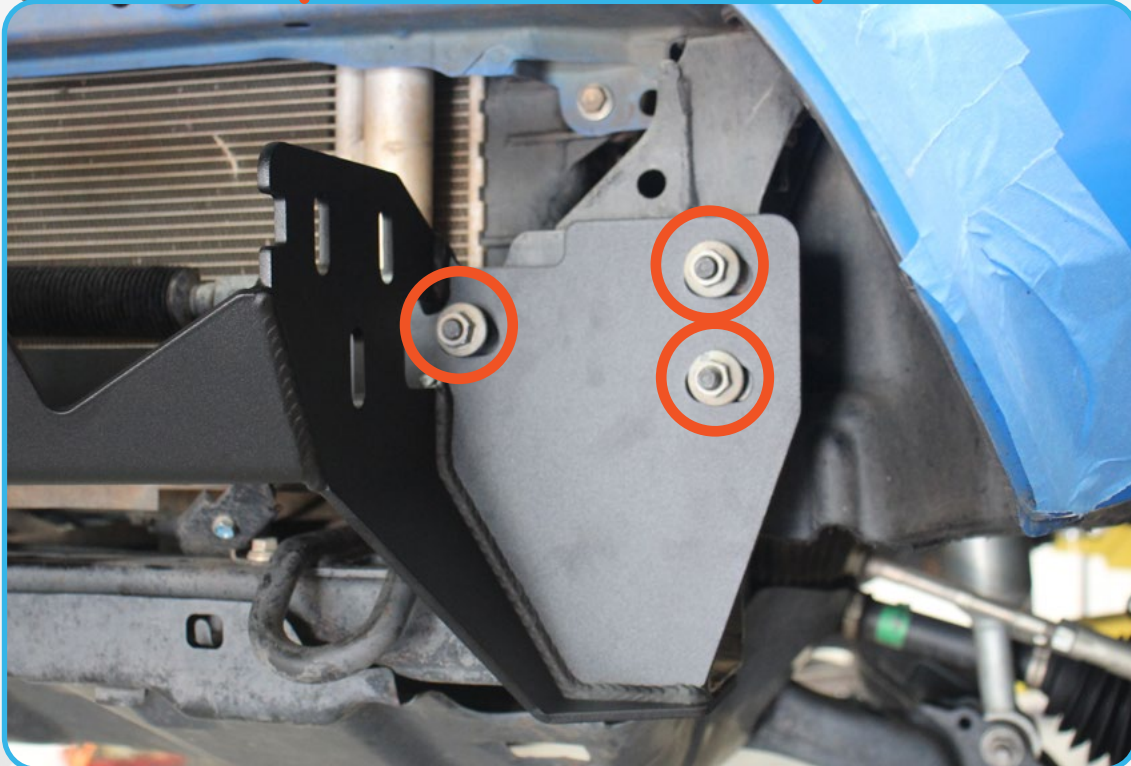
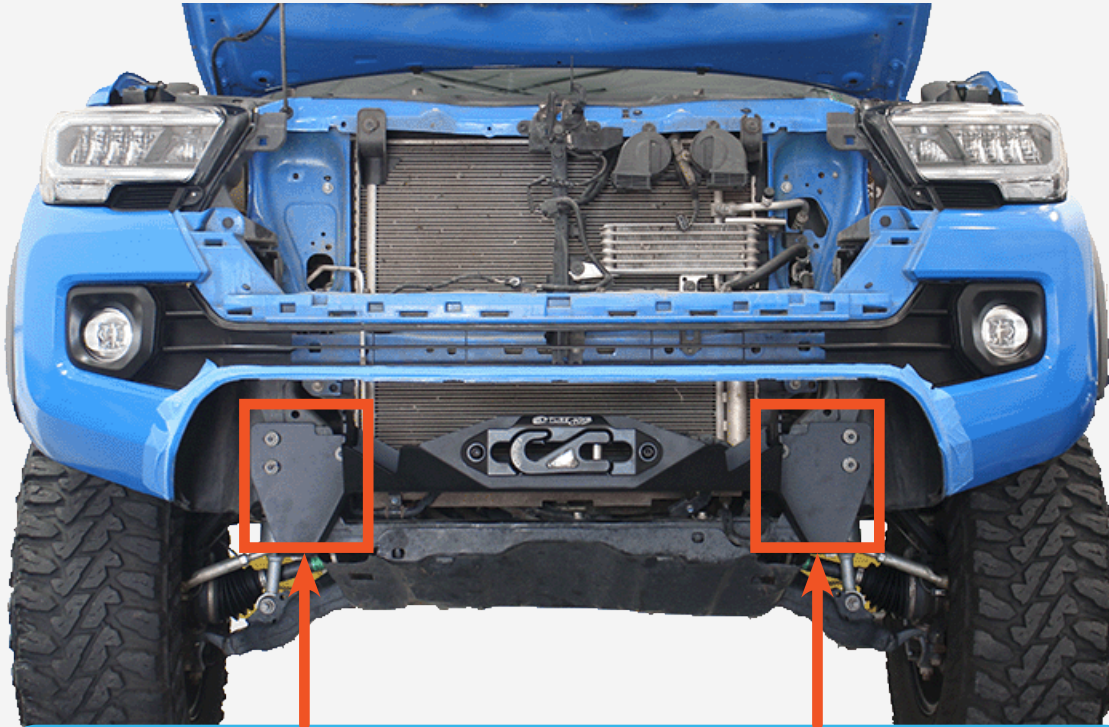
## □ STEP 17

Now would be a good time to install the winch of your choice.



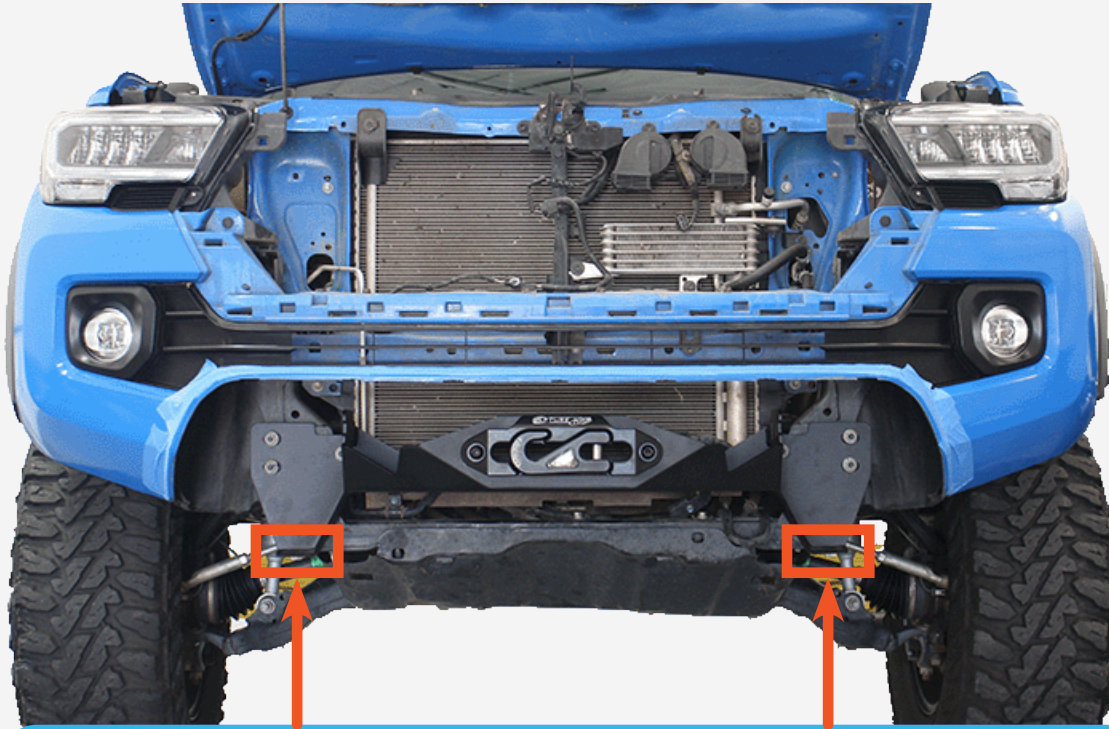
## □ STEP 18

Install the winch mount using the OEM hardware removed from **step 7** with a (14mm socket).  
(Leave loose enough for adjustments later in the install)



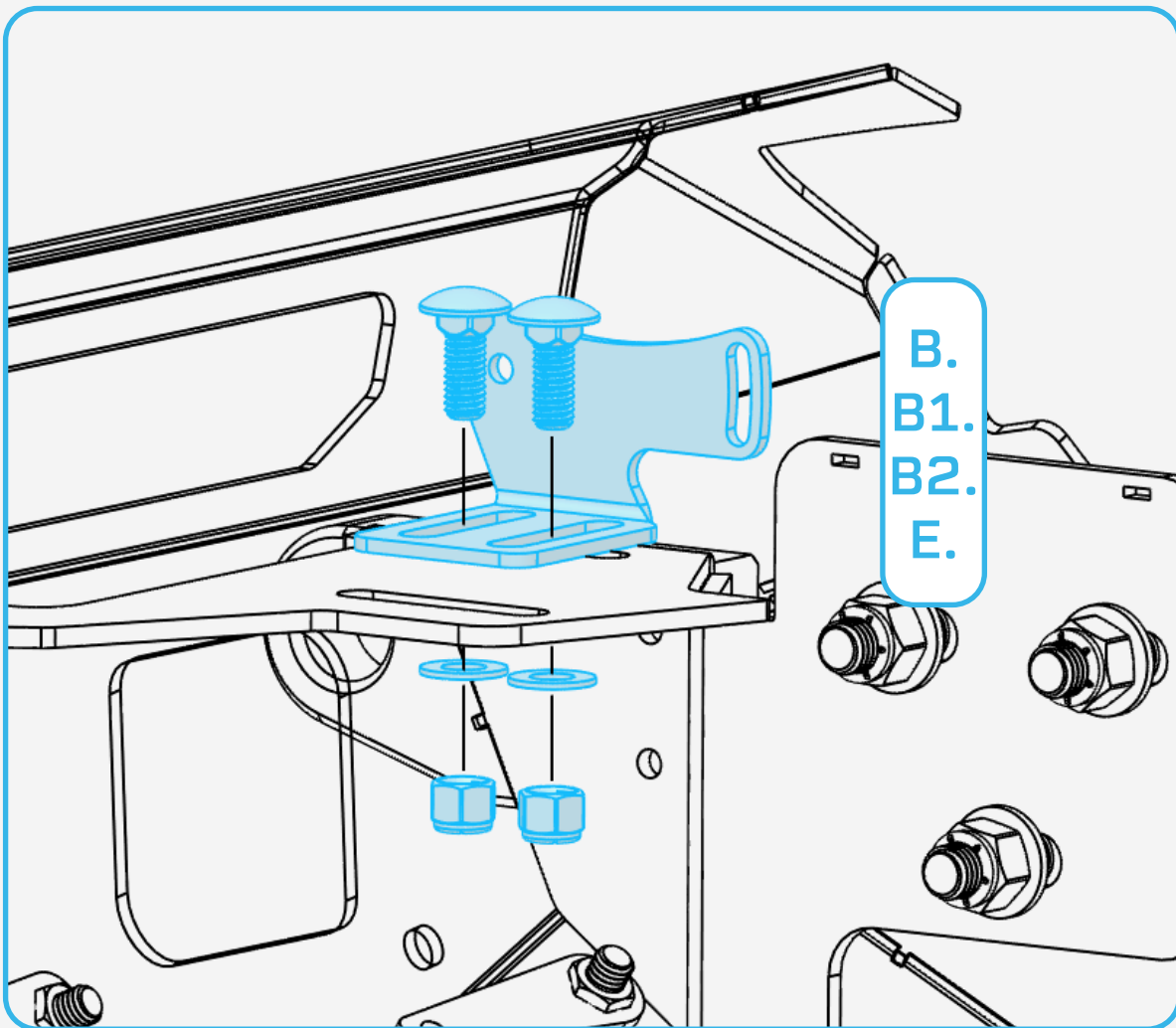
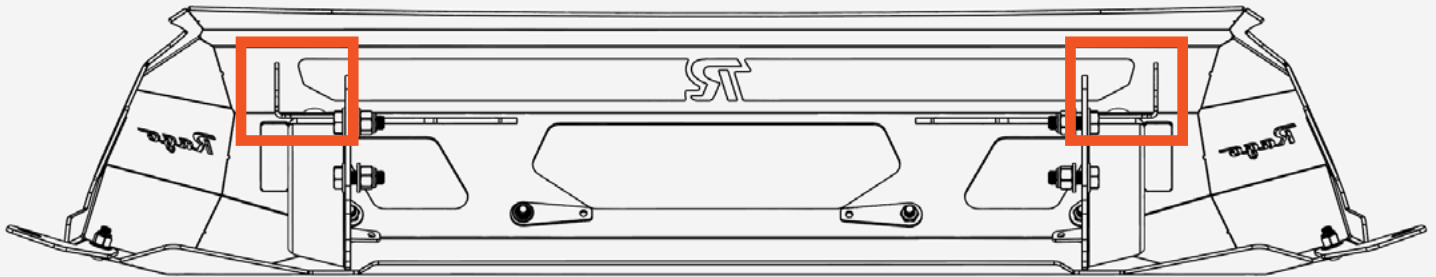
## □ STEP 19

Install the provided **(C, C1, C2)** 1/2" hardware to the bottom of the winch plate using a **(3/4 Wrench and socket)**. **(Leave loose enough for adjustments later in the install)**



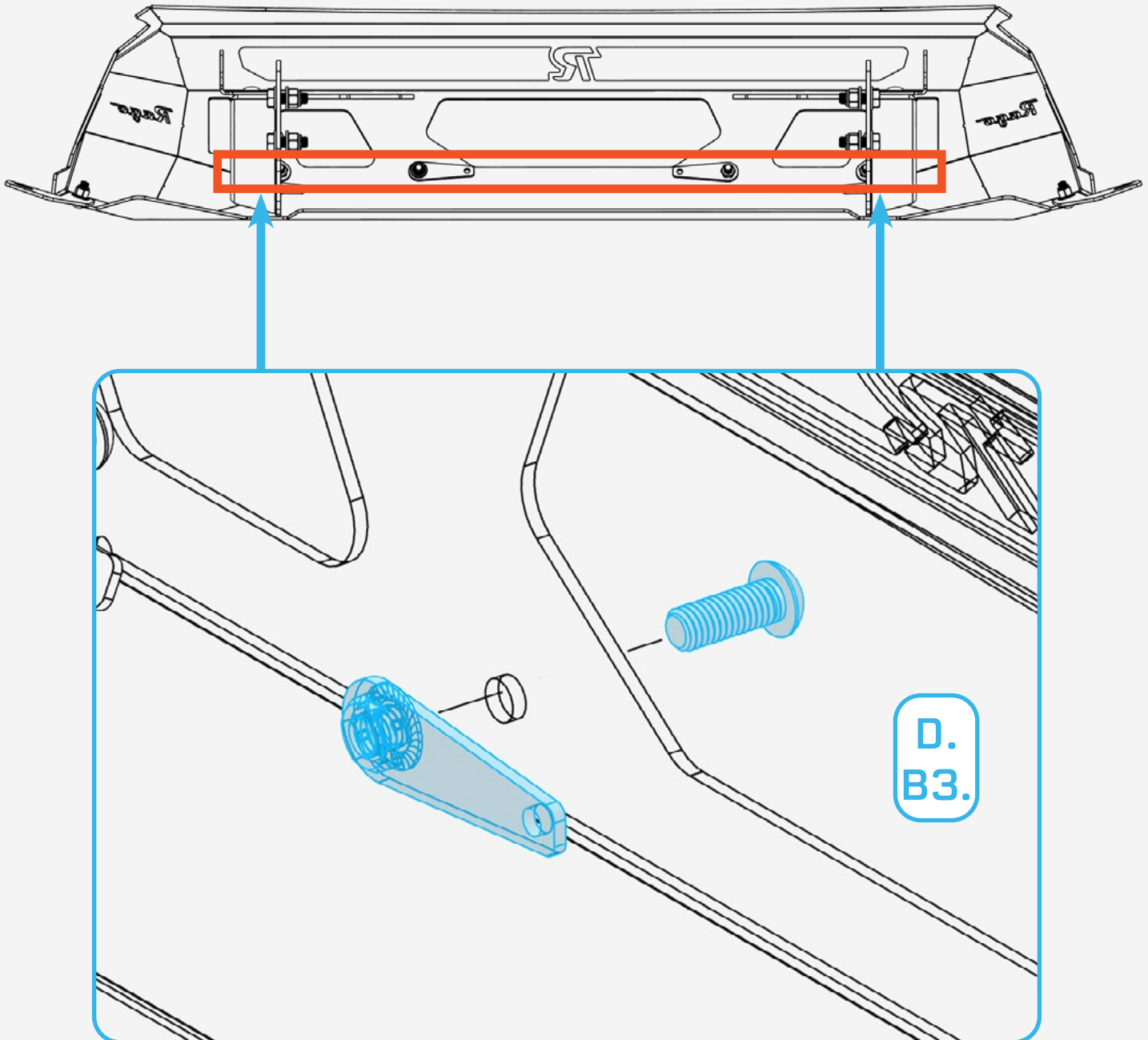
## □ STEP 20

Now would be a good time to install your light options. Mount the provided (E) light brackets with the provided (B, B1, B2) 3/8 hardware using a (9/16 wrench).



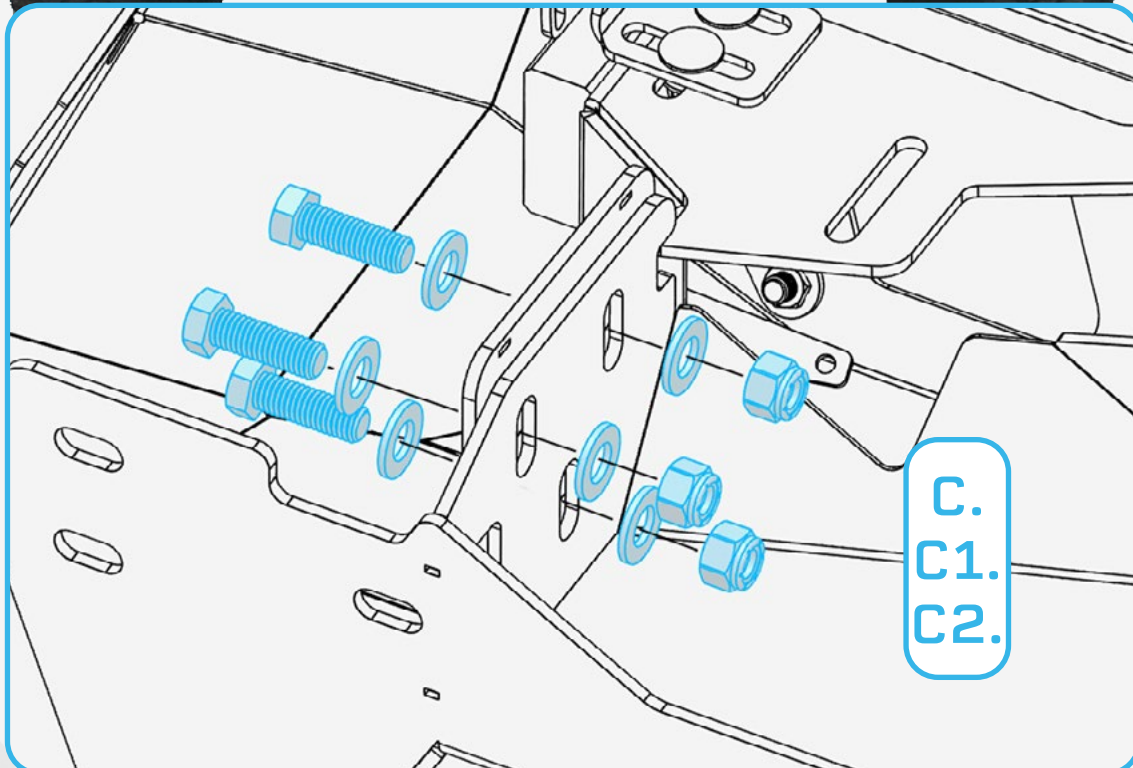
## □ STEP 21

Install the provided **(D)** flag nuts into the skid plate mounting holes with the provided **(B3)** 3/8 hardware using a **(7/32 allen)**. **\*\*If you purchased a skid plate STOP! Refer to the install guide on the Rago website and return to this guide\*\***



## □ STEP 22

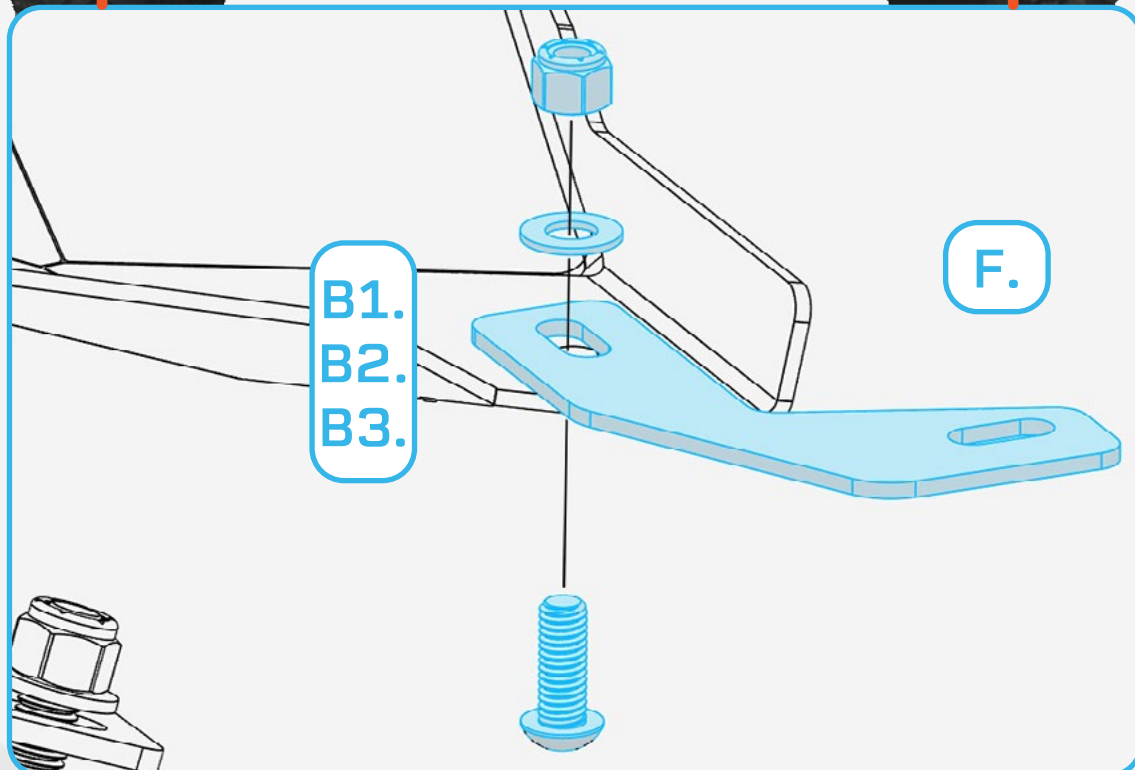
With a helping hand, install the bumper to the winch mount installed on **steps 18-19** from the top as shown below with the provided (**C, C1, C2**) 1/2 hardware using a (**3/4 socket and wrench**).





## □ STEP 23

Next, install the provided **(F)** support bracket to the bumper as shown below with the provided **(B1, B2, B3)** 3/8 hardware using a **(7/32 allen)** and a **(9/16 wrench)**.



## □ STEP 24

Install the provided (**B1, B2, B3**) 3/8" hardware to the bracket installed on **step 23** to the valence as shown below using a (**7/32 allen**) and a (**9/16 wrench**).



## STEP 25

Before installing the grill, check over all hardware and tighten the hardware installed on **steps 18 & 19** after adjustment are made. Then, Repeat **steps 1-4** to re-install the grill.



## □ STEP 26

Stand back and enjoy your new RAGO Center Mount Front Bumper With Winch.

Check and re-tighten all mounting bolts after 100 miles and periodically thereafter.

