

BED RACK CARGO RAILS

UNIVERSAL
AC9906101NA




TOOLS REQUIRED

- 5/32, HW8 Hex
- 7/32, 3/4 Wrench



SKILL LEVEL

- Easy



TIME REQUIRED

- Approximately 10 Minutes

⚠ WARNINGS/CAUTIONS BEFORE STARTING INSTALLATION ⚠

-BEFORE YOU INSTALL THIS KIT-

Read and understand all instructions, warnings, cautions, & notes contained in this installation instruction guide. Consult your vehicle owner's manual for proper disconnection of electrical and lifting of vehicle if required for installation of this product.

This install may require some technical skills and knowledge of basic mechanical work. If you do not feel that you are capable of performing this install please take this product to a trained professional.

After reading this guide please contact us with any questions or concerns before installing product.

Customer Service: 830-896-7571
Rago Fabrication is not responsible for any bodily injury or harm to you or your vehicle as a result of an improper install.

Proper installation of this kit required knowledge of the factory recommended procedures for removal and installation of original equipment components.

We recommend that the factory shop manual and any special tools needed to service your vehicle be on hand during the installation. Installation of this kit without proper knowledge of the factory recommended procedures may affect the

performance of these components and the safety of the vehicle.

Inspect all contents of this package to make sure product is not damaged and all installation hardware has been included. If parts are missing from kit, please be prepared to provide the following information:

1. Name of purchase location
2. Bar Code on side of box
3. Date above bar code
4. Date inside box cover

***ALWAYS WEAR EYE PROTECTION
WHEN OPERATING POWER TOOLS***

HARDWARE

A.



1/4-20 X 3/4" BUTTON HEAD

QTY: 80

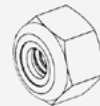
A1.



1/4" FLAT WASHER

QTY: 80

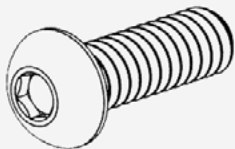
A2.



1/4-20" NYLON LOCK NUT

QTY: 80

B.



1/2-13 X 1 1/2" BUTTON HEAD

QTY: 8

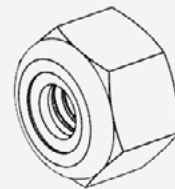
B1.



1/2" FLAT WASHER

QTY: 8

B2.



1/2-13" NYLON LOCK NUT

QTY: 8

Reference this page throughout the install



INSTALLATION GUIDE

□ STEP 1

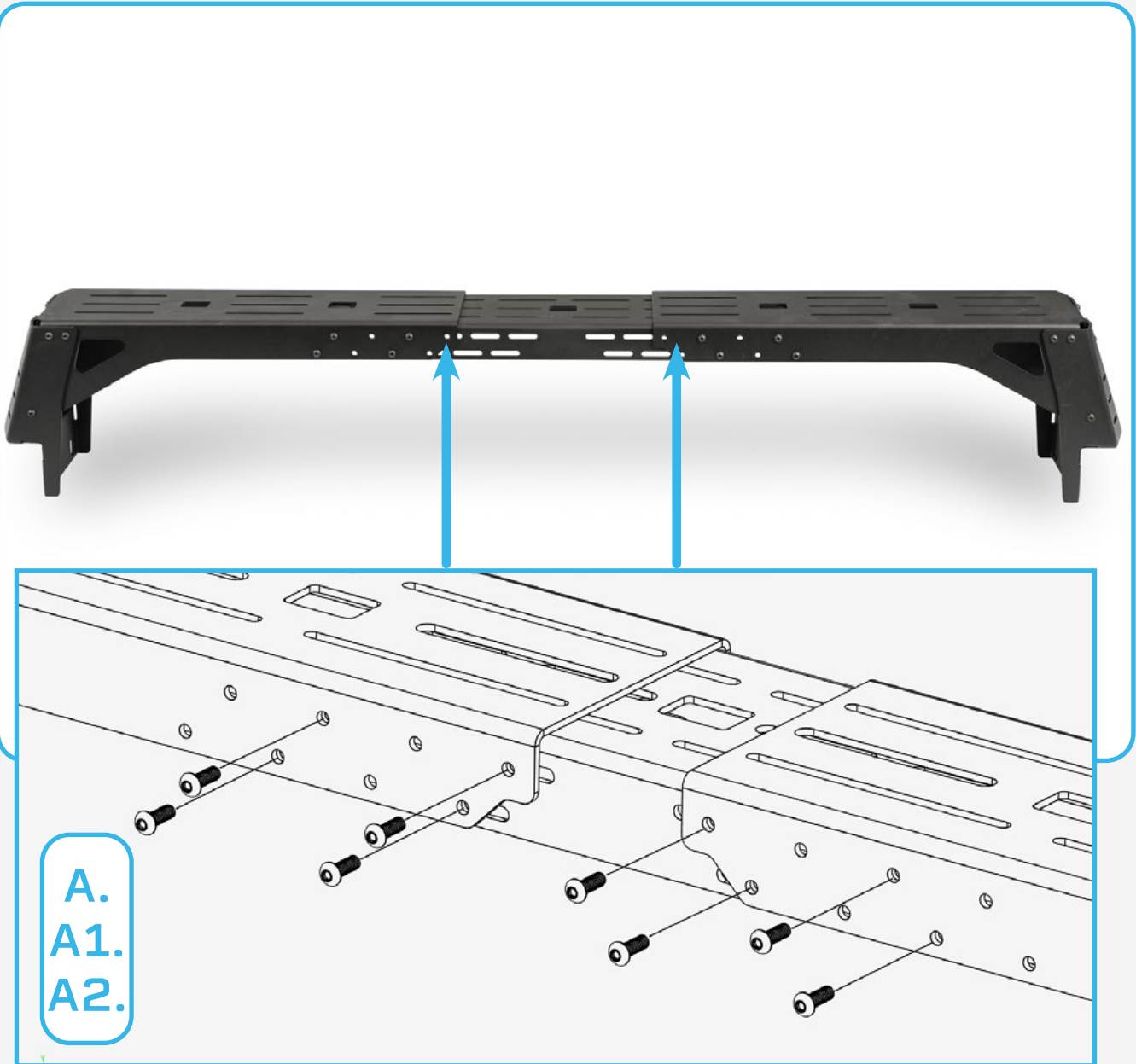
Install the sides with the provided (A, A1, A2) 1/4" hardware using a (5/32 allen) and a (7/16 wrench) as shown below.



INSTALLATION GUIDE

□ STEP 2

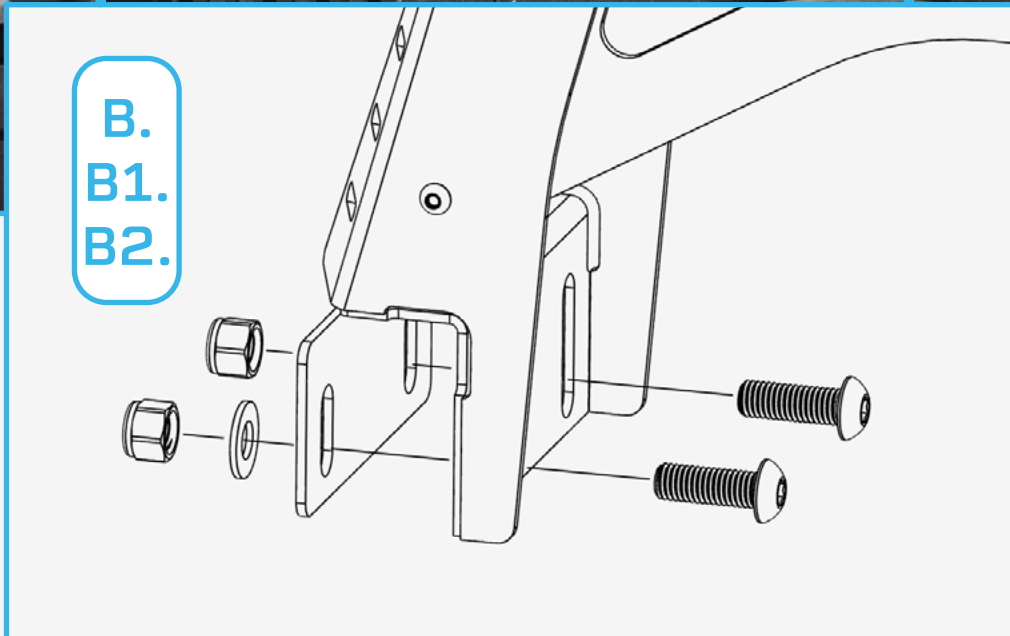
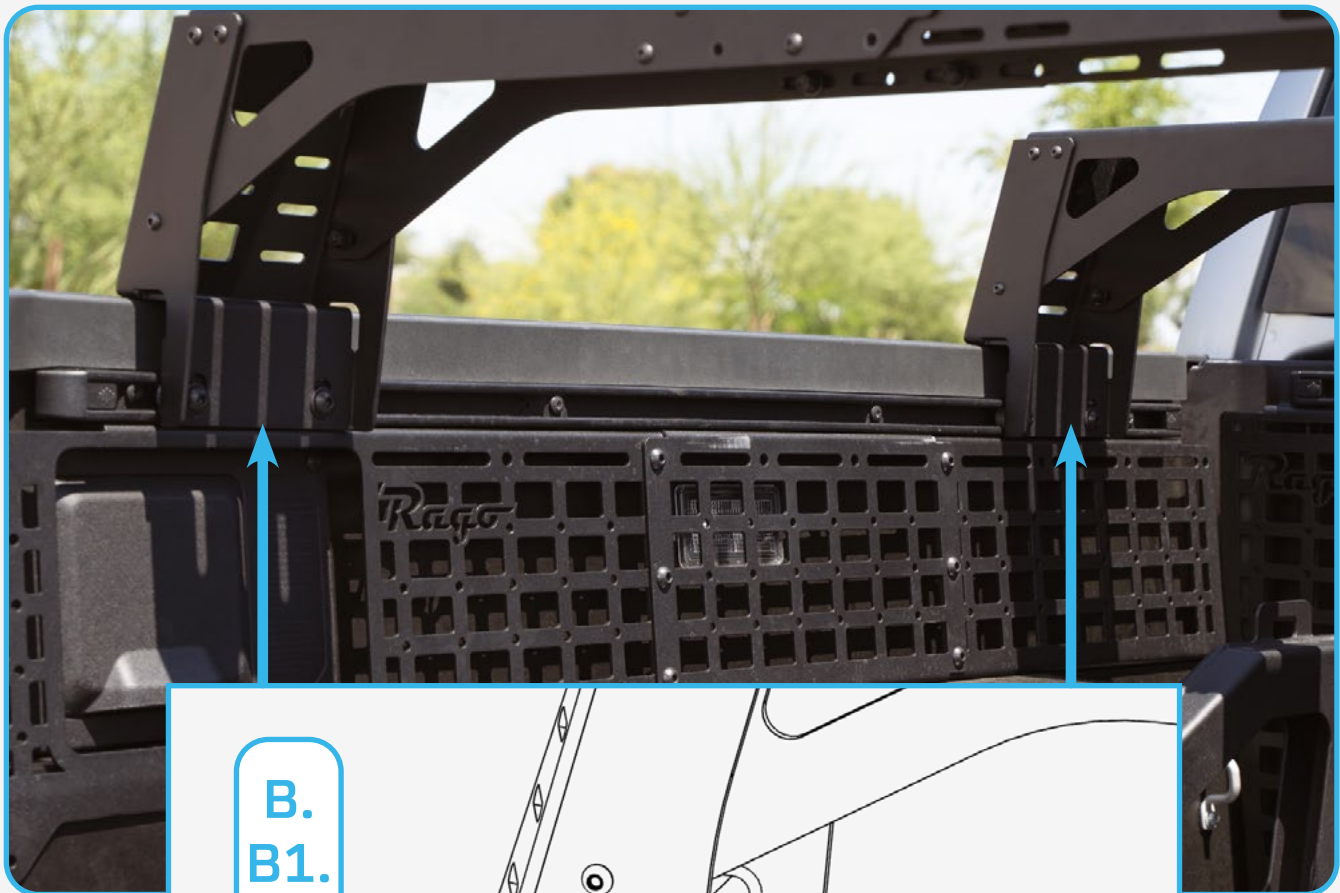
Install the center with the provided (A, A1, A2) 1/4" hardware using a (5/32 allen) and a (7/16 wrench) as shown below. ****Leave loose until installed on truck to get correct width****



INSTALLATION GUIDE

□ STEP 3

Install the bed rack cargo rails to the bed of the truck using the sandwich plates between the lip of the bed as shown below using the provided **(B, B1, B2)** with a (HW8 allen) and a (3/4 wrench).



INSTALLATION GUIDE

STEP 4

Double check all hardware and fitment for security.

Enjoy your new Rago Bed Rack Cargo Rails.

