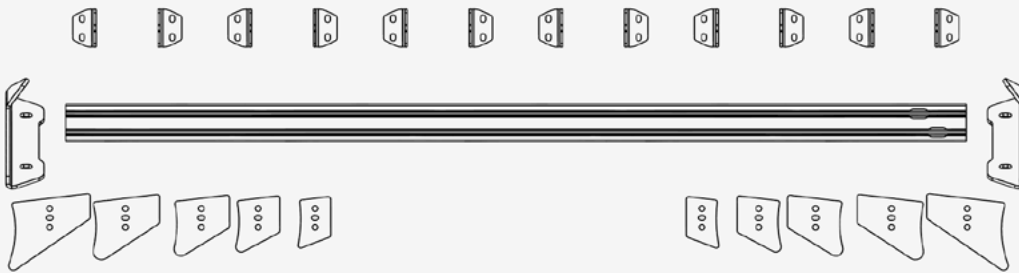


LIGHT MOUNT 2024/TOYOTA LAND CRUISER AC770660103



TOOLS REQUIRED

- 5/32, 7/32 Allen

SKILL LEVEL

- Easy

TIME REQUIRED

- Approximately 20 minutes

WARNINGS/CAUTIONS BEFORE STARTING INSTALLATION

-BEFORE YOU INSTALL THIS KIT-

Read and understand all instructions, warnings, cautions, & notes contained in this installation instruction guide. Consult your vehicle owner's manual for proper disconnection of electrical and lifting of vehicle if required for installation of this product.

This install may require some technical skills and knowledge of basic mechanical work. If you do not feel that you are capable of performing this install please take this product to a trained professional.

After reading this guide please contact us with any questions or concerns before installing product.

Customer Service: 830-896-7571
Rago Fabrication is not responsible for any bodily injury or harm to you or your vehicle as a result of an improper install.

Proper installation of this kit required knowledge of the factory recommended procedures for removal and installation of original equipment components.

We recommend that the factory shop manual and any special tools needed to service your vehicle be on hand during the installation. Installation of this kit without proper knowledge of the factory recommended procedures may affect the

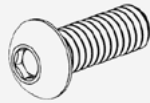
performance of these components and the safety of the vehicle. Inspect all contents of this package to make sure product is not damaged and all installation hardware has been included. If parts are missing from kit, please be prepared to provide the following information:

1. Name of purchase location
2. Bar Code on side of box
3. Date above bar code
4. Date inside box cover

***ALWAYS WEAR EYE PROTECTION
WHEN OPERATING POWER TOOLS***

HARDWARE

A.



1/4-20 X 2 1/2" BUTTON HEAD BOLT

QTY: 4

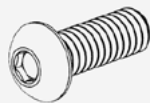
B.



M6 FLAT WASHER

QTY: 28

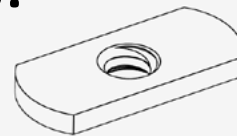
C.



1/4-20 X 1/2" BUTTON HEAD BOLT

QTY: 24

D.



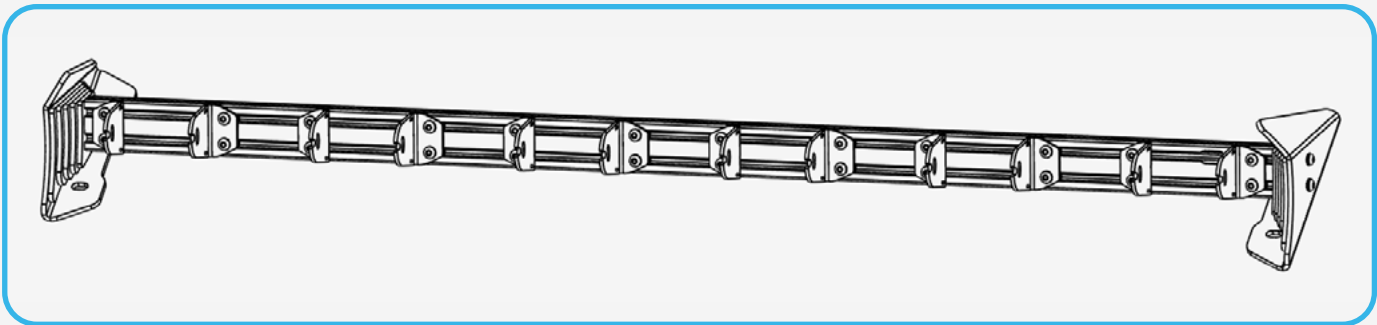
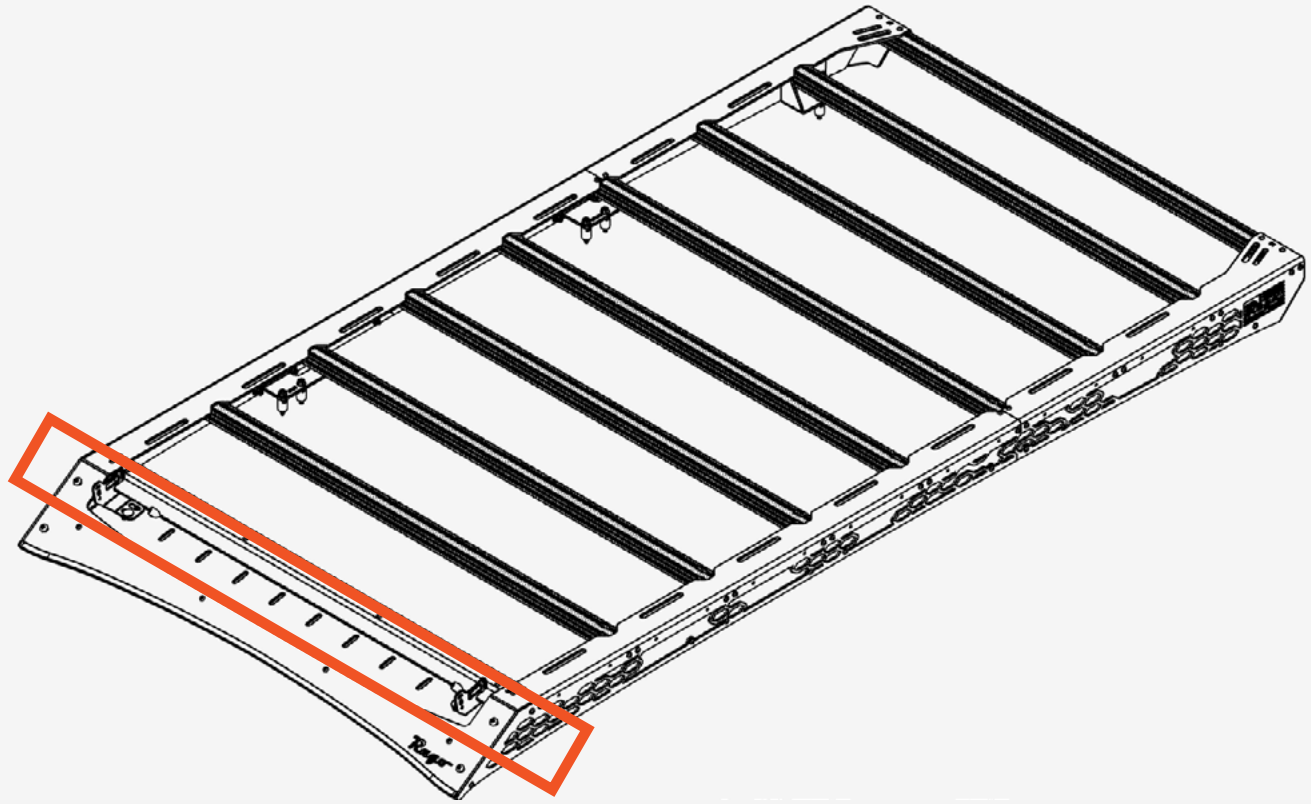
1/4-20" T-NUT

QTY: 24

Reference this page throughout the install

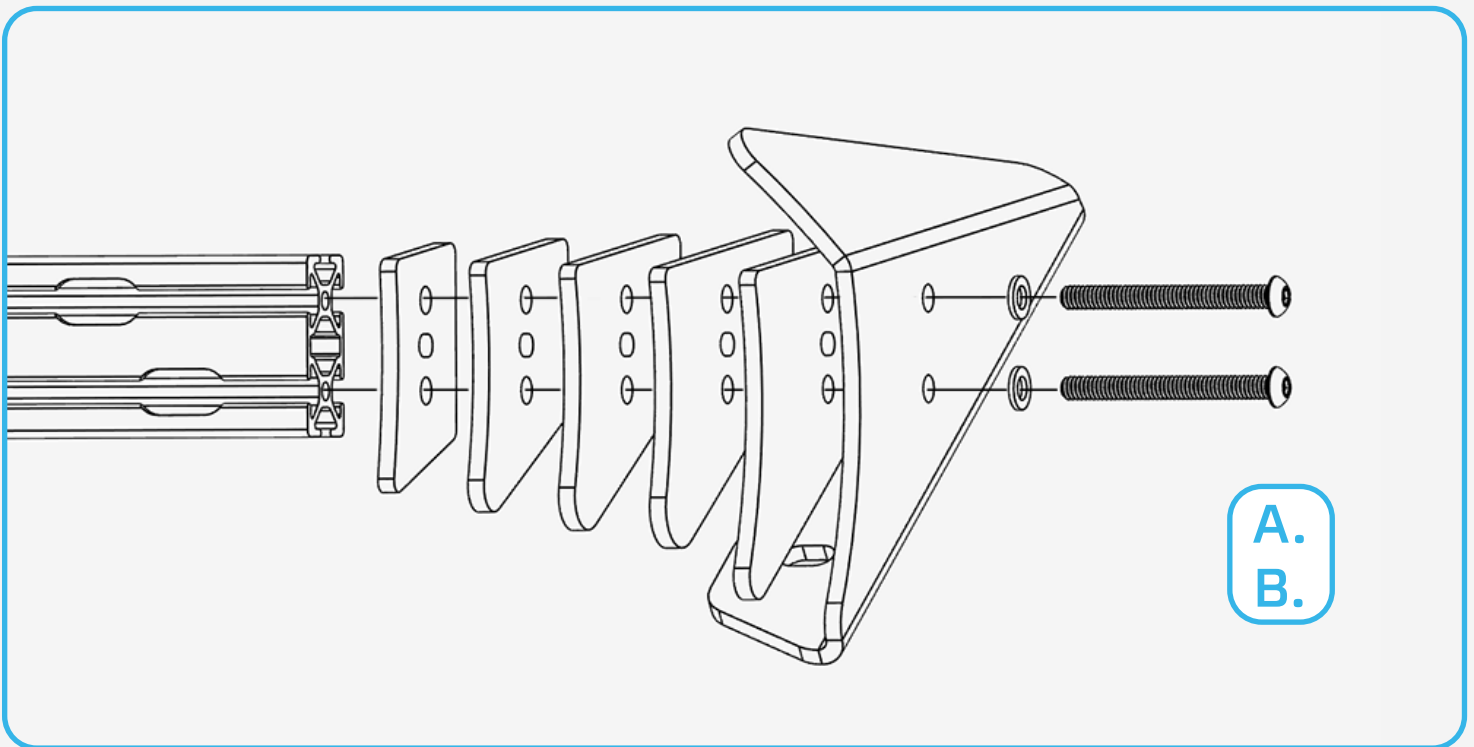
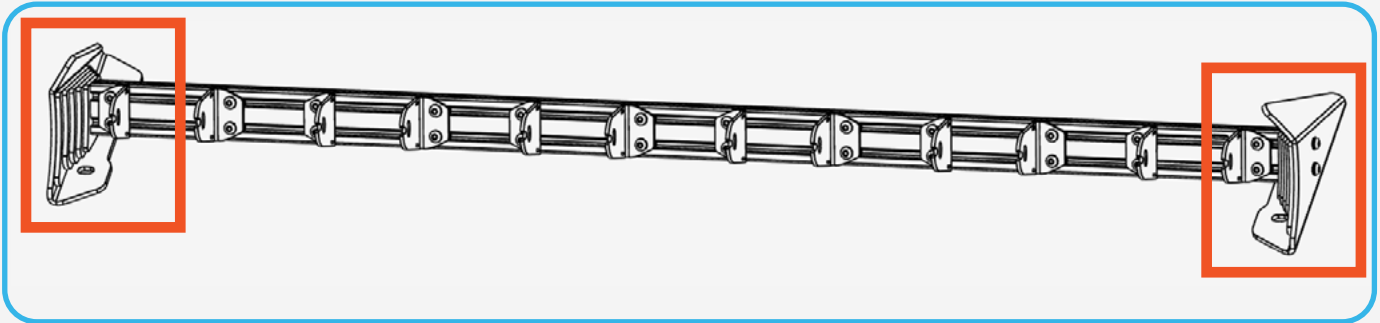


AC770660103



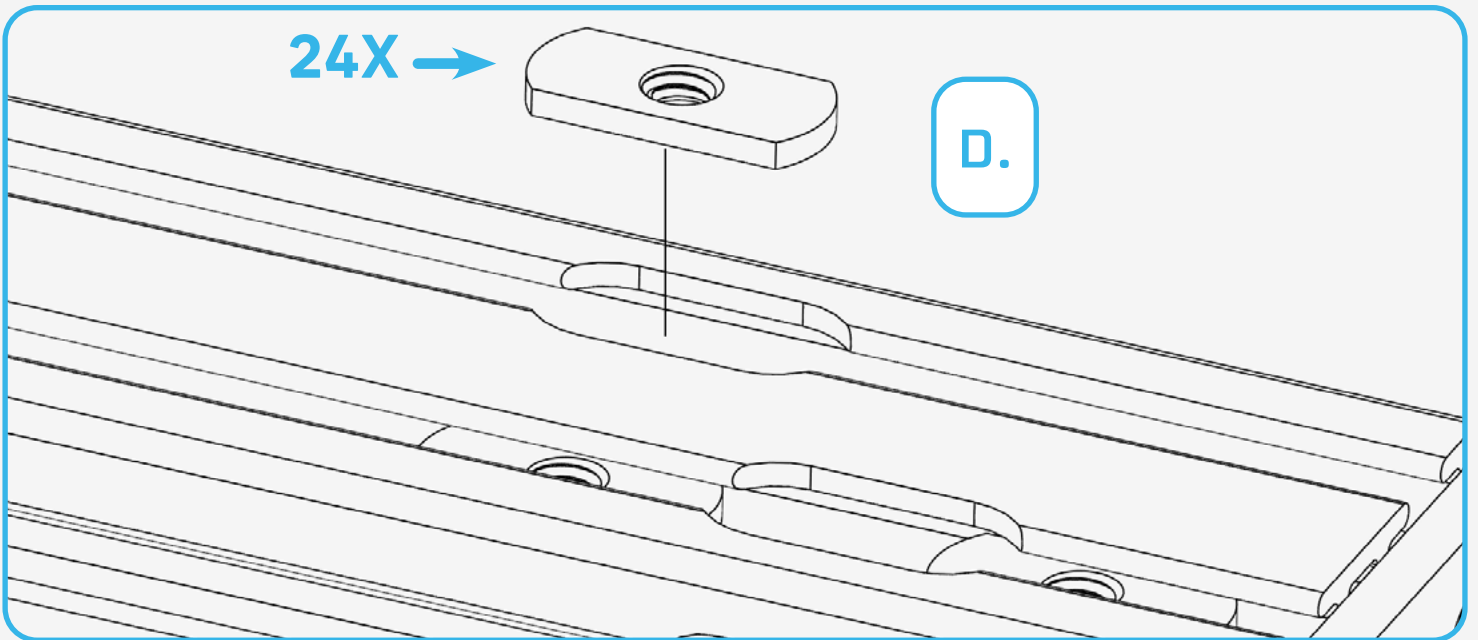
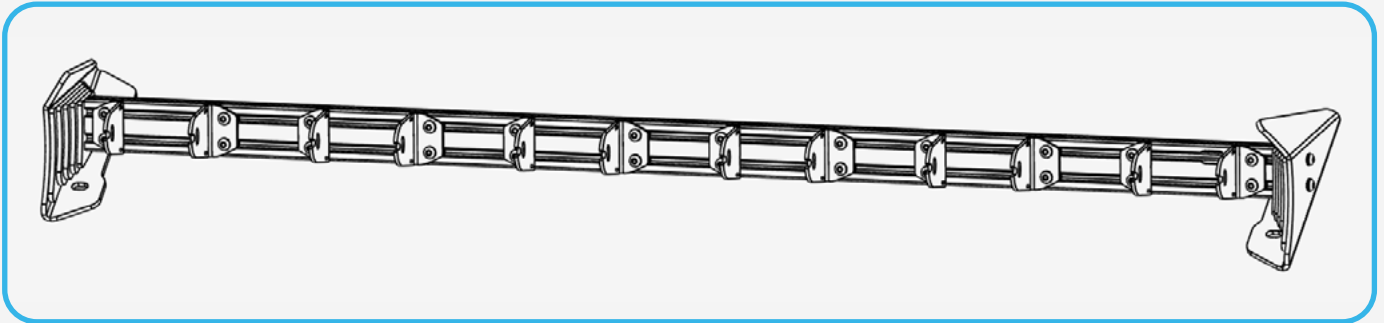
□ STEP 1

Using a (5/32 allen) install the mounts to the rail with the provided (A, B) 1/4" hardware and M6 washer as shown below.



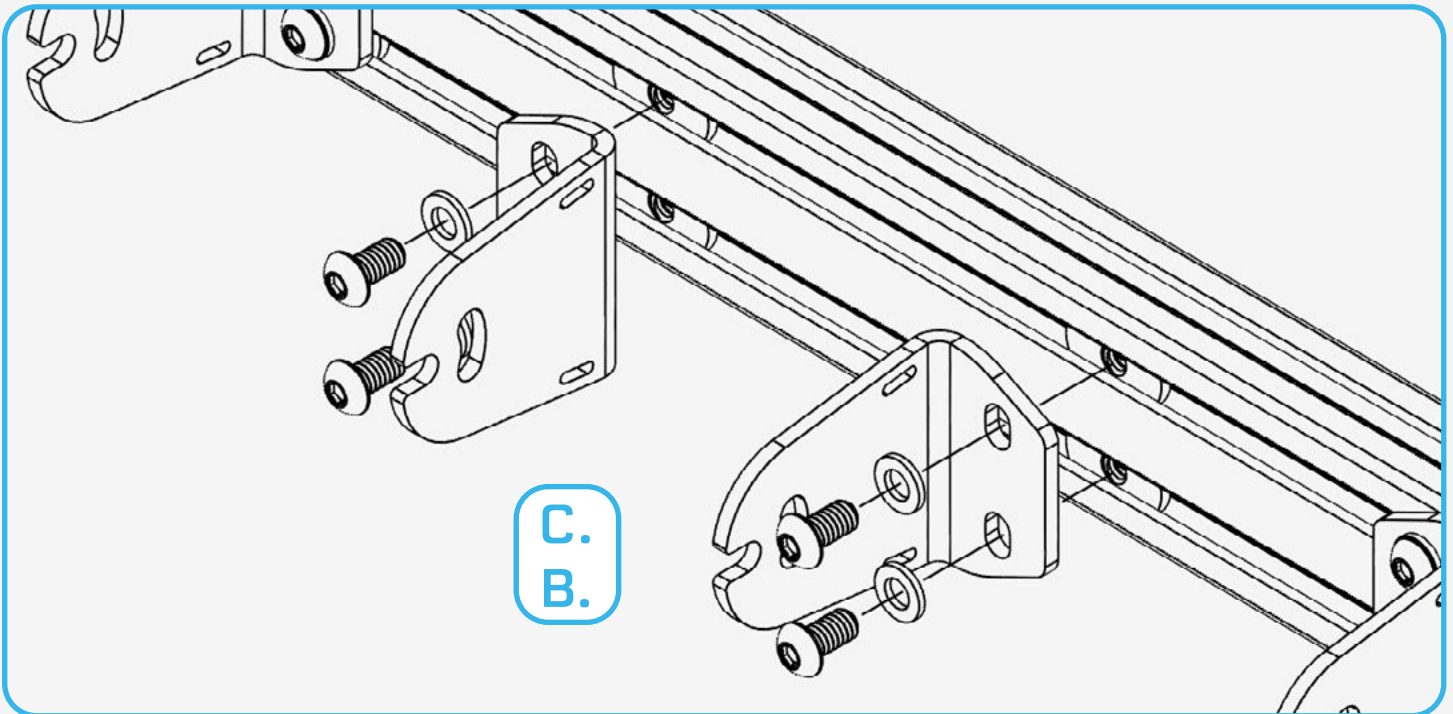
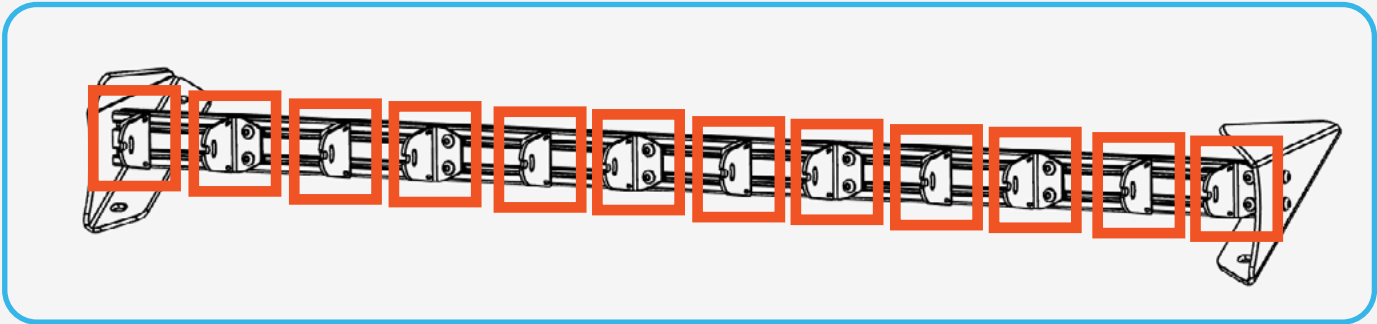
□ STEP 2

Install **(D)** T-nuts into the slots through the open slot located on one side of the rail.



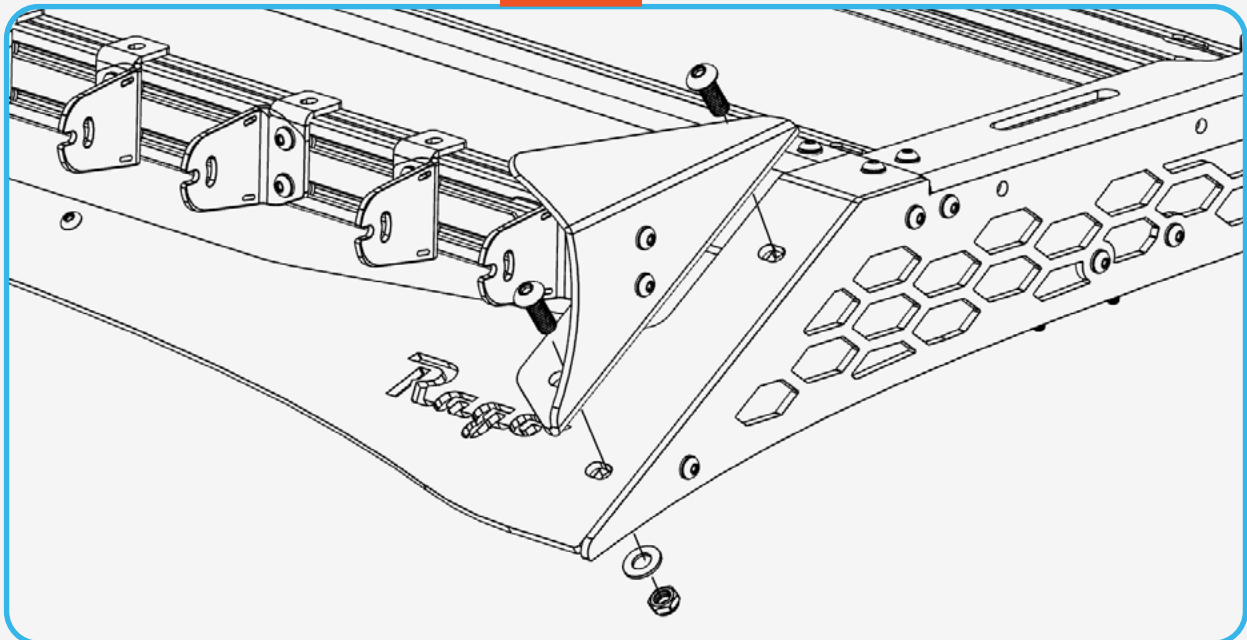
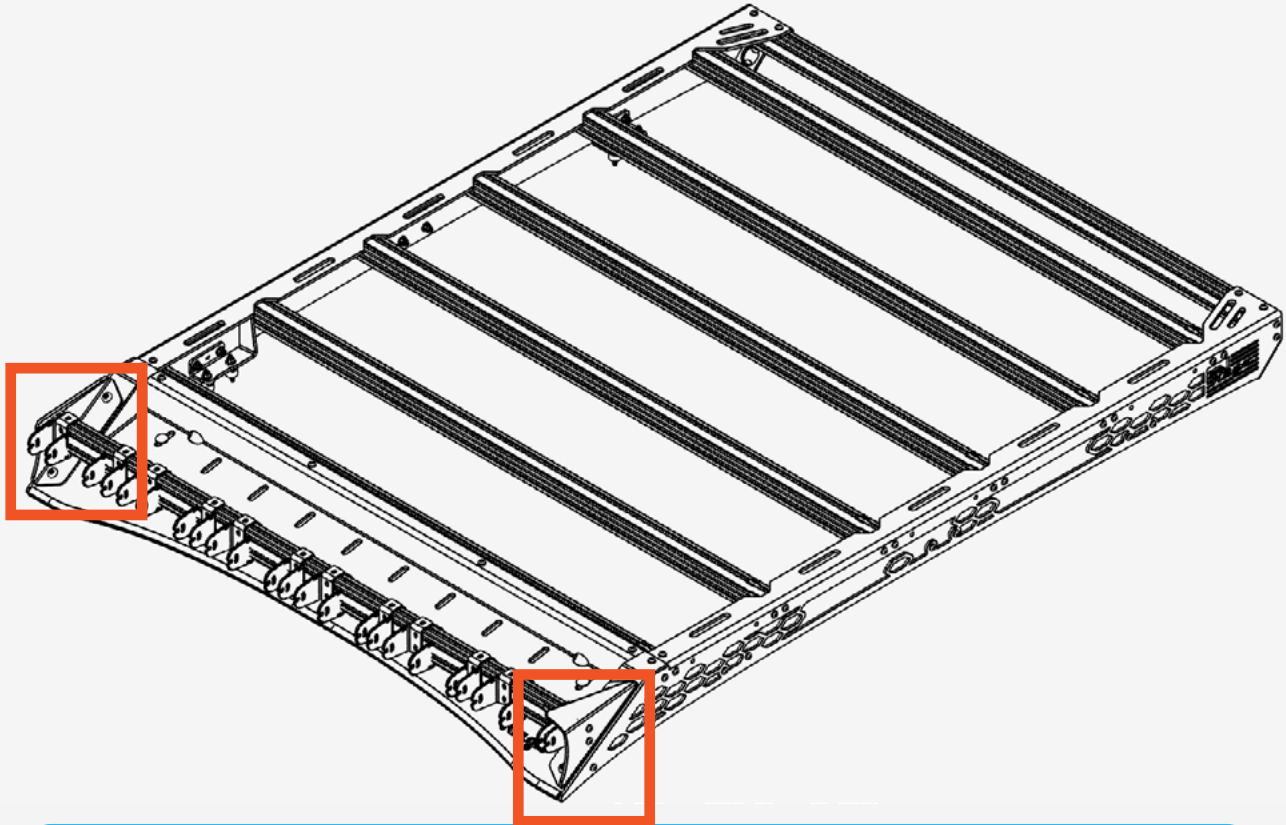
□ STEP 3

With the provided (C, B) 1/4" hardware and M6 washers, install the light brackets and evenly spread out for the desired light set up using a (5/32 allen). Now would be a good time to install the lights.



□ STEP 4

Install the light mount into the mounting holes located on the roof rack with the hardware provided in that kit using a (7/32 allen).



STEP 5

Stand back and enjoy your new RAGO Light Mount.

Check and re-tighten, if needed, all mounting bolts after 100 miles and periodically thereafter.

