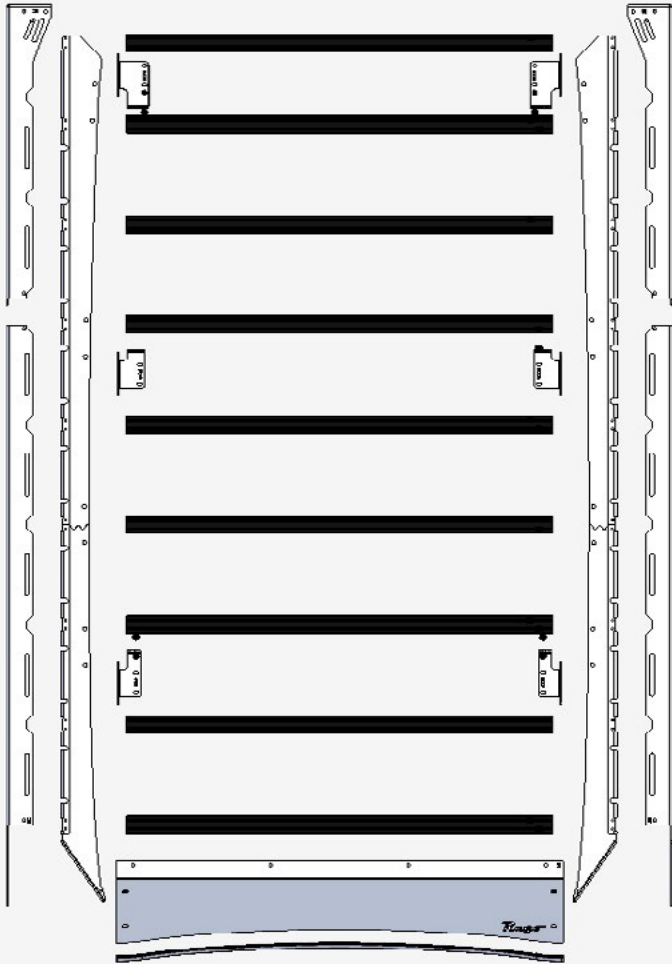


ROOF RACK WITH SOLID VALENCE 2024/TOYOTA LAND CRUISER AC770640103



TOOLS REQUIRED

- 7/16, 9/16, 12mm, 13mm sockets
- 7/16, 9/16, 12mm, 13mm wrenches
- Plastic Pry Tools
- 5/32, 7/32 Hex
 - Razor Blade
 - Blue Loctite
- Tape Measure

SKILL LEVEL

- Medium

TIME REQUIRED

- Approximately 3 Hours

WARNINGS/CAUTIONS BEFORE STARTING INSTALLATION

-BEFORE YOU INSTALL THIS KIT-

Read and understand all instructions, warnings, cautions, & notes contained in this installation instruction guide. Consult your vehicle owner's manual for proper disconnection of electrical and lifting of vehicle if required for installation of this product.

This install may require some technical skills and knowledge of basic mechanical work. If you do not feel that you are capable of performing this install please take this product to a trained professional.

After reading this guide please contact us with any questions or concerns before installing product.

Customer Service: 830-896-7571
Rago Fabrication is not responsible for any bodily injury or harm to you or your vehicle as a result of an improper install.

Proper installation of this kit required knowledge of the factory recommended procedures for removal and installation of original equipment components.

We recommend that the factory shop manual and any special tools needed to service your vehicle be on hand during the installation. Installation of this kit without proper knowledge of the factory recommended procedures may affect the

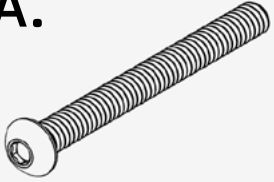
performance of these components and the safety of the vehicle. Inspect all contents of this package to make sure product is not damaged and all installation hardware has been included. If parts are missing from kit, please be prepared to provide the following information:

1. Name of purchase location
2. Bar Code on side of box
3. Date above bar code
4. Date inside box cover

***ALWAYS WEAR EYE PROTECTION
WHEN OPERATING POWER TOOLS***

HARDWARE

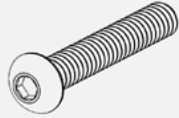
A.



1/4-20 X 2" BUTTON HEAD BOLT

QTY: 36

B.



1/4-20 X 1" BUTTON HEAD BOLT

QTY: 18

C.



1/4-20 X 1/2" BUTTON HEAD BOLT

QTY: 26

C1.



M6 FLAT WASHER

QTY: 54

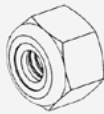
C2.



1/4" FLAT WASHER

QTY: 18

C3.



1/4-20" NYLON LOCK NUT

QTY: 18

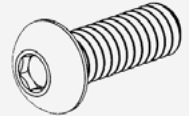
D.



1/4-20" T NUT

QTY: 26

E.



3/8-16 X 1" BUTTON HEAD BOLT

QTY: 4

E1.



3/8" FLAT WASHER

QTY: 4

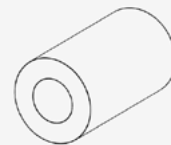
E2.



3/8-16" NYLON JAM LOCK NUT

QTY: 4

F.



1/4" X 1" SPACER

QTY: 36

Reference this page throughout the install



PARTS

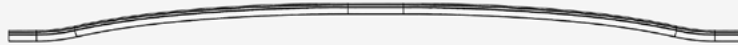
G.



MUS0008

QTY: 12

H.

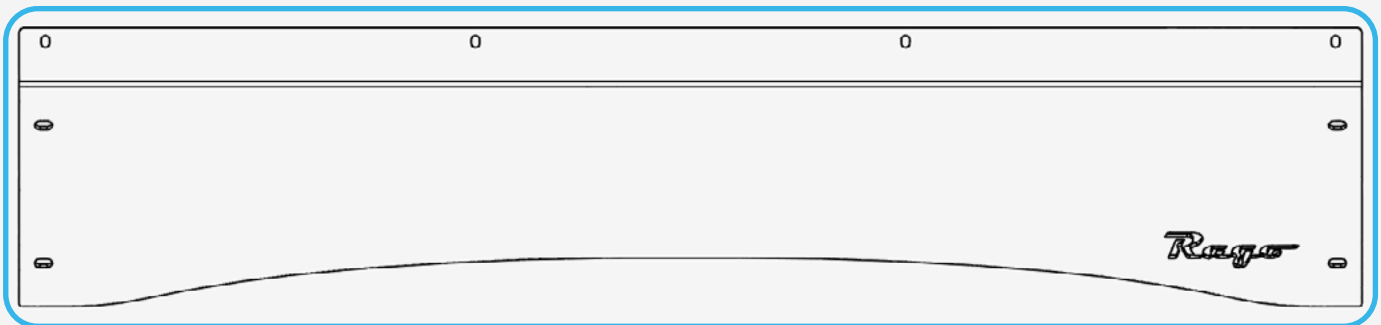
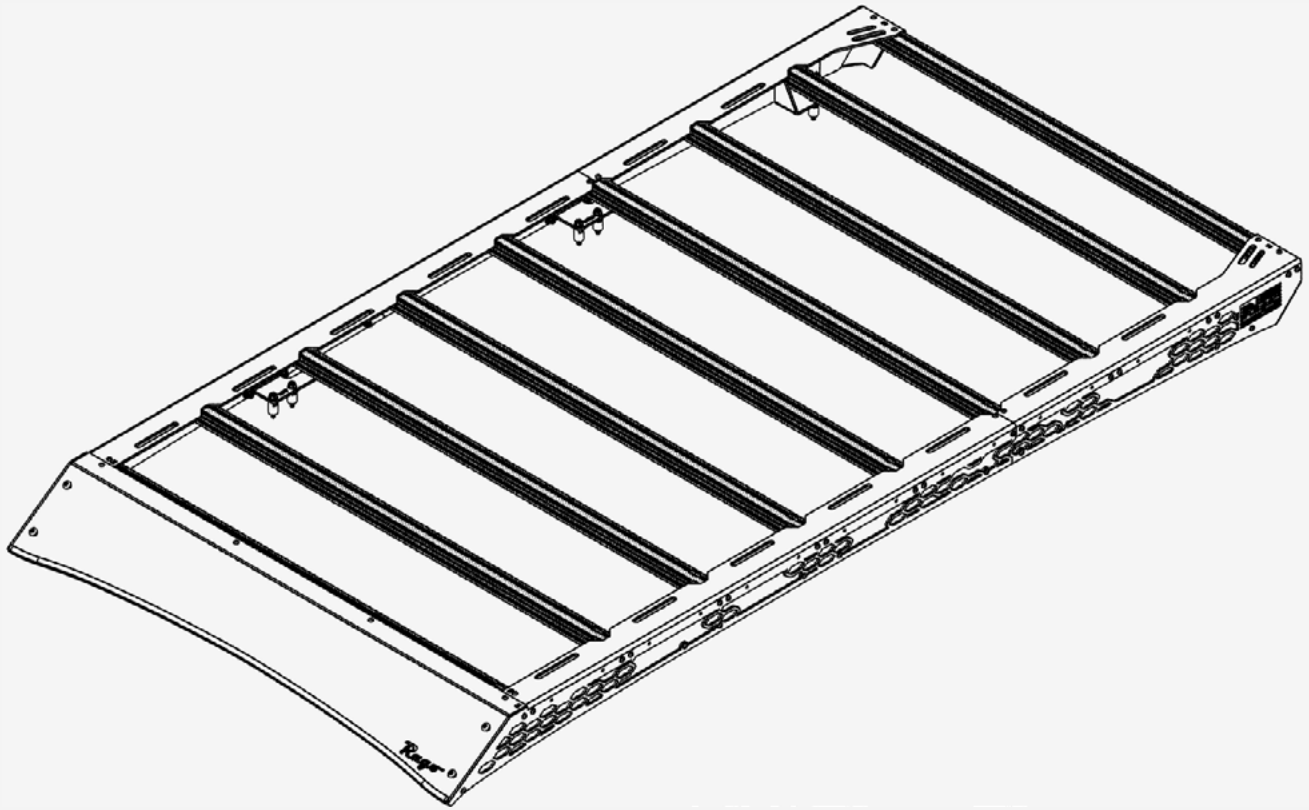


EDGE TRIM WITH GASKET

QTY: 1

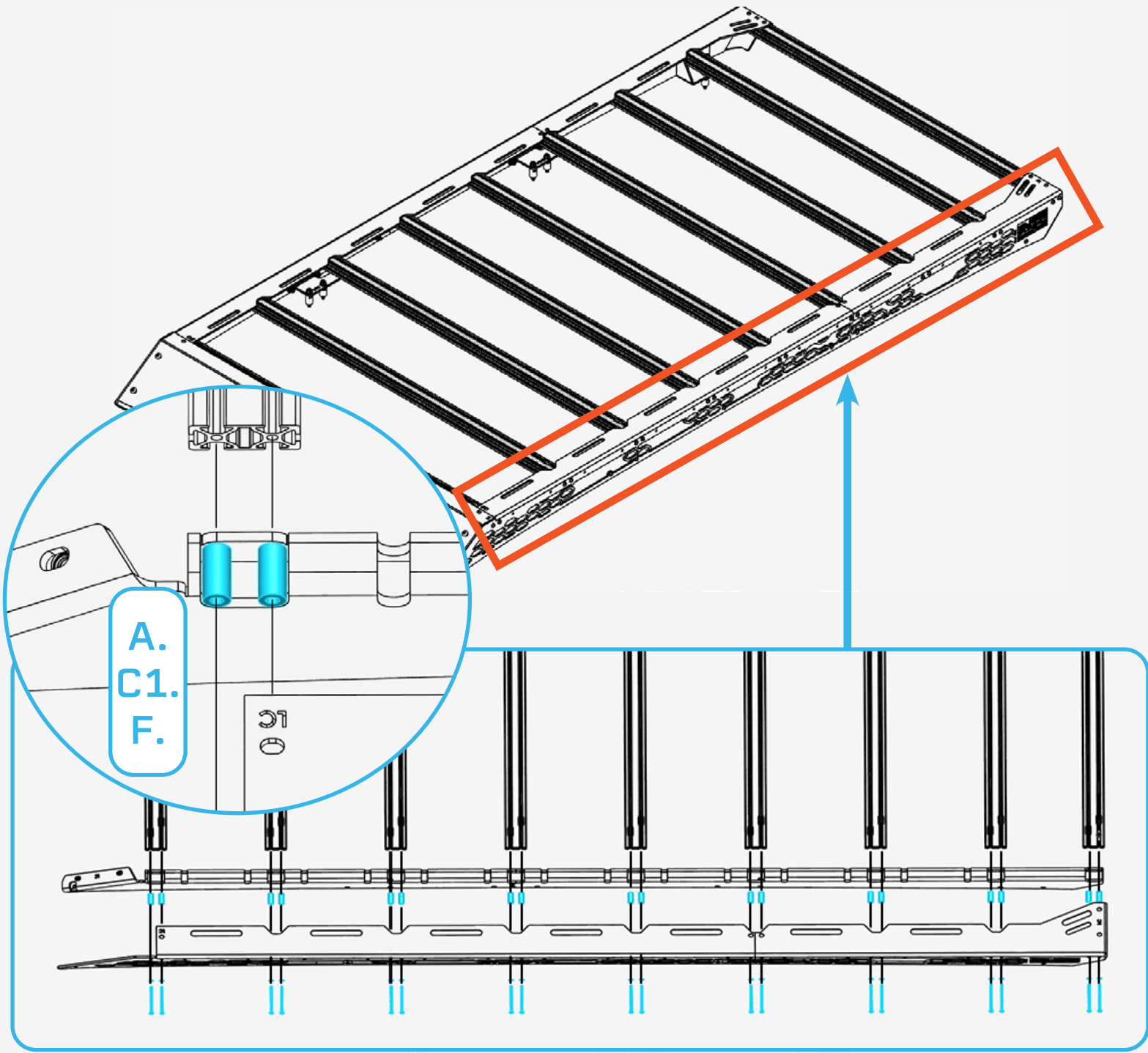


AC770640103



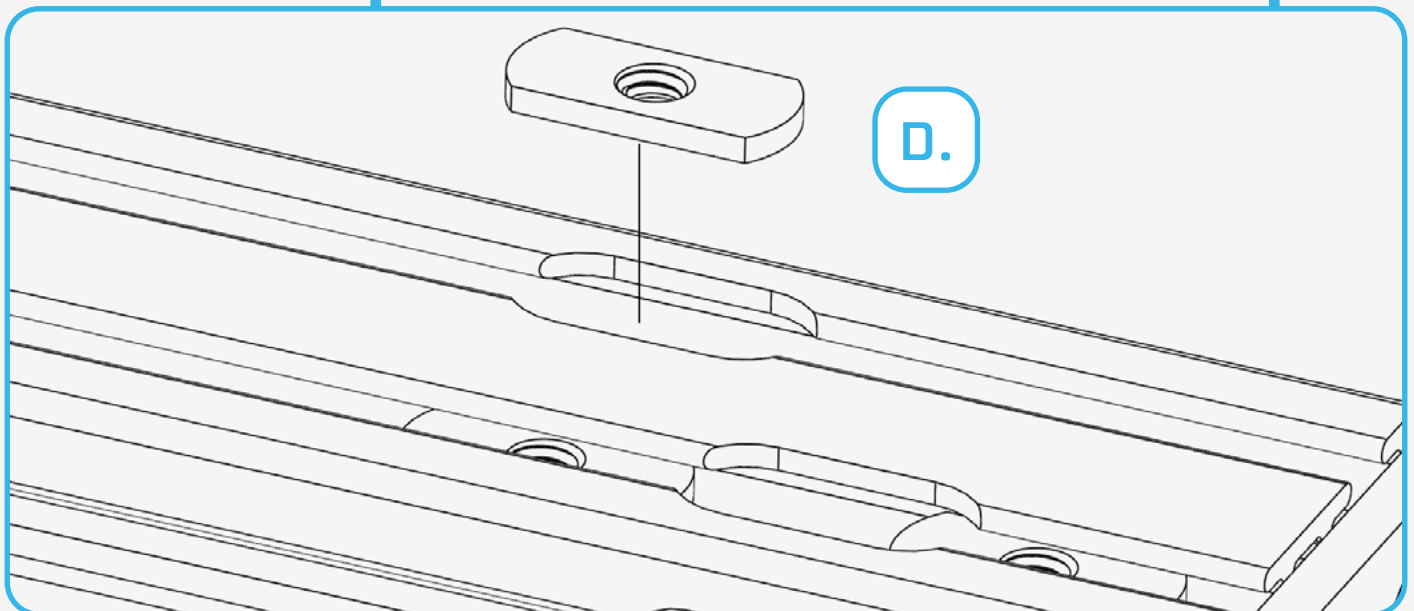
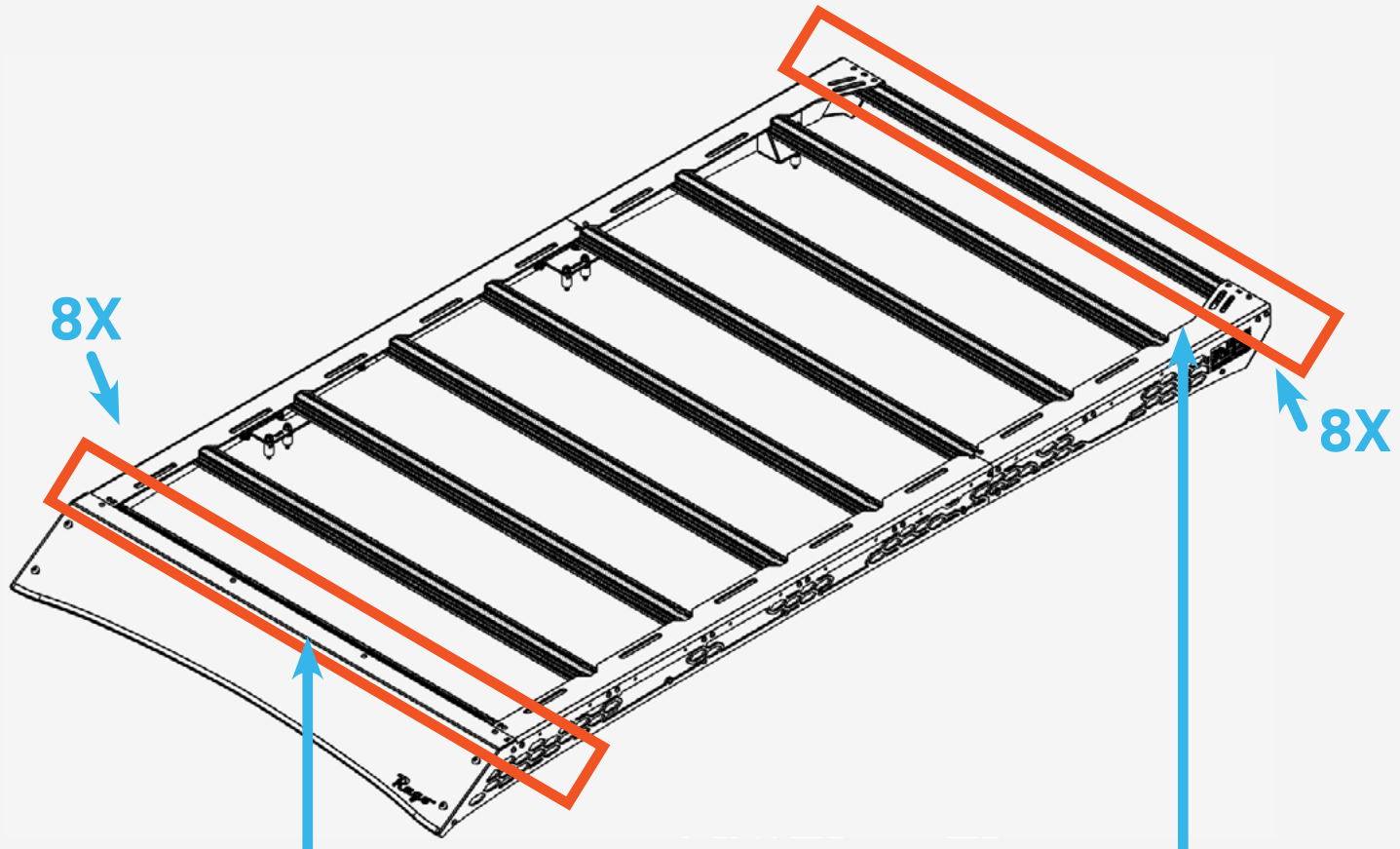
□ STEP 1

Install the rails to the backer plate and the side panel as shown below with the provided (A, C1, F) 1/4" hardware, washers, and 1" spacer using a (5/32 allen).



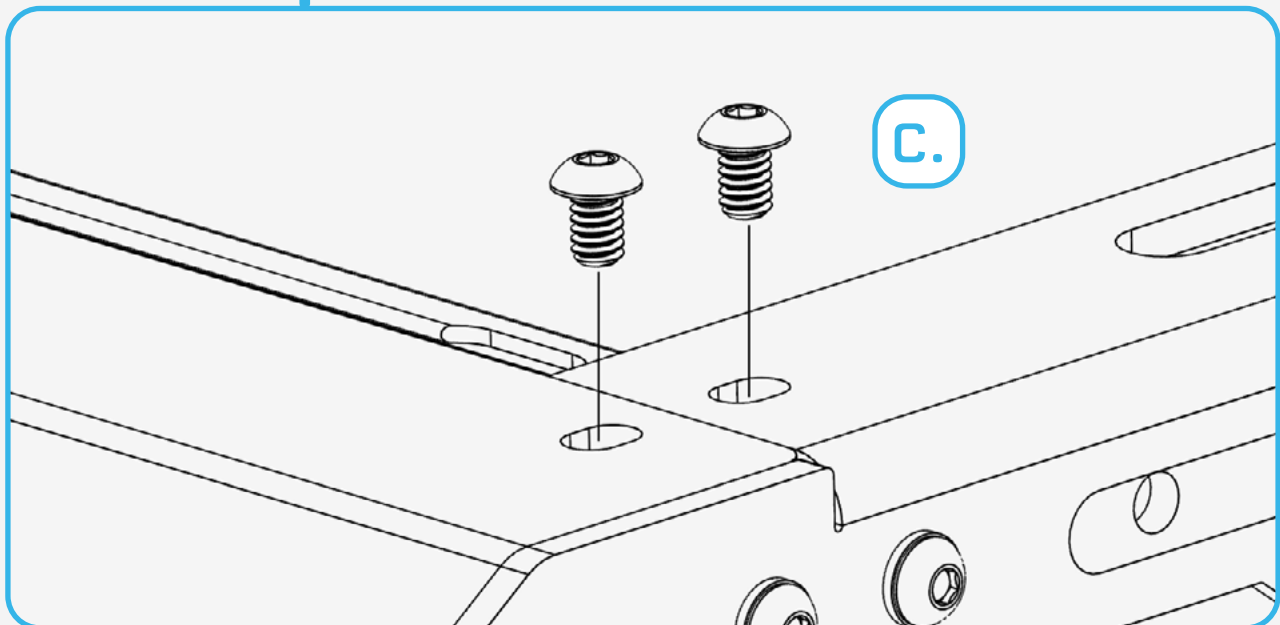
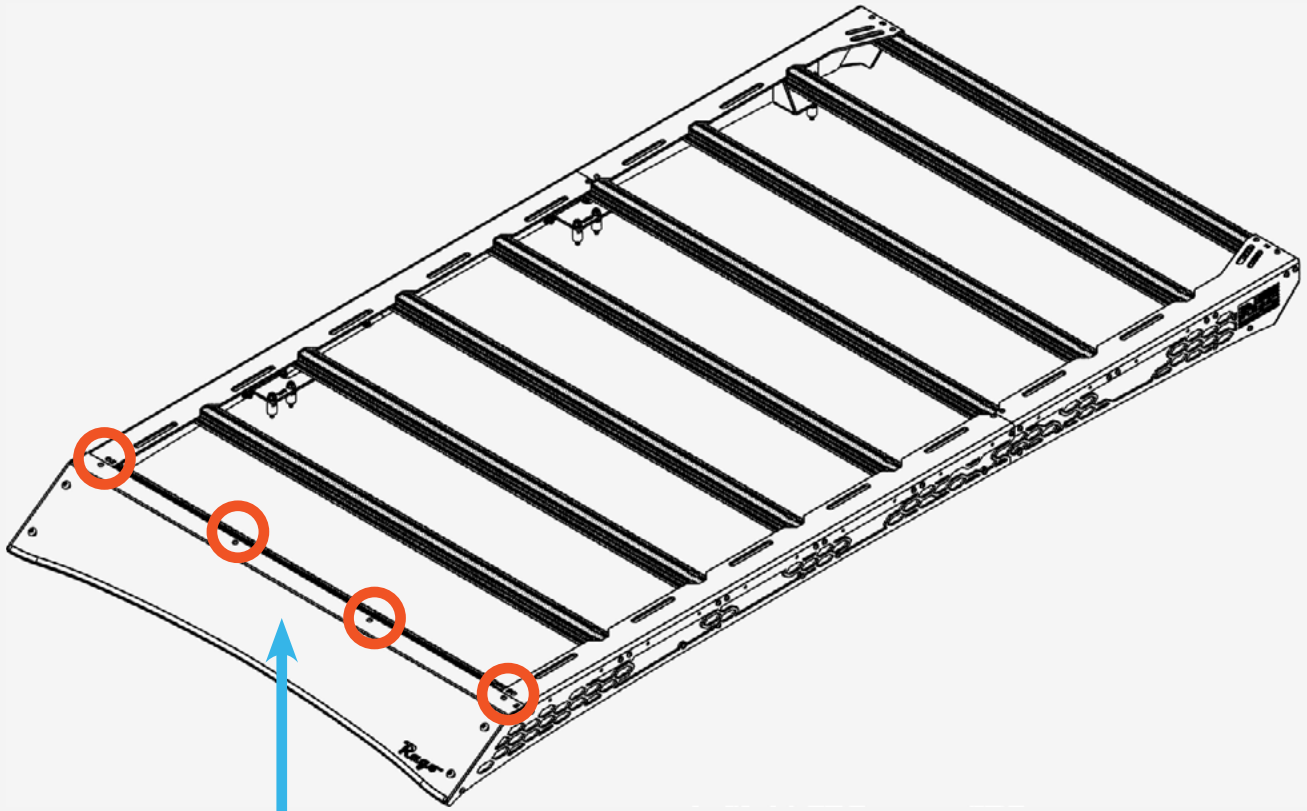
□ STEP 2

Install **(D)** T-nuts into the slots through the open slot located on one side of the rail.



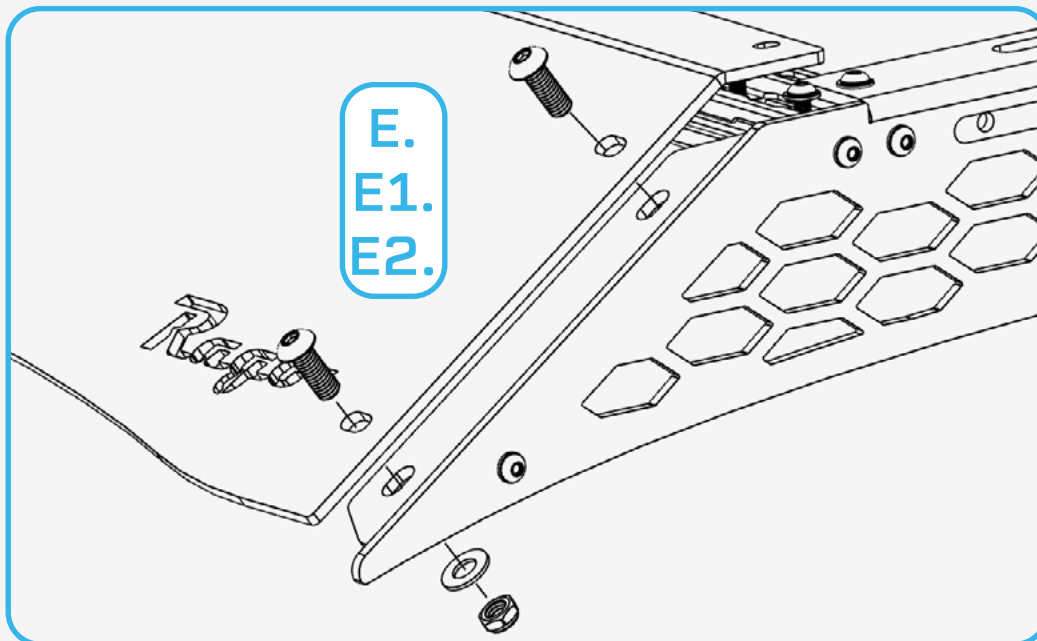
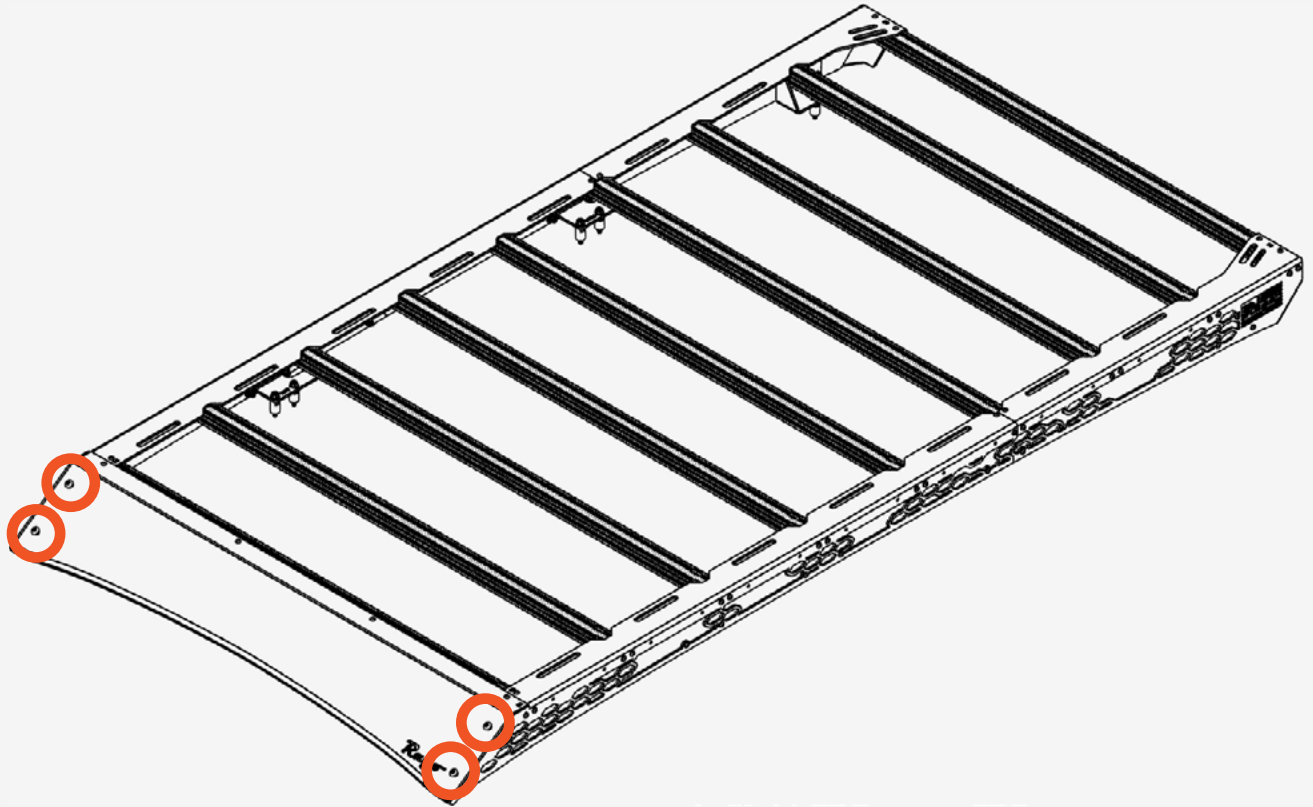
□ STEP 3

Install the provided (C) 1/4" hardware into the T-nuts installed from **step 2** using a (5/32 allen).



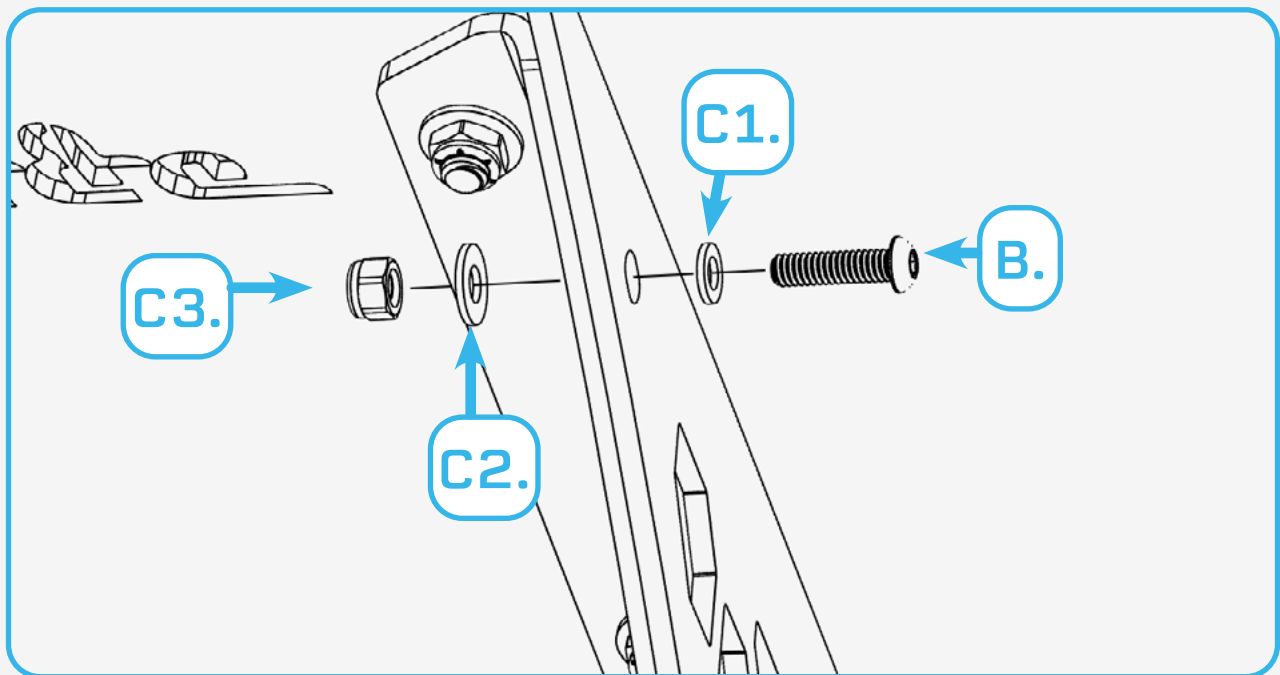
□ STEP 4

Install the provided **(E, E1, E2)** 3/8" hardware using a (7/32 allen) and a (9/16 wrench).



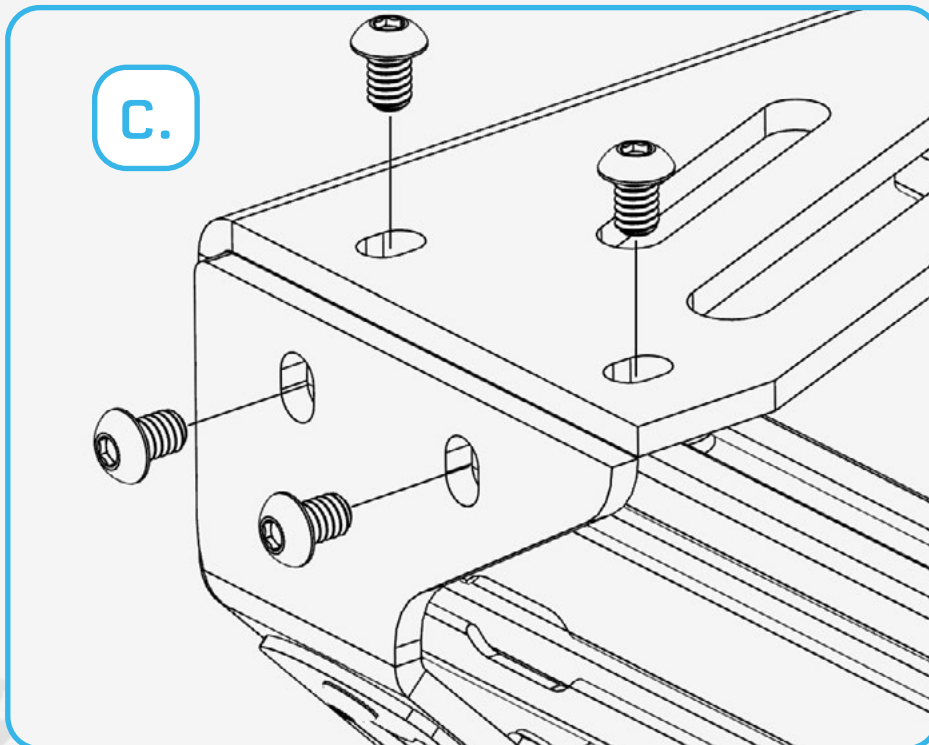
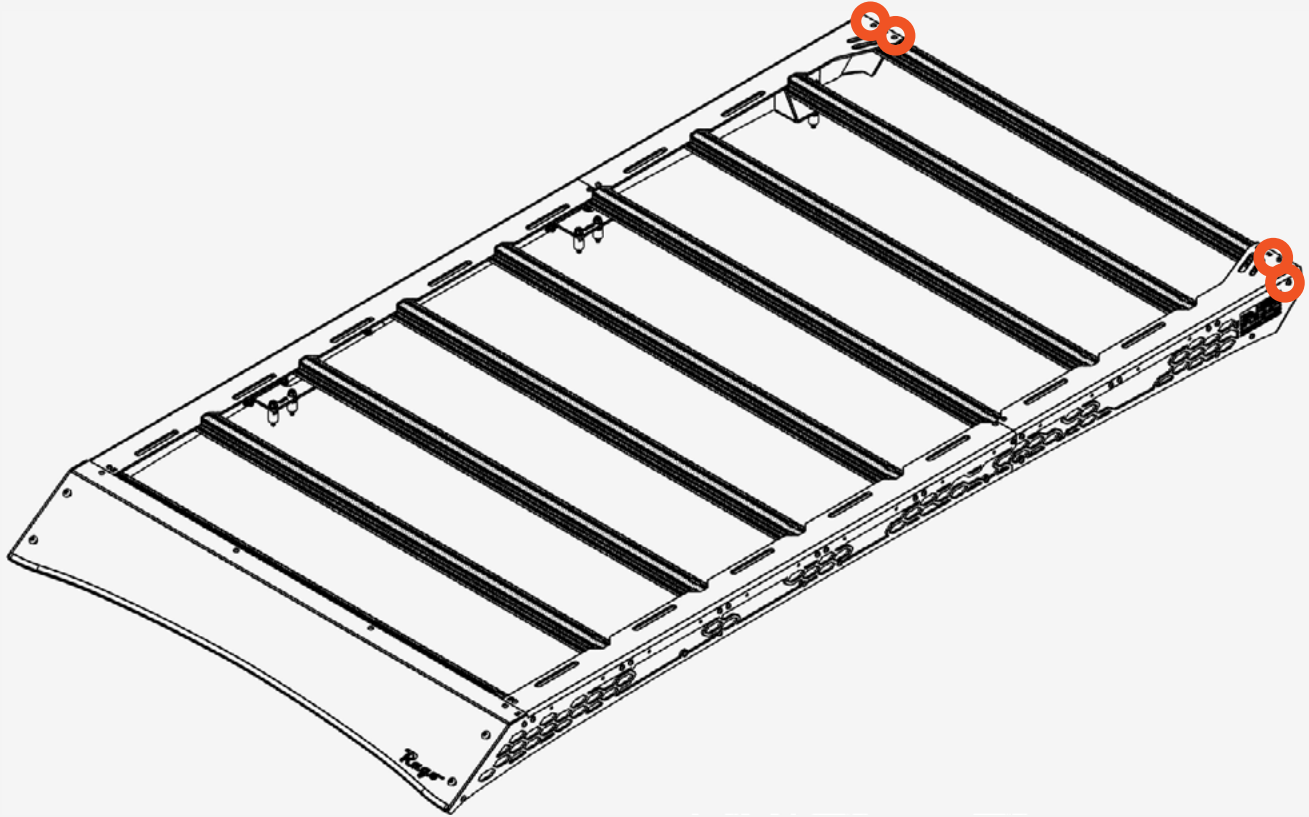
□ STEP 5

Install the provided **(B, C1, C2, C3)** 1/4" hardware using a (5/32 allen) and a (7/16 wrench).



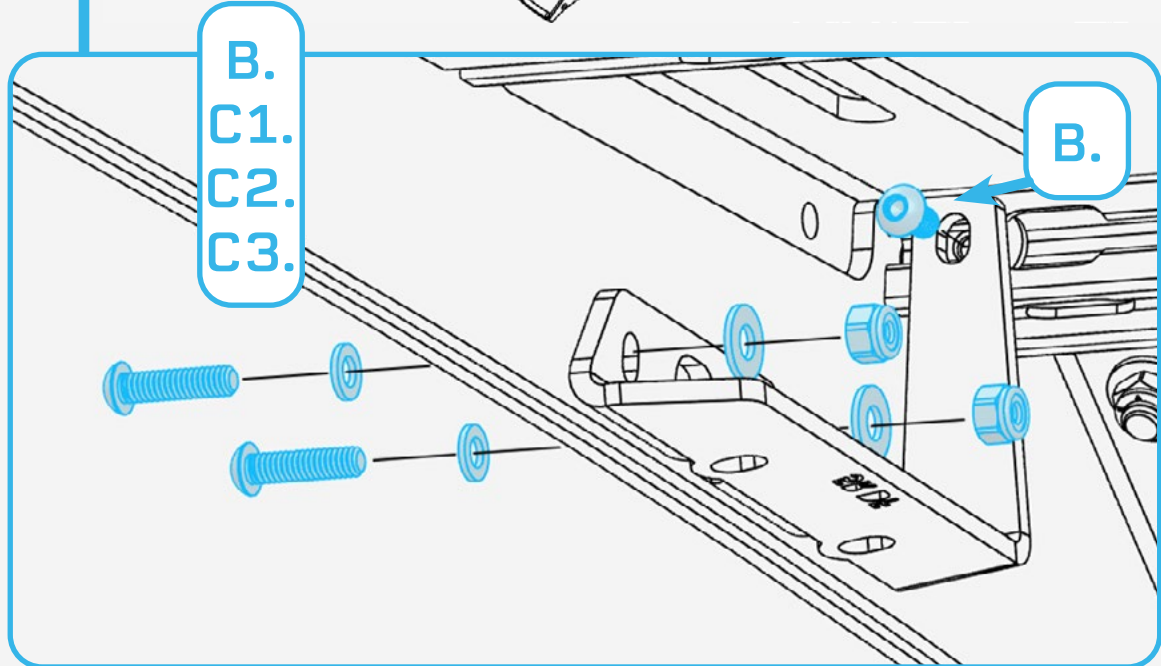
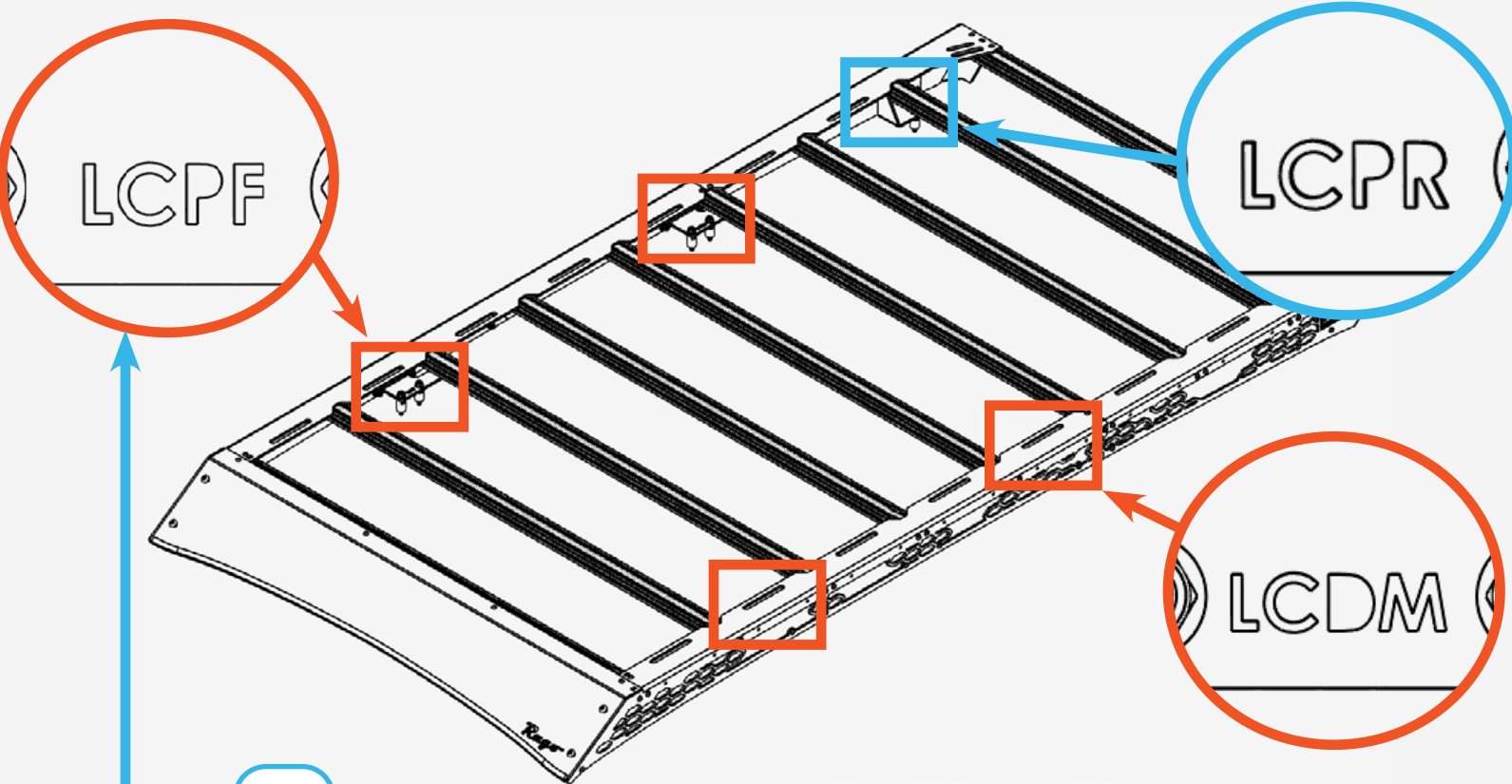
□ STEP 6

Fully install the rear rail with the provided (C) 1/4" hardware using a (5/32 allen) into the T-nuts installed on **step 2**.



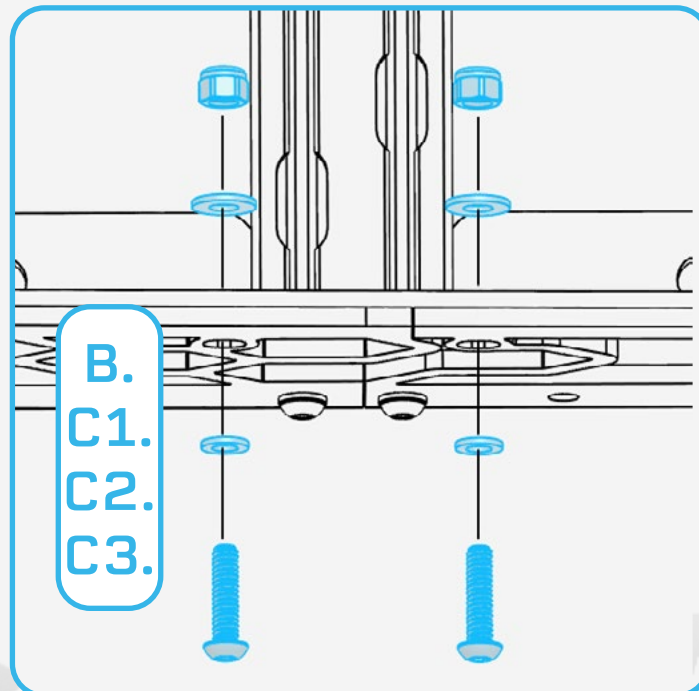
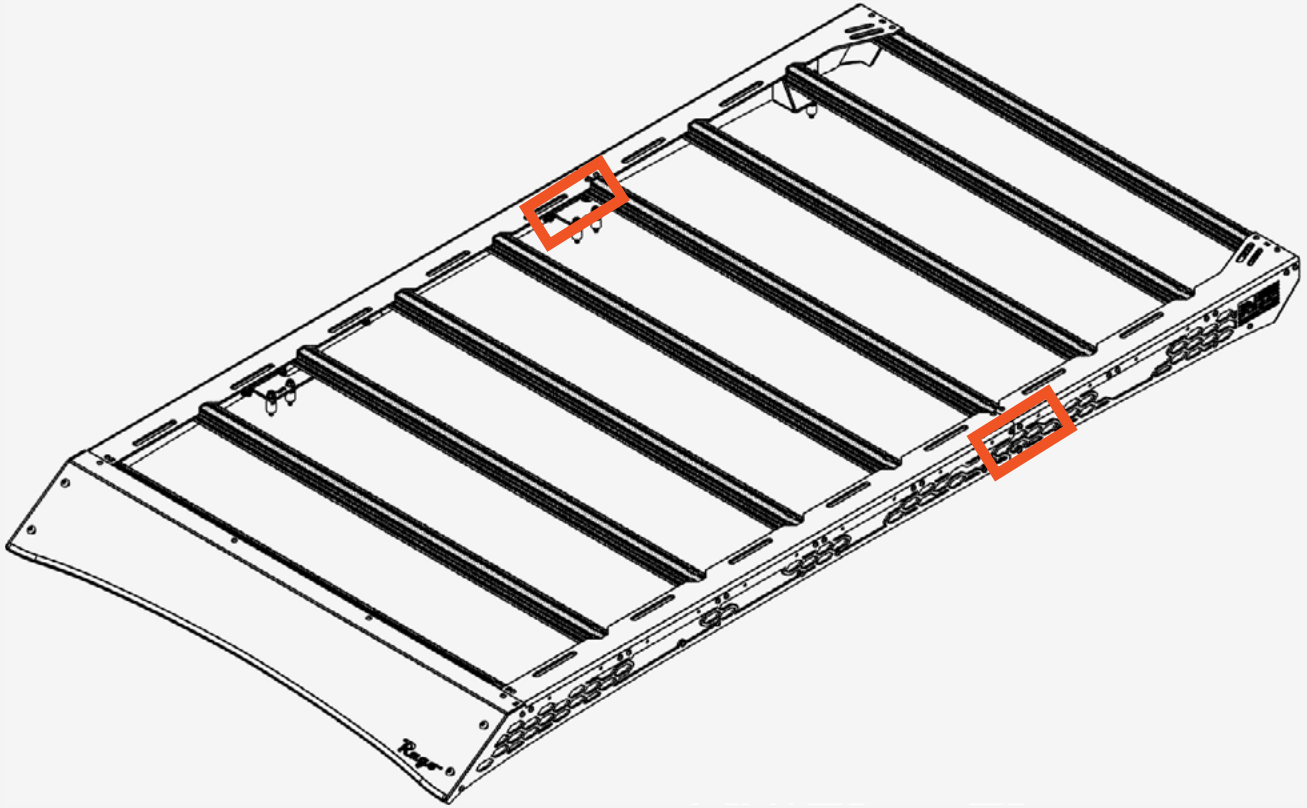
□ STEP 7

Install the mounts in the locations highlighted below with the provided **(B, C1, C2, C3)** and **(C)** 1/4" hardware using a (5/32 allen) and a (7/16 wrench).



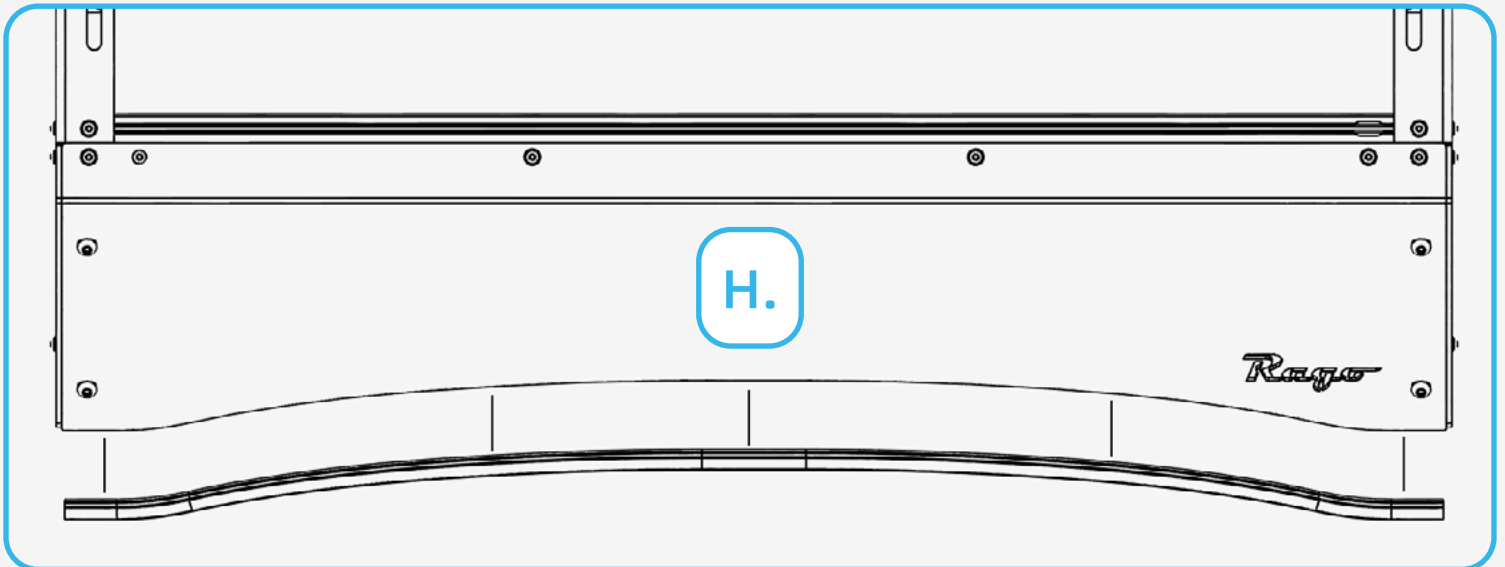
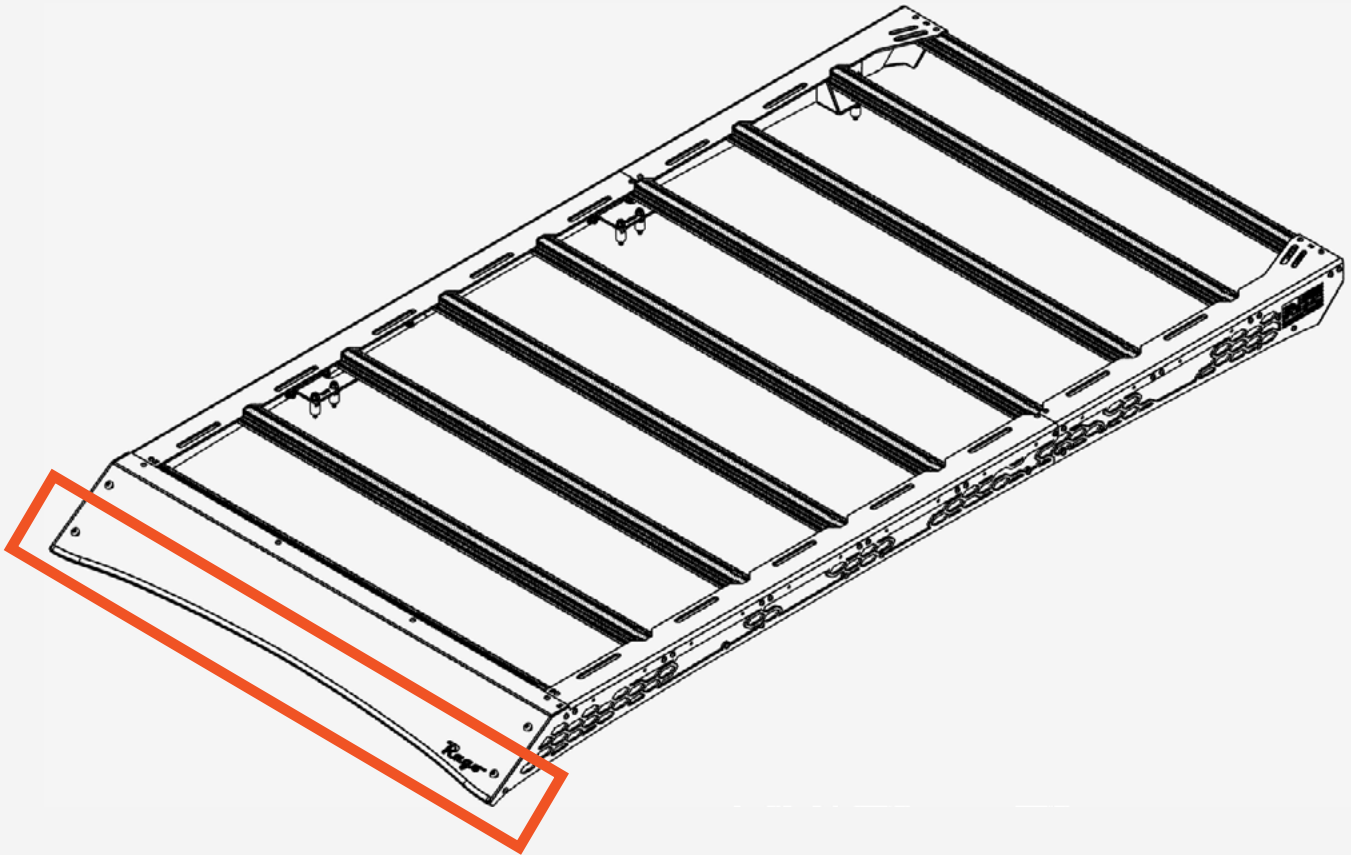
□ STEP 8

Install the provided **(B, C1, C2, C3)** 1/4" hardware in the highlighted locations as shown below using a (5/32 allen) and a (7/16 wrench).



STEP 9

Install the **(H)** rubber gasket as shown below. Cut excess as needed.



□ STEP 10

Remove the OEM roof rack caps by using a pry tool of your choice. **(TECH TIP: Use a plastic pry tool so you do not damage the paint)**



□ STEP 11

Remove the OEM roof rack caps by using a pry tool of your choice. **(TECH TIP: Use a plastic pry tool so you do not damage the paint)**



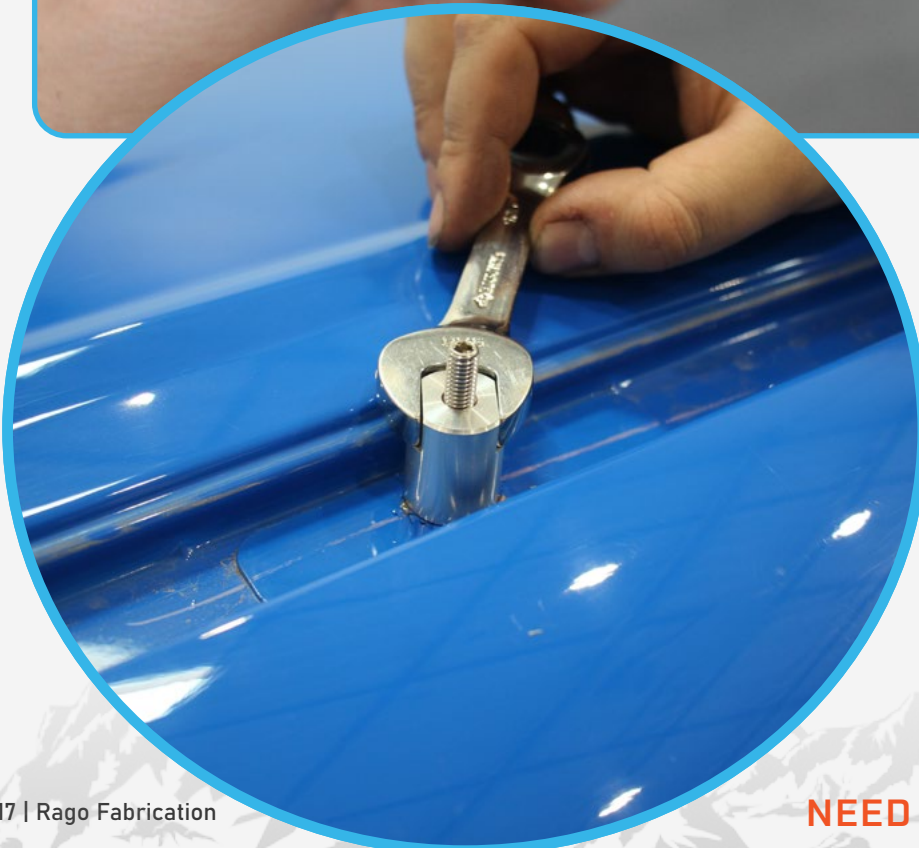
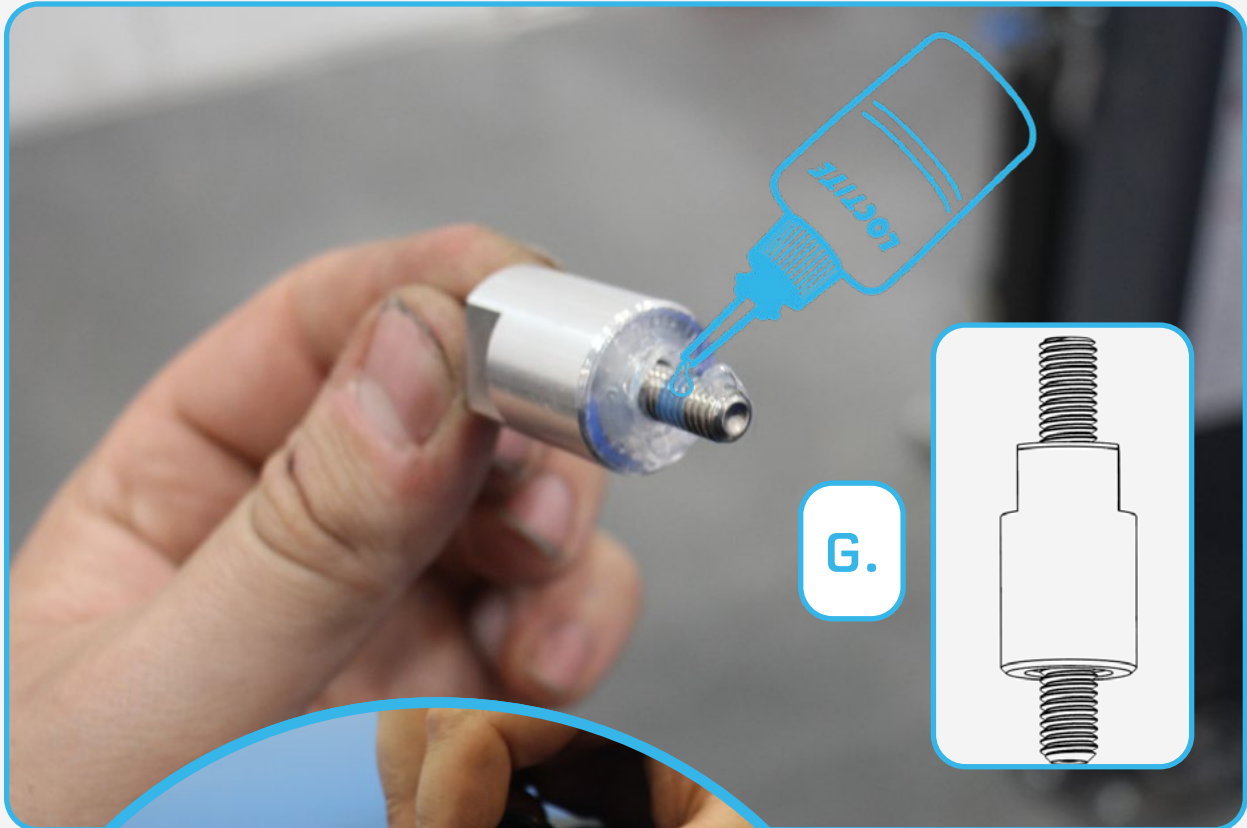
□ STEP 12

Using a (12mm socket) remove the mounting bolts.



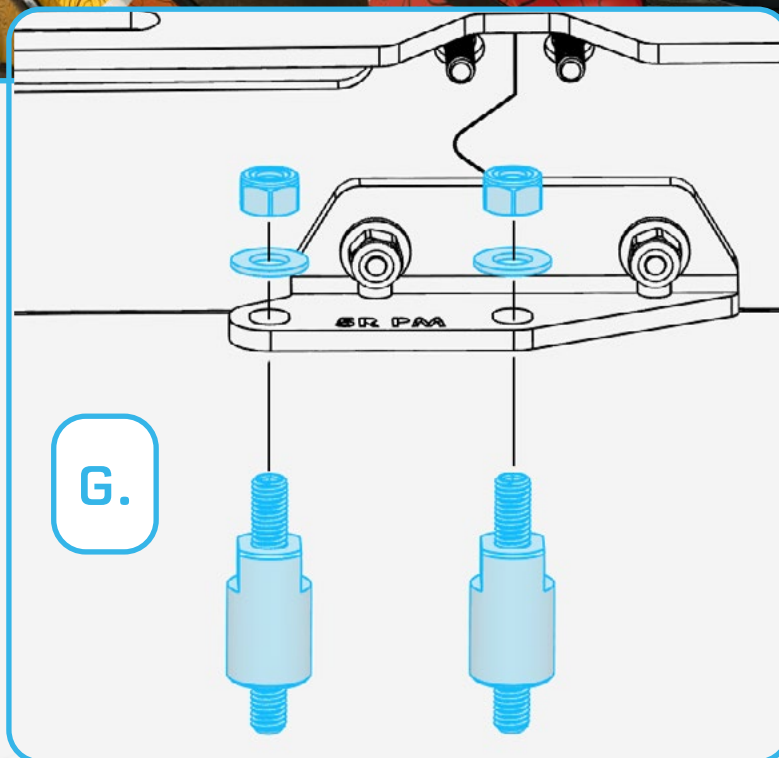
□ STEP 13

- Using the provided **(G)** aluminum studs, apply silicone onto the bottom of the aluminum spacer and **BLUE LOCTITE** to the threads. **(Ensure you apply these only on the bottom end of the spacers)**
- You can now install the aluminum studs **(G)** into the holes located from **step 11** using a (9/16 wrench). **DO NOT OVER TIGHTEN**



□ STEP 14

With a helping hand, install the roof rack onto the aluminum studs installed on **step 13** with the provided **(G)** threaded spacer nut and washer as shown below using a **(13mm wrench)**.



□ STEP 15

Stand back and enjoy your new RAGO Roof Rack With Solid Valence.

Check and re-tighten all mounting bolts after 100 miles and periodically thereafter.

