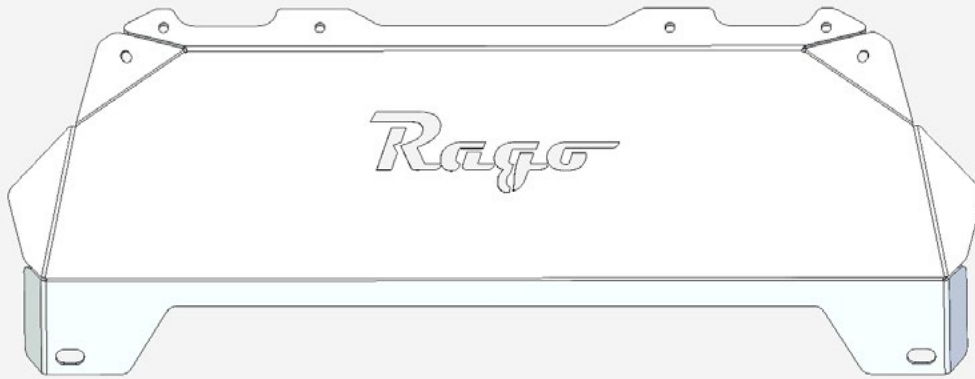


SKID PLATE FOR CENTER MOUNT FRONT BUMPER

2016-2023/TOYOTA TACOMA

AC6806903NA



TOOLS REQUIRED

- 3/4 sockets
- 3/4 wrenches
- 7/32 Hex

SKILL LEVEL

- Easy

TIME REQUIRED

- Approximately 10 Minutes

WARNINGS/CAUTIONS BEFORE STARTING INSTALLATION

-BEFORE YOU INSTALL THIS KIT-

Read and understand all instructions, warnings, cautions, & notes contained in this installation instruction guide. Consult your vehicle owner's manual for proper disconnection of electrical and lifting of vehicle if required for installation of this product.

This install may require some technical skills and knowledge of basic mechanical work. If you do not feel that you are capable of performing this install please take this product to a trained professional.

After reading this guide please contact us with any questions or concerns before installing product.

Customer Service: 830-896-7571

Rago Fabrication is **not** responsible for any bodily injury or harm to you or your vehicle as a result of an improper install.

Proper installation of this kit required knowledge of the factory recommended procedures for removal and installation of original equipment components.

We recommend that the factory shop manual and any special tools needed to service your vehicle be on hand during the installation. Installation of this kit without proper knowledge of the factory recommended procedures may affect the

performance of these components and the safety of the vehicle.

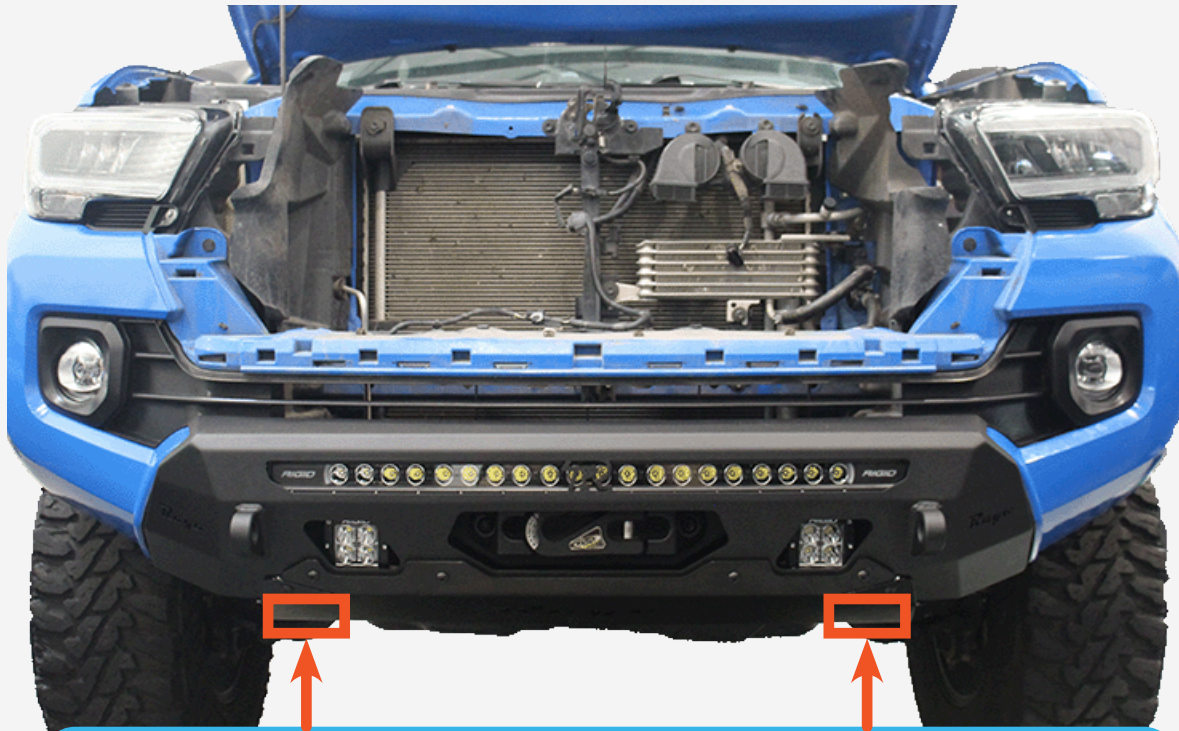
Inspect all contents of this package to make sure product is not damaged and all installation hardware has been included. If parts are missing from kit, please be prepared to provide the following information:

1. Name of purchase location
2. Bar Code on side of box
3. Date above bar code
4. Date inside box cover

ALWAYS WEAR EYE PROTECTION WHEN OPERATING POWER TOOLS

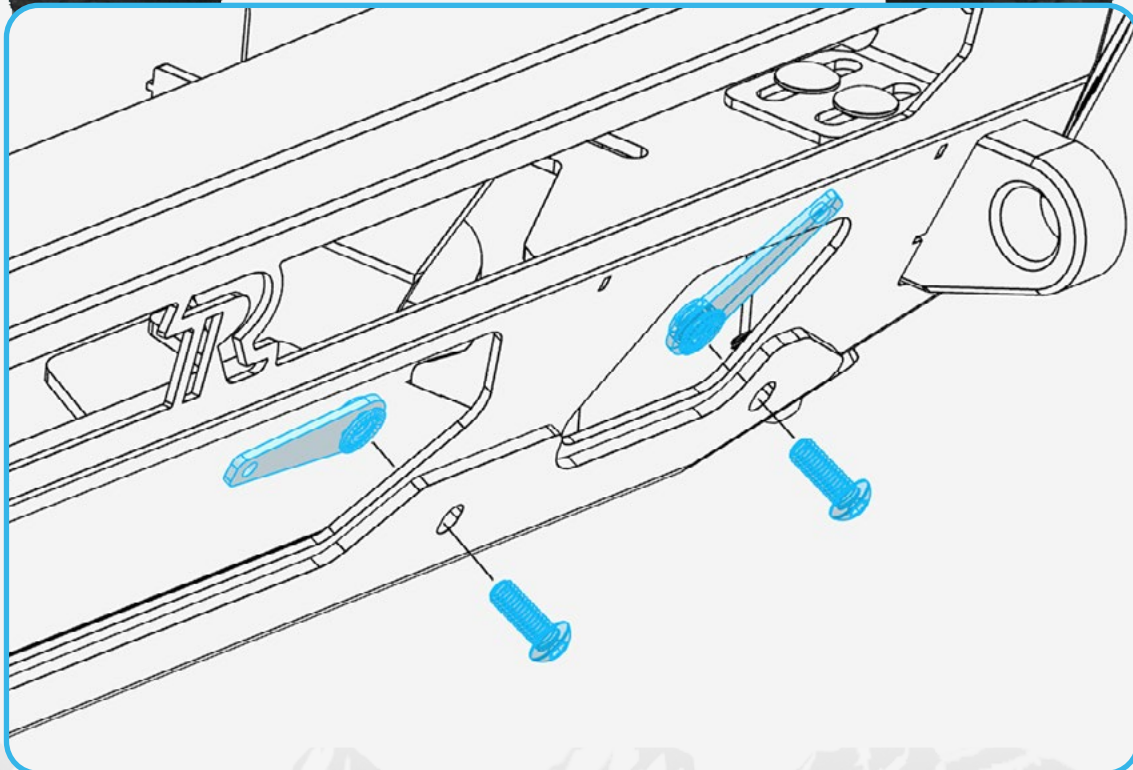
□ STEP 1

Remove the hardware installed on **step 19** from the bumper install guide.



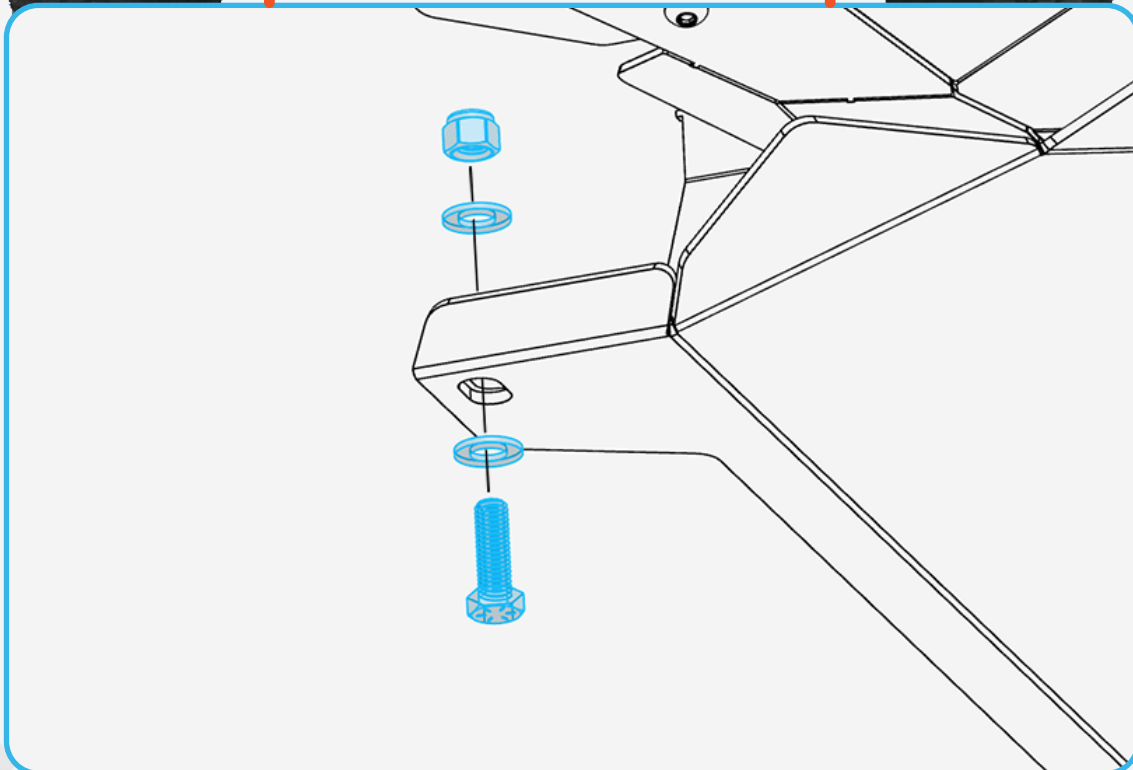
□ STEP 2

Install the skid plate with the hardware provided from the bumper as shown below using a (7/32 allen).



□ STEP 3

Next, re-install the hardware removed from **step 1**. Return to the install guide for the Center Mount Front Bumper to complete the install.



STEP 4

Stand back and enjoy your new RAGO Skid Plate For Center Mount Front Bumper. Check and re-tighten all mounting bolts after 100 miles and periodically thereafter.

