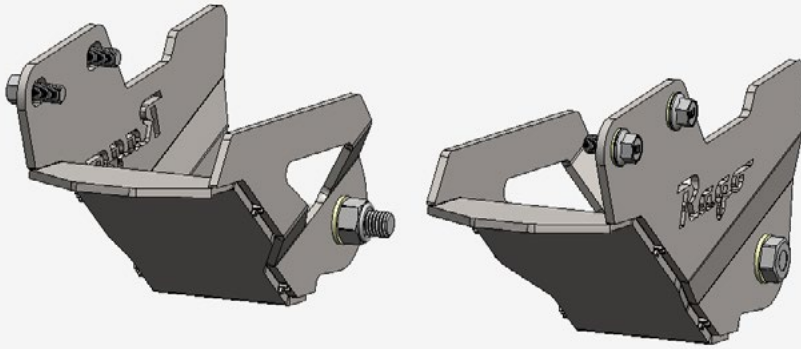


TRAILING ARM FRAME MOUNT SKID 2024/TOYOTA TACOMA AC6706801NA



TOOLS REQUIRED

- 3/4, 22mm Wrench
- 14mm, 22mm Socket
- Torque Wrench

SKILL LEVEL

- Intermediate

TIME REQUIRED

- Approximately 30 Minutes

WARNINGS/CAUTIONS BEFORE STARTING INSTALLATION

-BEFORE YOU INSTALL THIS KIT-

Read and understand all instructions, warnings, cautions, & notes contained in this installation instruction guide. Consult your vehicle owner's manual for proper disconnection of electrical and lifting of vehicle if required for installation of this product.

This install may require some technical skills and knowledge of basic mechanical work. If you do not feel that you are capable of performing this install please take this product to a trained professional.

After reading this guide please contact us with any questions or concerns before installing product.

Customer Service: 830-896-7571
Rago Fabrication is not responsible for any bodily injury or harm to you or your vehicle as a result of an improper install.

Proper installation of this kit required knowledge of the factory recommended procedures for removal and installation of original equipment components.

We recommend that the factory shop manual and any special tools needed to service your vehicle be on hand during the installation. Installation of this kit without proper knowledge of the factory recommended procedures may affect the

performance of these components and the safety of the vehicle.

Inspect all contents of this package to make sure product is not damaged and all installation hardware has been included. If parts are missing from kit, please be prepared to provide the following information:

1. Name of purchase location
2. Bar Code on side of box
3. Date above bar code
4. Date inside box cover

***ALWAYS WEAR EYE PROTECTION
WHEN OPERATING POWER TOOLS***

INSTALLATION GUIDE

HARDWARE

A.



M10-1.25 X 20MM HEX BOLT

QTY: 4

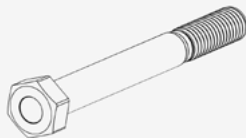
A1.



3/8" FLAT WASHER

QTY: 4

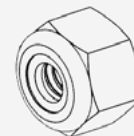
B.



M14-2.0 X 120MM HEX BOLT

QTY: 2

B1.



M14-2.0 NYLON LOCK NUT

QTY: 2

Reference this page throughout the install



INSTALLATION GUIDE

STEP 1

****Before removal, ensure to support the axle and install on a level surface****

Using a (3/4 Wrench) remove the trailing arm bolt as shown below.



INSTALLATION GUIDE

STEP 2

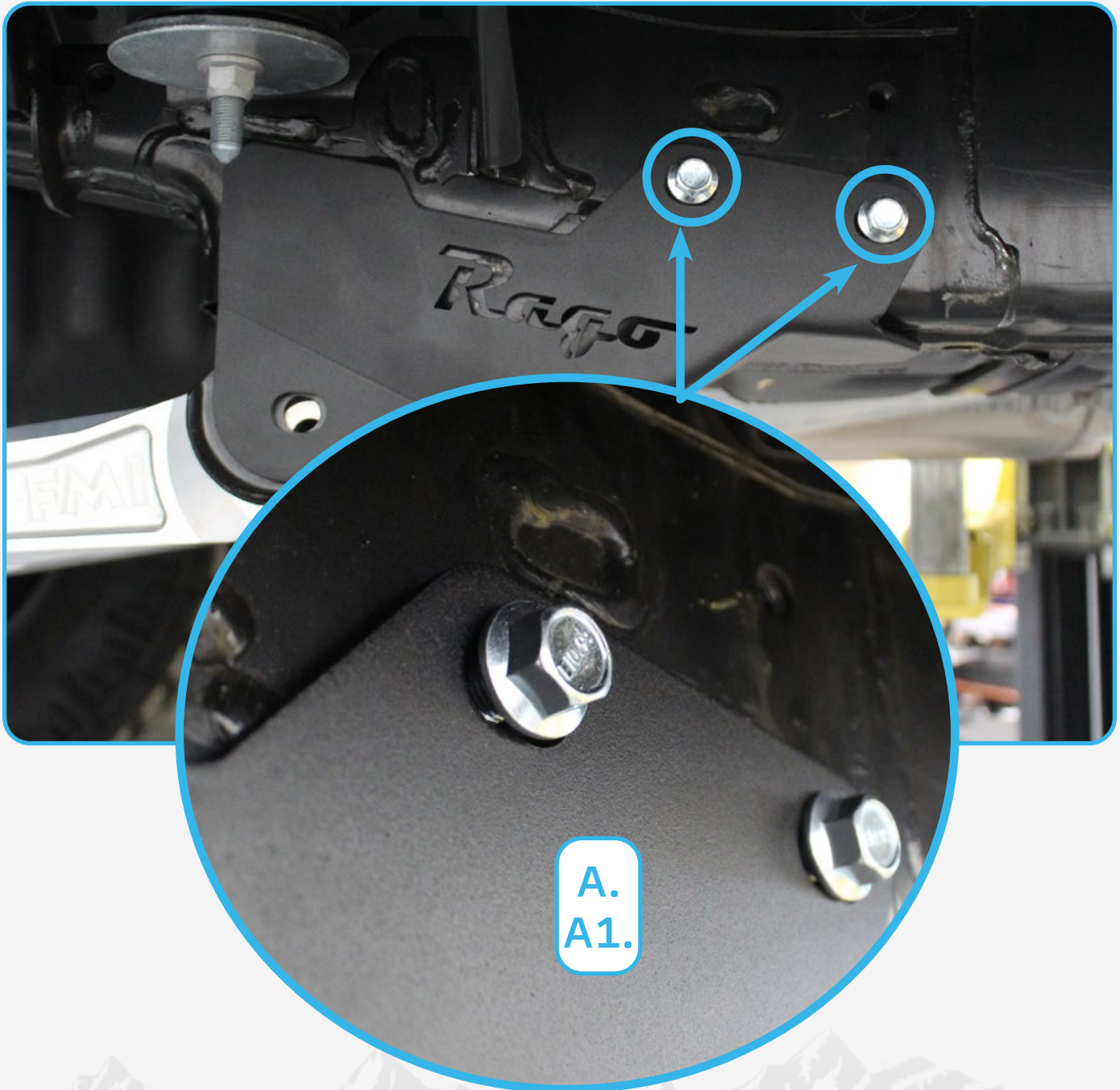
Install the skid by sliding from the front to the back as shown below.



INSTALLATION GUIDE

□ STEP 3

Install the provided (A, A1) M10 Hardware in the existing threaded holes as shown below using a (14mm Socket).



INSTALLATION GUIDE

□ STEP 4

Install the **(B, B1)** M14 Bolt into the trailing arm as shown below using a (22mm Wrench) and a (22mm Socket). Tighten to 103 lb-ft.



INSTALLATION GUIDE

STEP 5

Double check all hardware and fitment for security.

Enjoy your new Trailing Arm Frame Mount Skid.

