

ROOF RACK WITH SOLID VALENCE

2014-2024/TOYOTA 4RUNNER

AC660640103



TOOLS REQUIRED

- 7/16, 9/16, 12mm, 13mm sockets
- 7/16, 9/16, 12mm, 13mm wrenches
- Plastic Pry Tools
- 5/32, 7/32 Hex
 - Razor Blade
 - Blue Loctite
 - Uni Bit
- Tape Measure
- Rivet Nut Tool



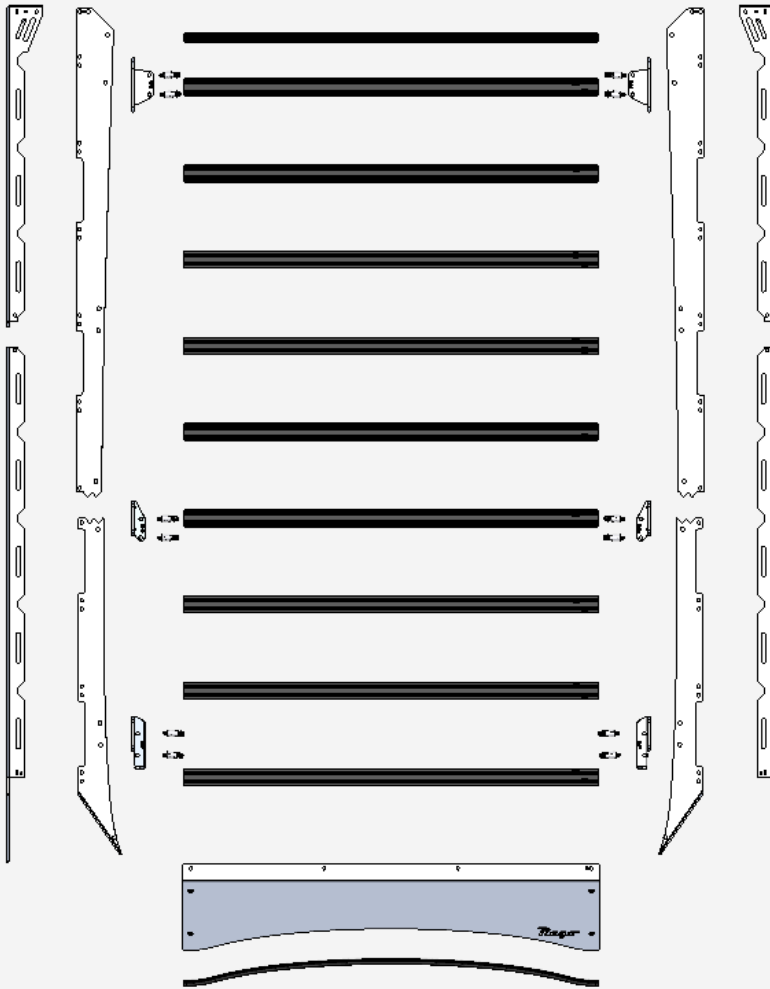
SKILL LEVEL

- Medium



TIME REQUIRED

- Approximately 3 Hours



⚠ WARNINGS/CAUTIONS BEFORE STARTING INSTALLATION ⚠

-BEFORE YOU INSTALL THIS KIT-

Read and understand all instructions, warnings, cautions, & notes contained in this installation instruction guide. Consult your vehicle owner's manual for proper disconnection of electrical and lifting of vehicle if required for installation of this product.

This install may require some technical skills and knowledge of basic mechanical work. If you do not feel that you are capable of performing this install please take this product to a trained professional.

After reading this guide please contact us with any questions or concerns before installing product.

Customer Service: 830-896-7571

Rago Fabrication is not responsible for any bodily injury or harm to you or your vehicle as a result of an improper install.

Proper installation of this kit required knowledge of the factory recommended procedures for removal and installation of original equipment components.

We recommend that the factory shop manual and any special tools needed to service your vehicle be on hand during the installation. Installation of this kit without proper knowledge of the factory recommended procedures may affect the

performance of these components and the safety of the vehicle.

Inspect all contents of this package to make sure product is not damaged and all installation hardware has been included. If parts are missing from kit, please be prepared to provide the following information:

1. Name of purchase location
2. Bar Code on side of box
3. Date above bar code
4. Date inside box cover

ALWAYS WEAR EYE PROTECTION WHEN OPERATING POWER TOOLS

HARDWARE

A.



M8-1.25mm RIVNUT

QTY: 4

A1.



M6 FLAT WASHER

QTY: 58

B.



1/4-20 X 1/2" BUTTON HEAD BOLT

QTY: 22

B1.



1/4-20 X 1" BUTTON HEAD BOLT

QTY: 58

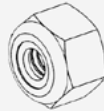
B2.



1/4" FLAT WASHER

QTY: 18

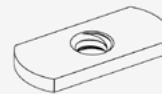
B3.



1/4-20" NYLON LOCK NUT

QTY: 18

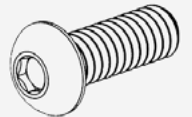
C.



1/4-20" T NUT

QTY: 22

D.



3/8-16 X 1" BUTTON HEAD BOLT

QTY: 4

D1.



3/8" FLAT WASHER

QTY: 4

D2.



3/8-16" NYLON JAM LOCK NUT

QTY: 4

E.



MUS0008

QTY: 12

F.



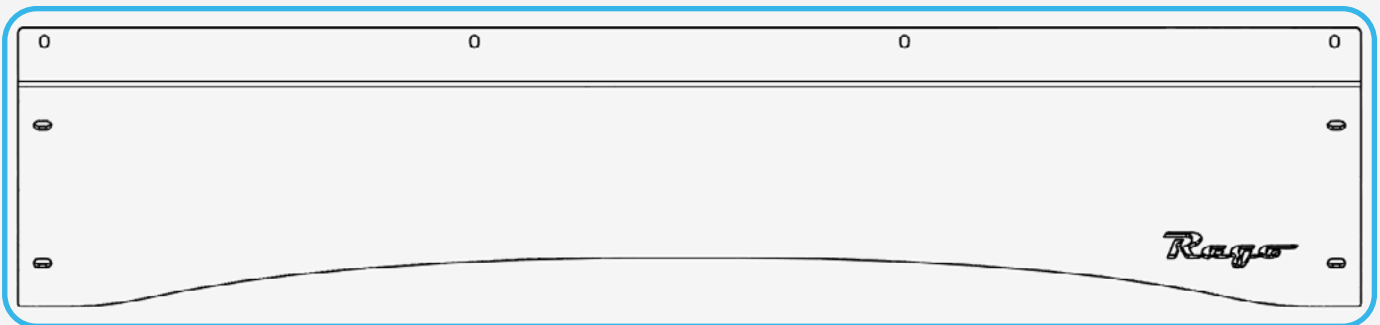
EDGE TRIM WITH GASKET

QTY: 1

Reference this page throughout the install

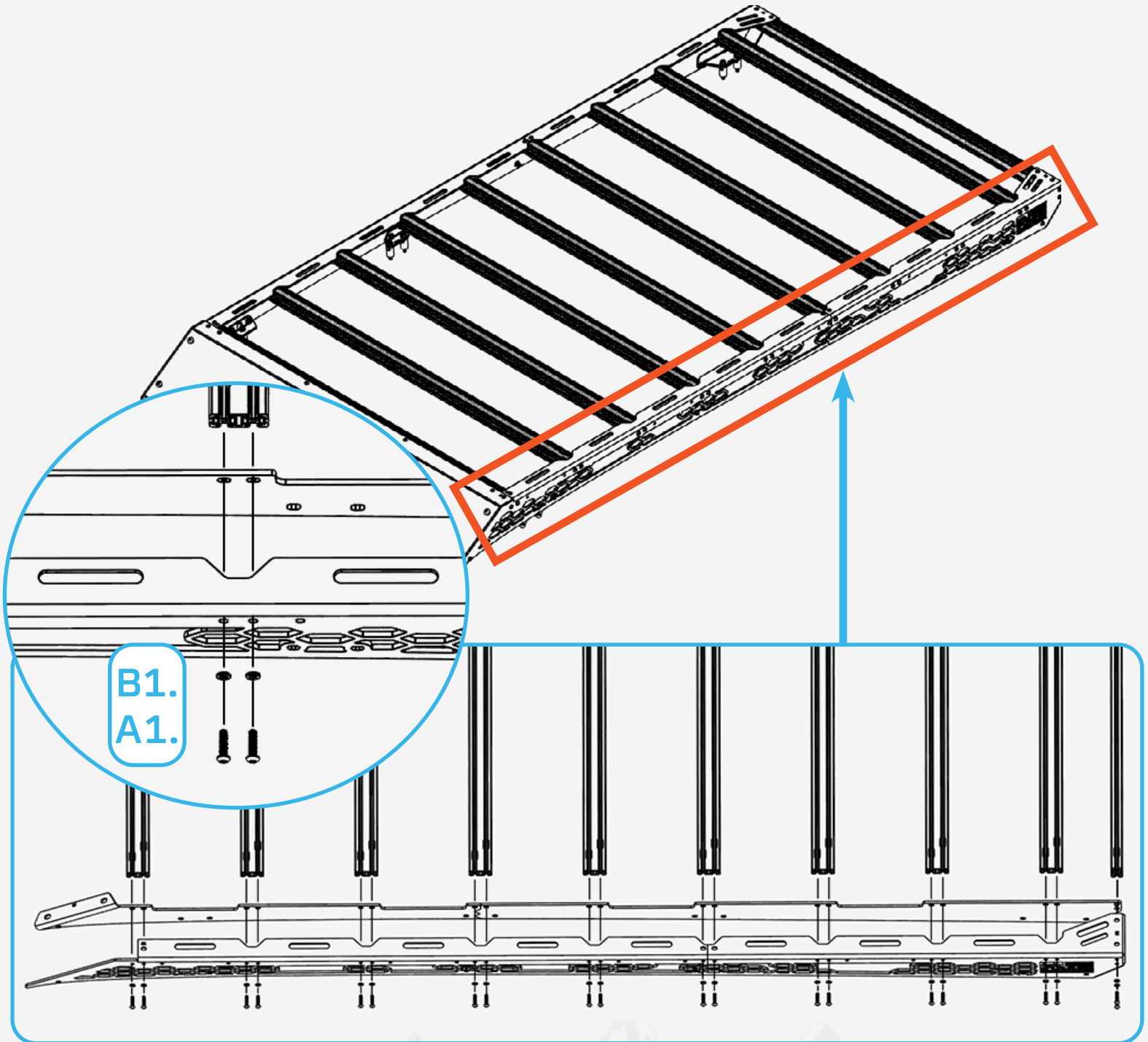


AC660640103



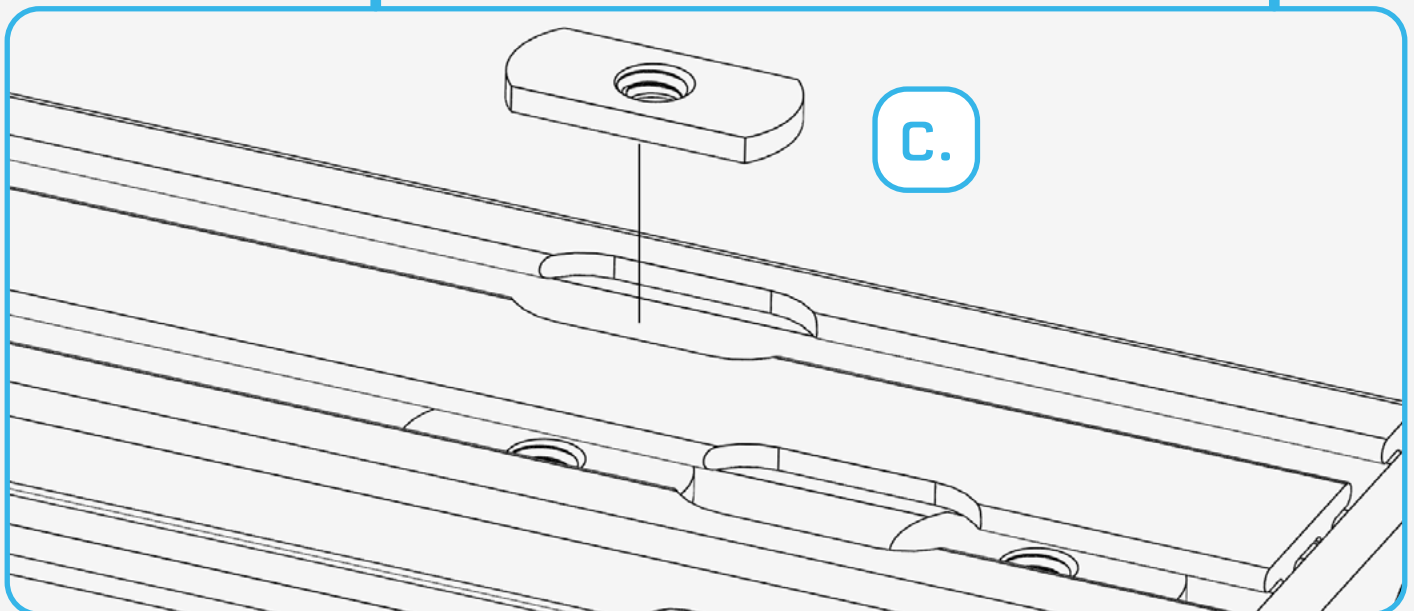
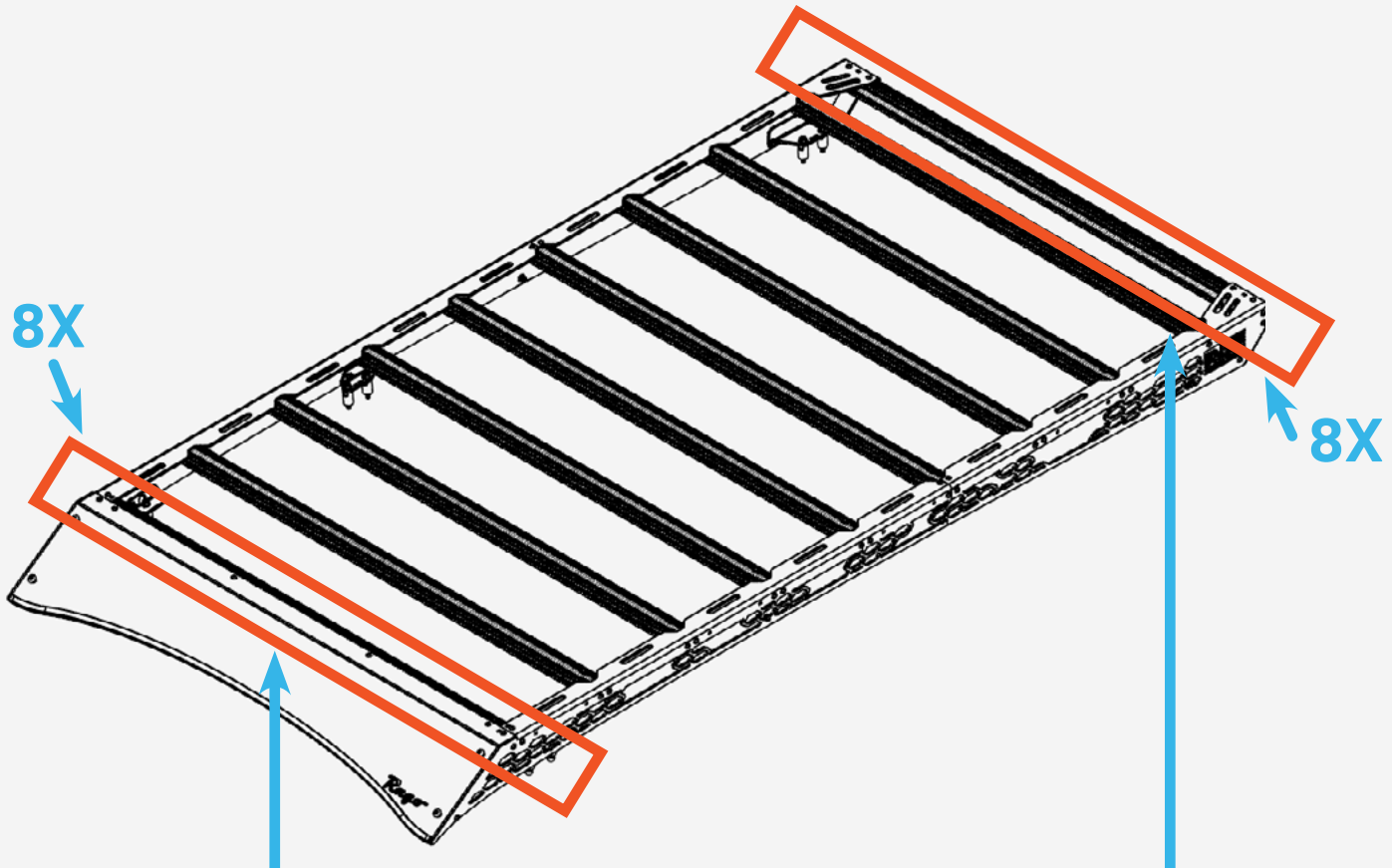
□ STEP 1

Install the rails to the backer plate and the side panel as shown below with the provided (B1, A1) 1/4" hardware and washers using a (5/32 allen).



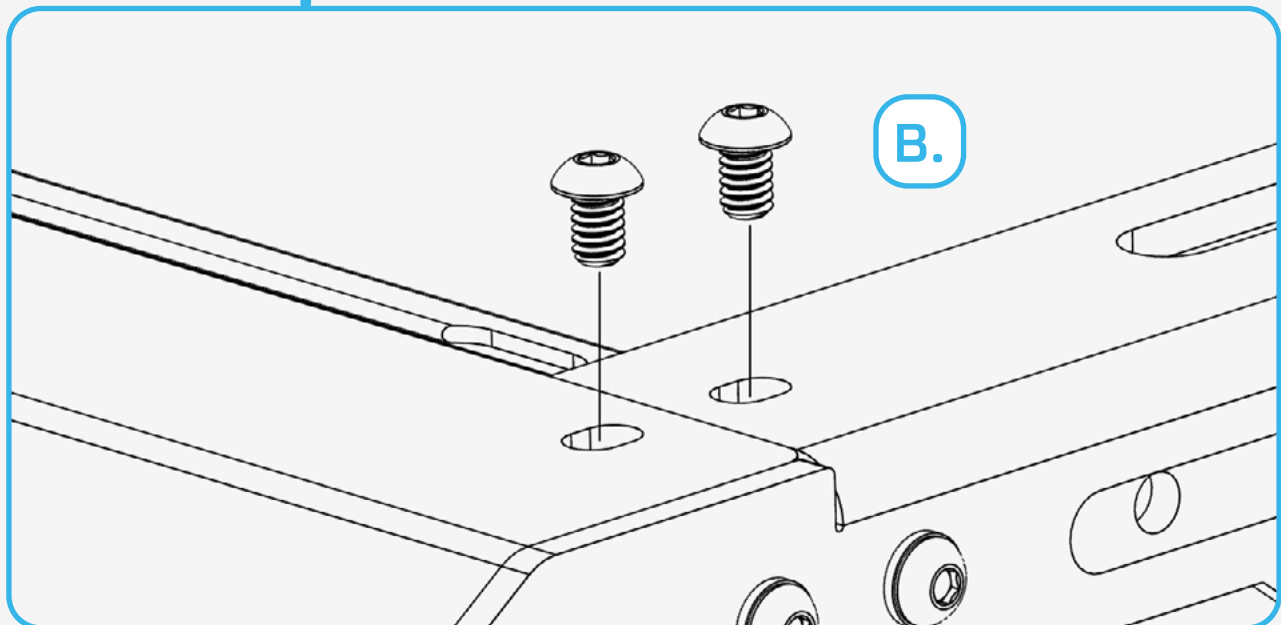
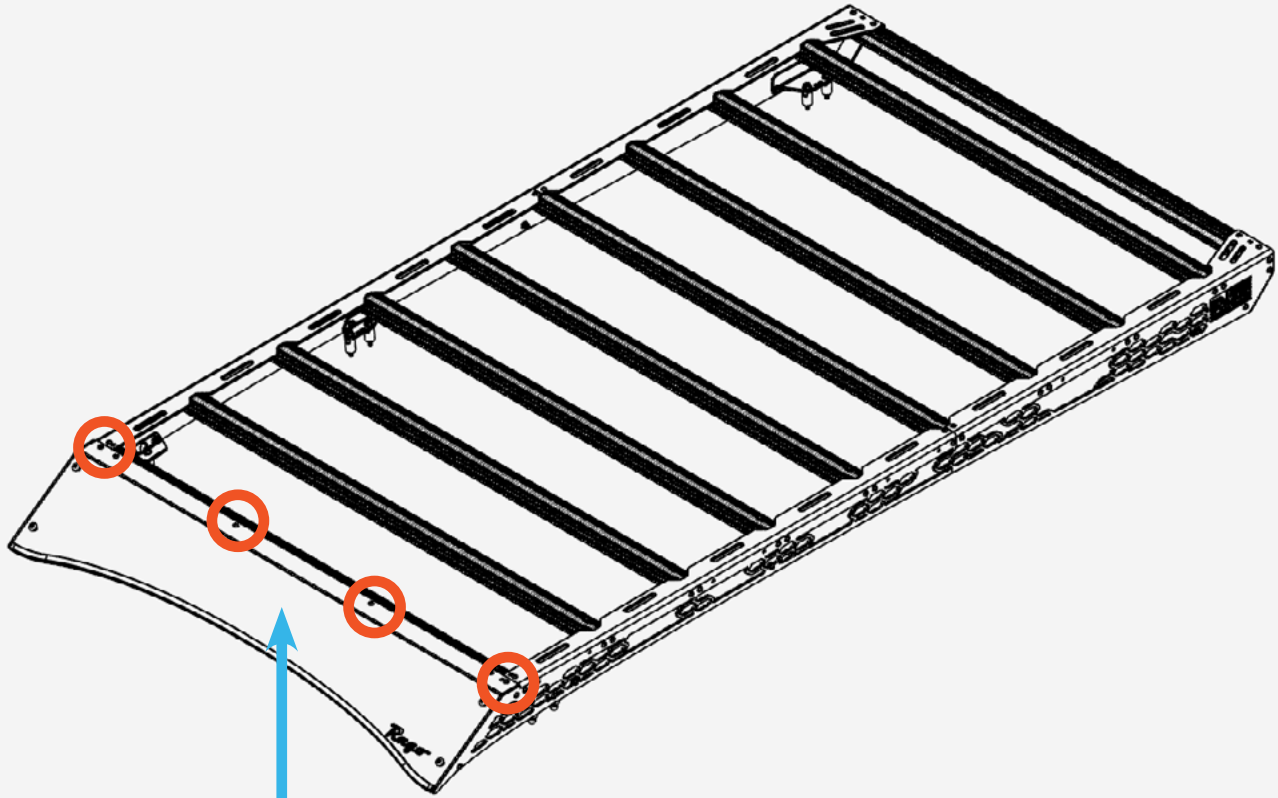
□ STEP 2

Install (C) T-nuts into the slots through the open slot located on one side of the rail.



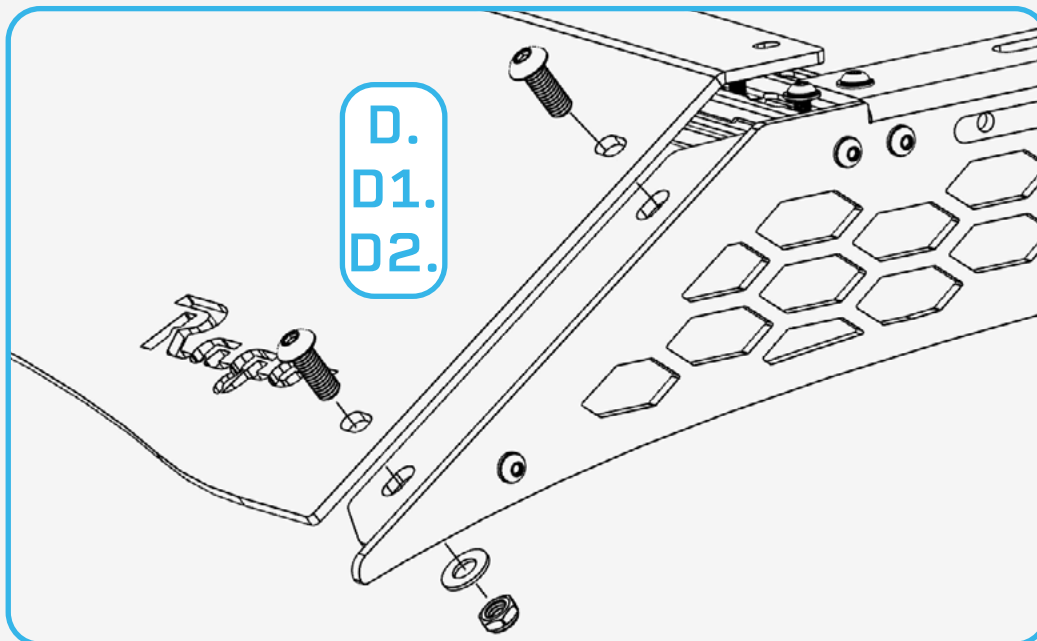
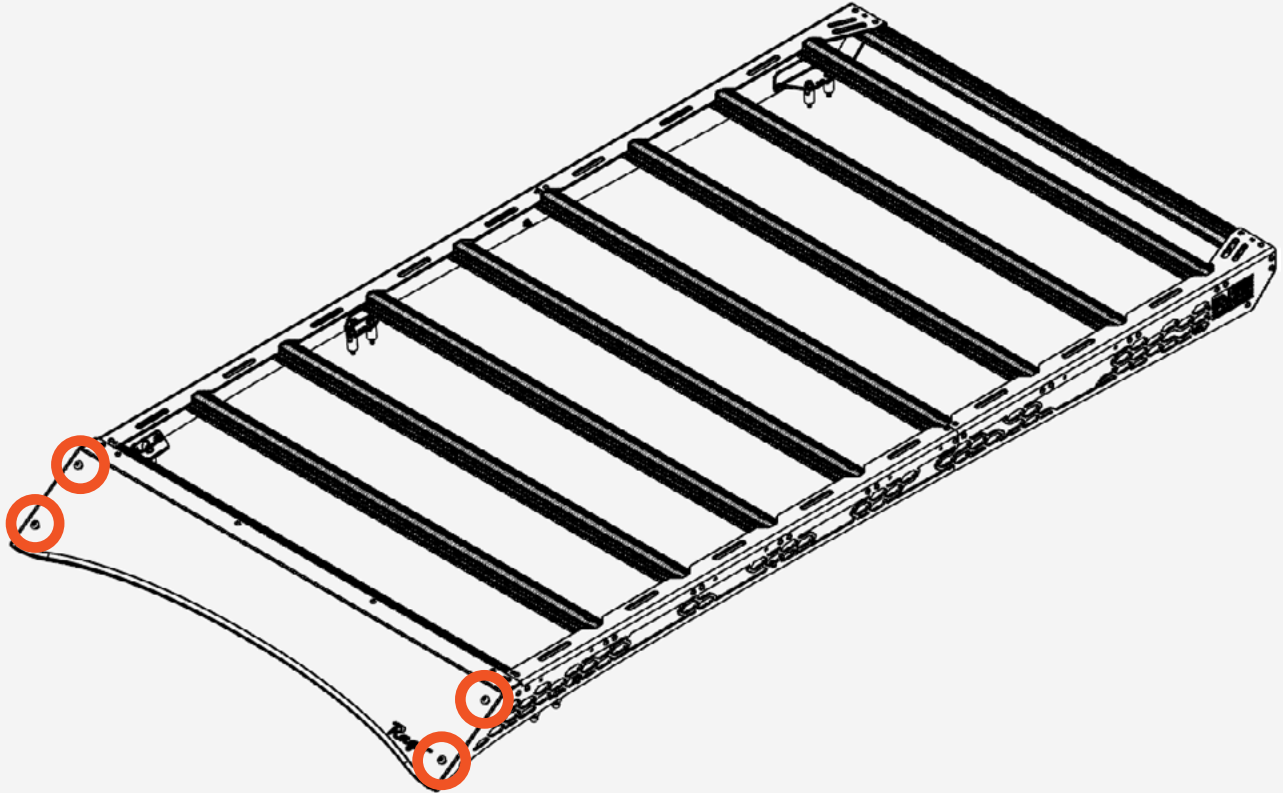
□ STEP 3

Install the provided **(B)** 1/4" hardware into the T-nuts installed from **step 2** using a (5/32 allen).



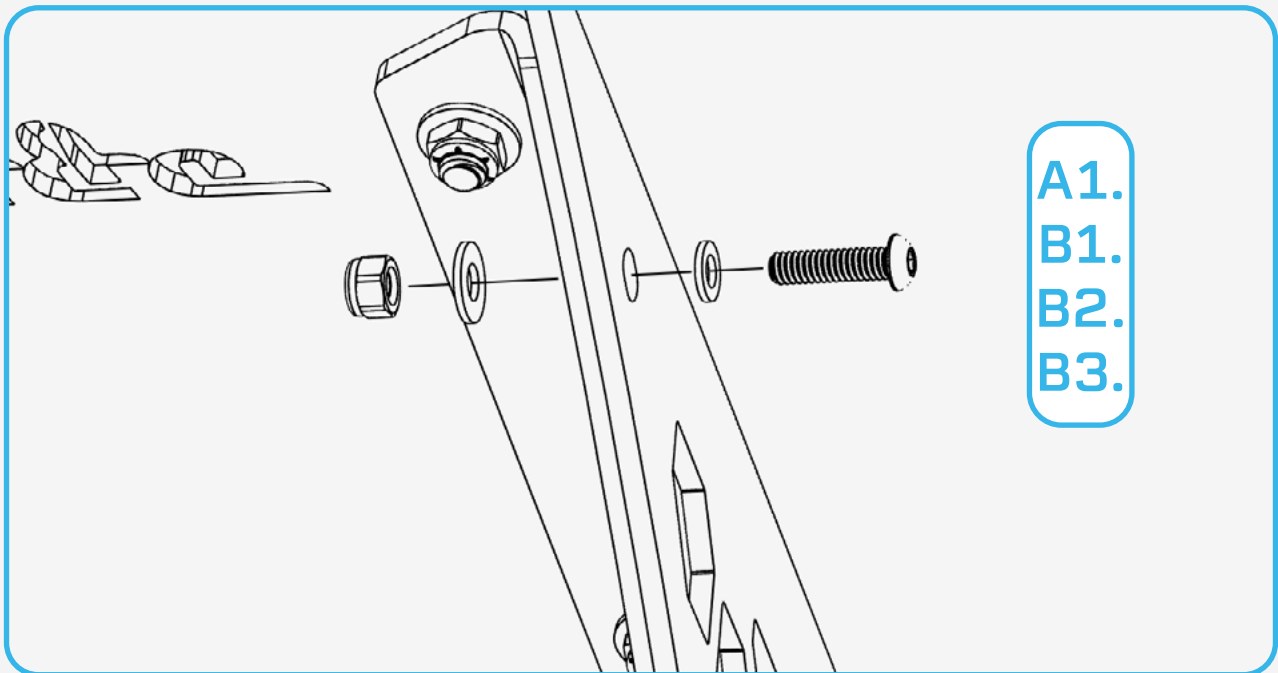
□ STEP 4

Install the provided (D, D1, D2) 3/8" hardware using a (7/32 allen) and a (9/16 wrench).



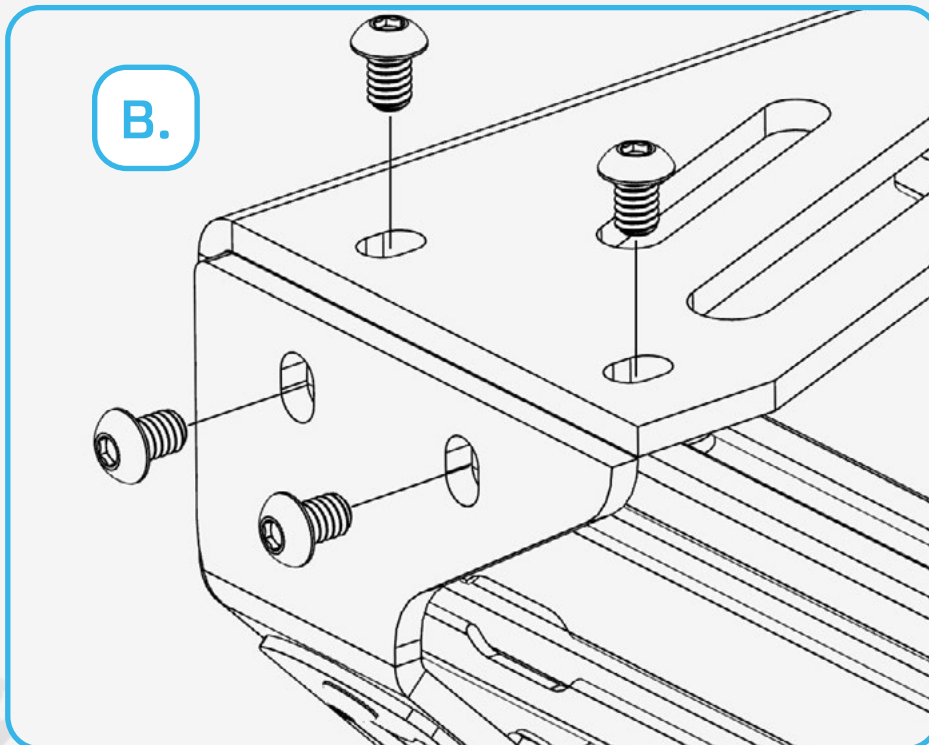
□ STEP 5

Install the provided **(A1, B1, B2, B3)** 1/4" hardware using a (5/32 allen) and a (7/16 wrench).



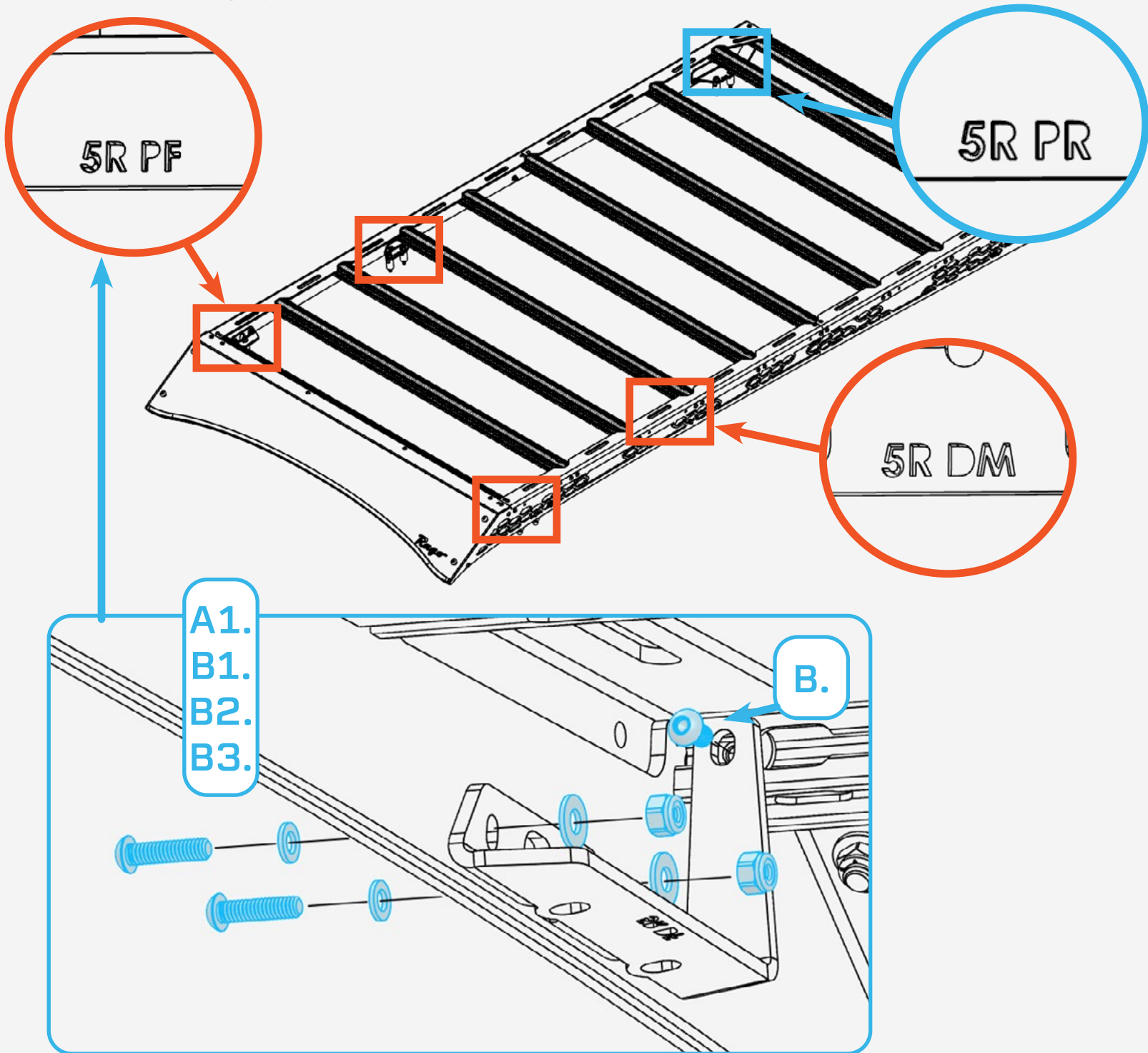
□ STEP 6

Fully install the rear rail with the provided **(B)** 1/4" hardware using a (5/32 allen) into the T-nuts installed on **step 2**.



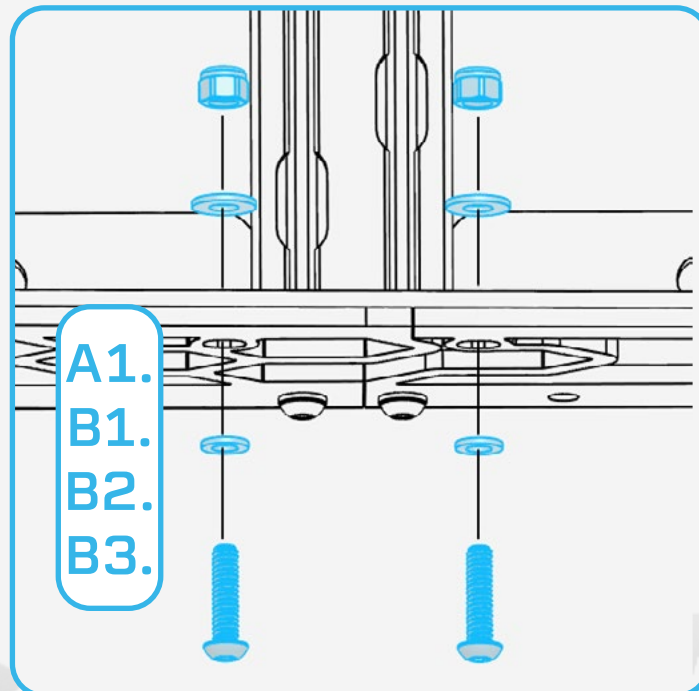
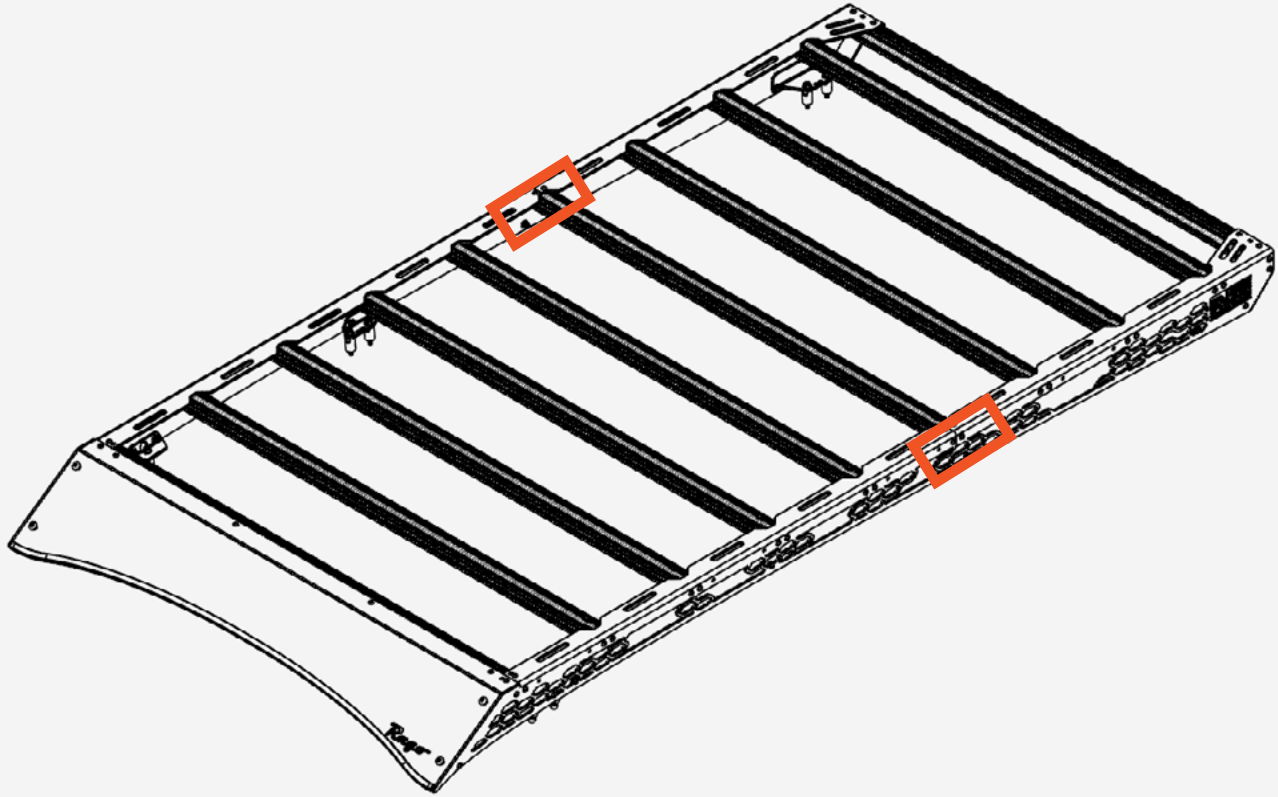
STEP 7

Install the mounts in the locations highlighted below with the provided **(A1, B1, B2, B3)** and **(B)** 1/4" hardware using a (5/32 allen) and a (7/16 wrench).



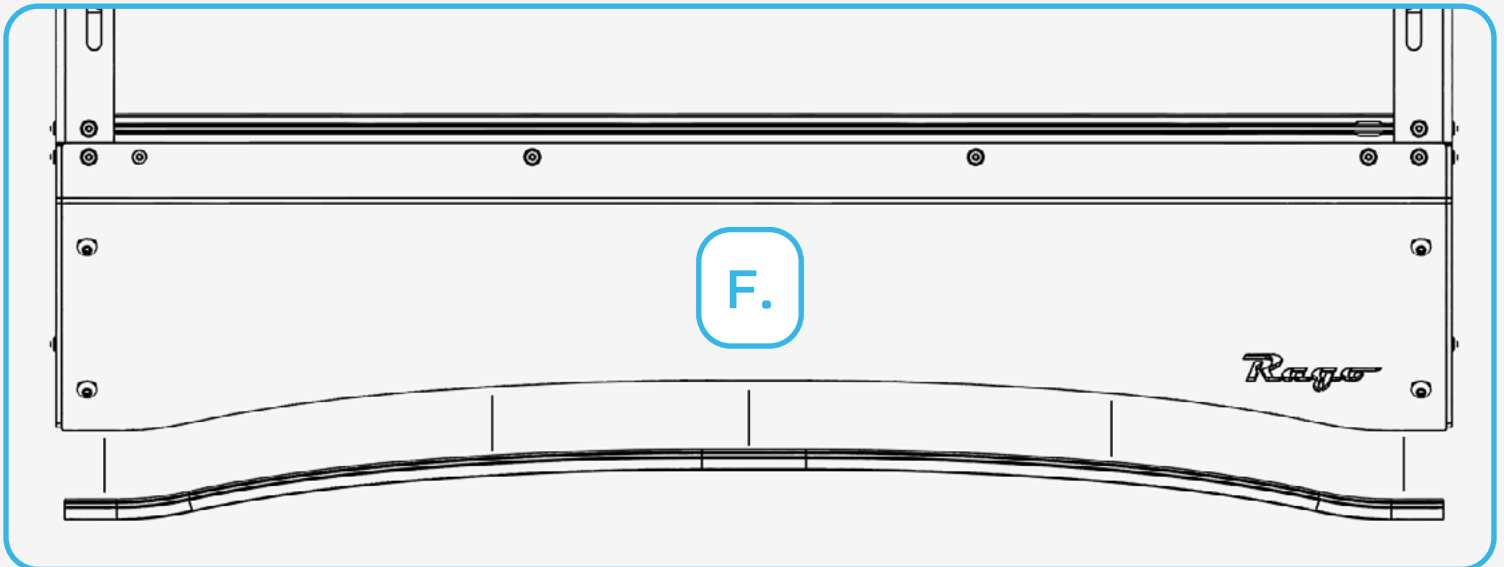
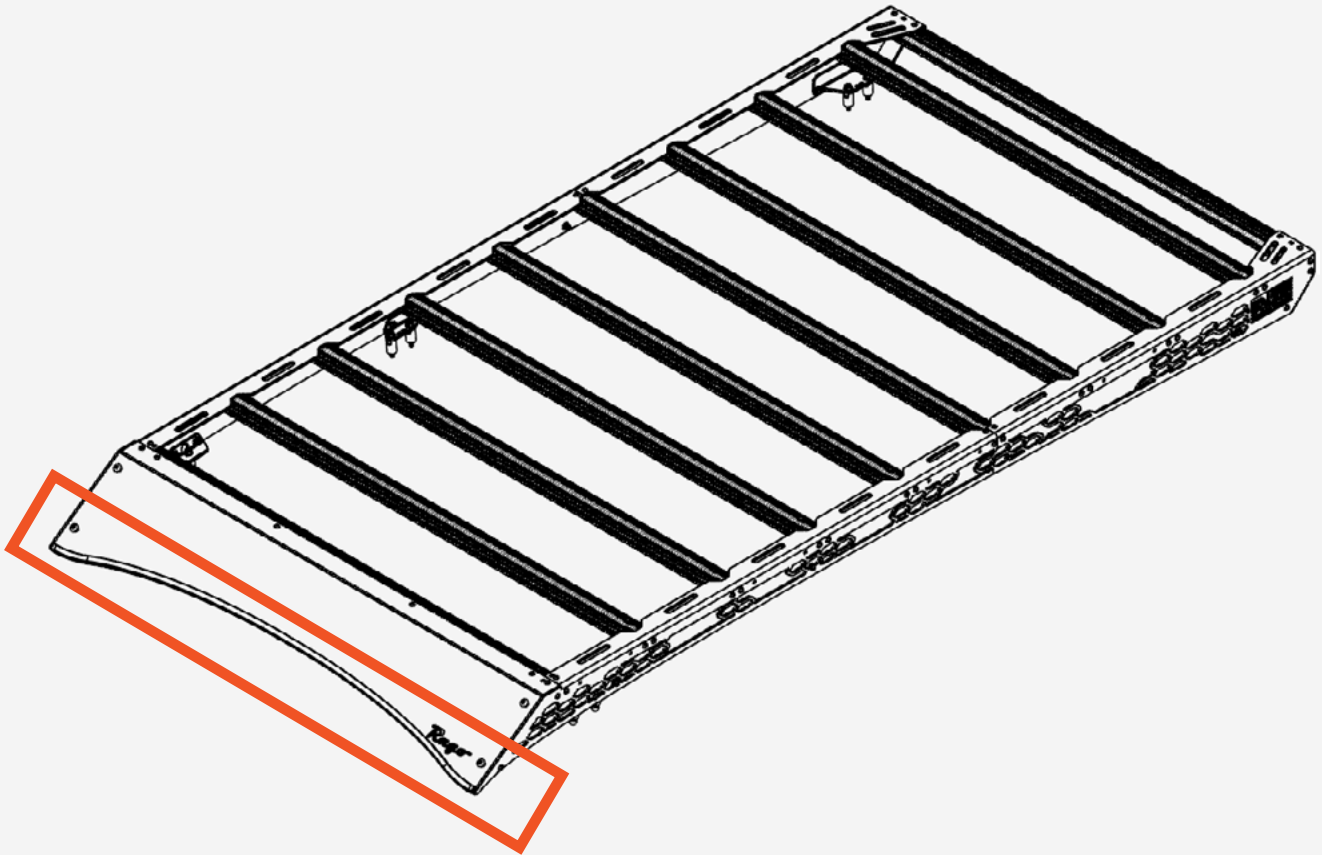
□ STEP 8

Install the provided (A1, B1, B2, B3) 1/4" hardware in the highlighted locations as shown below using a (5/32 allen) and a (7/16 wrench).



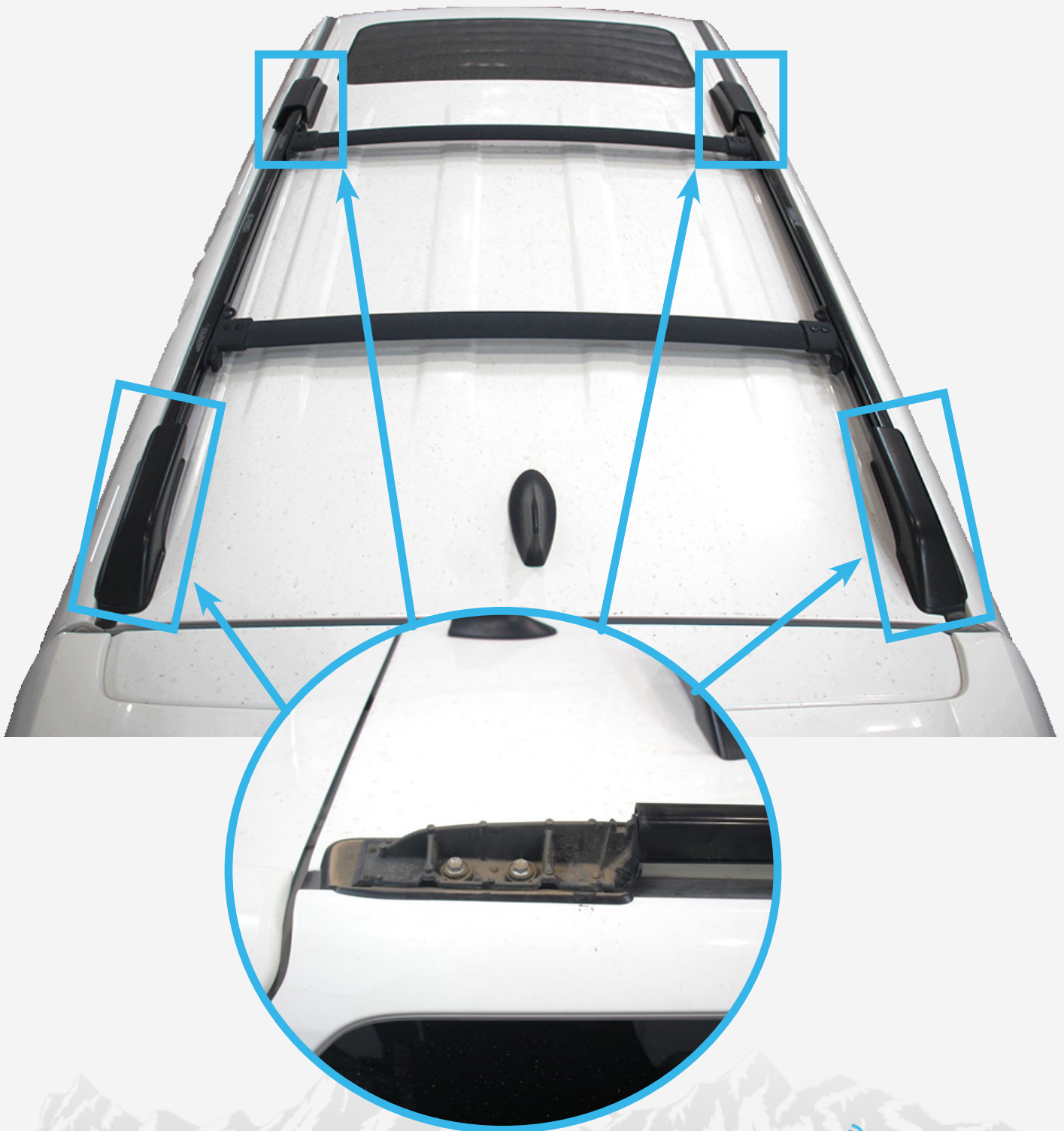
STEP 9

Install the **(F)** rubber gasket as shown below. Cut excess as needed.



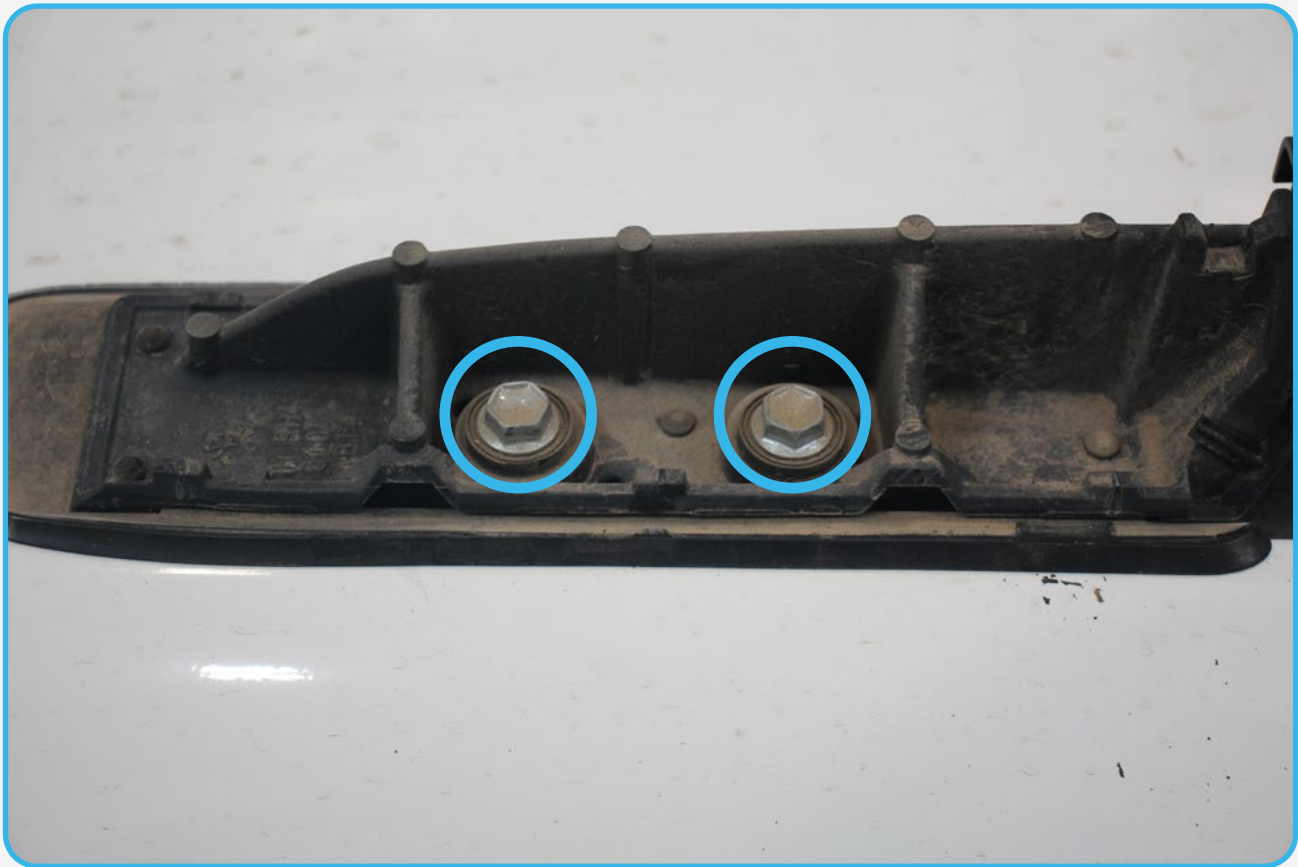
□ STEP 10

Remove the OEM roof rack caps by using a pry tool of your choice. **(TECH TIP: Use a plastic pry tool so you do not damage the paint)**



STEP 11

Using a (12mm socket) remove the mounting bolts.



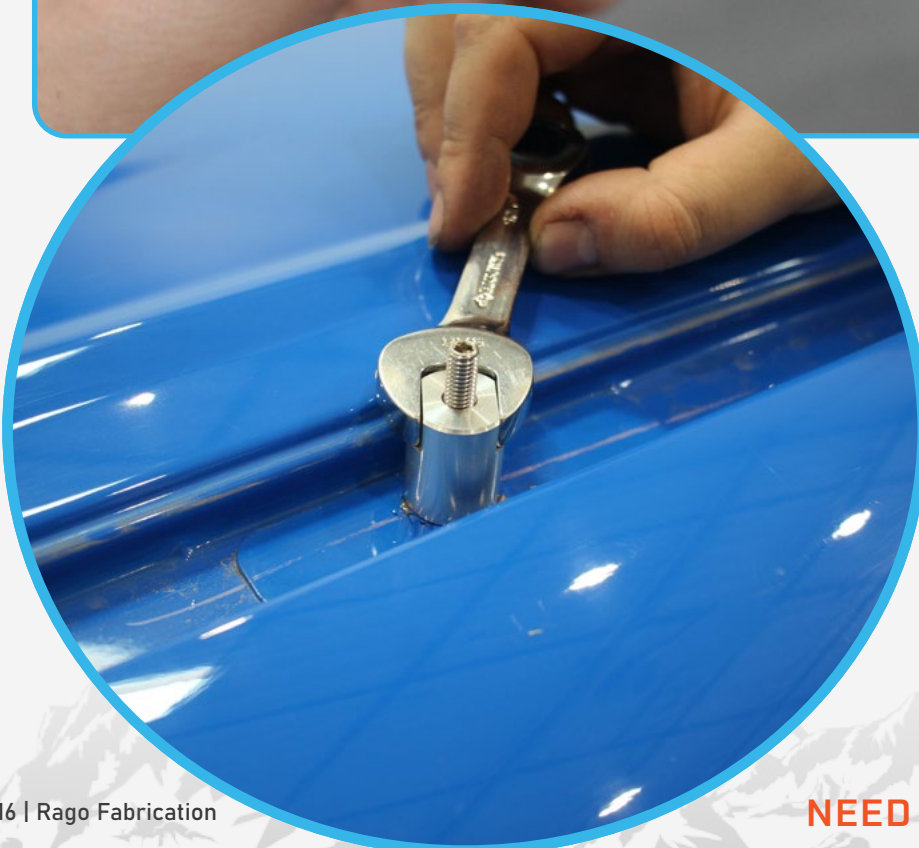
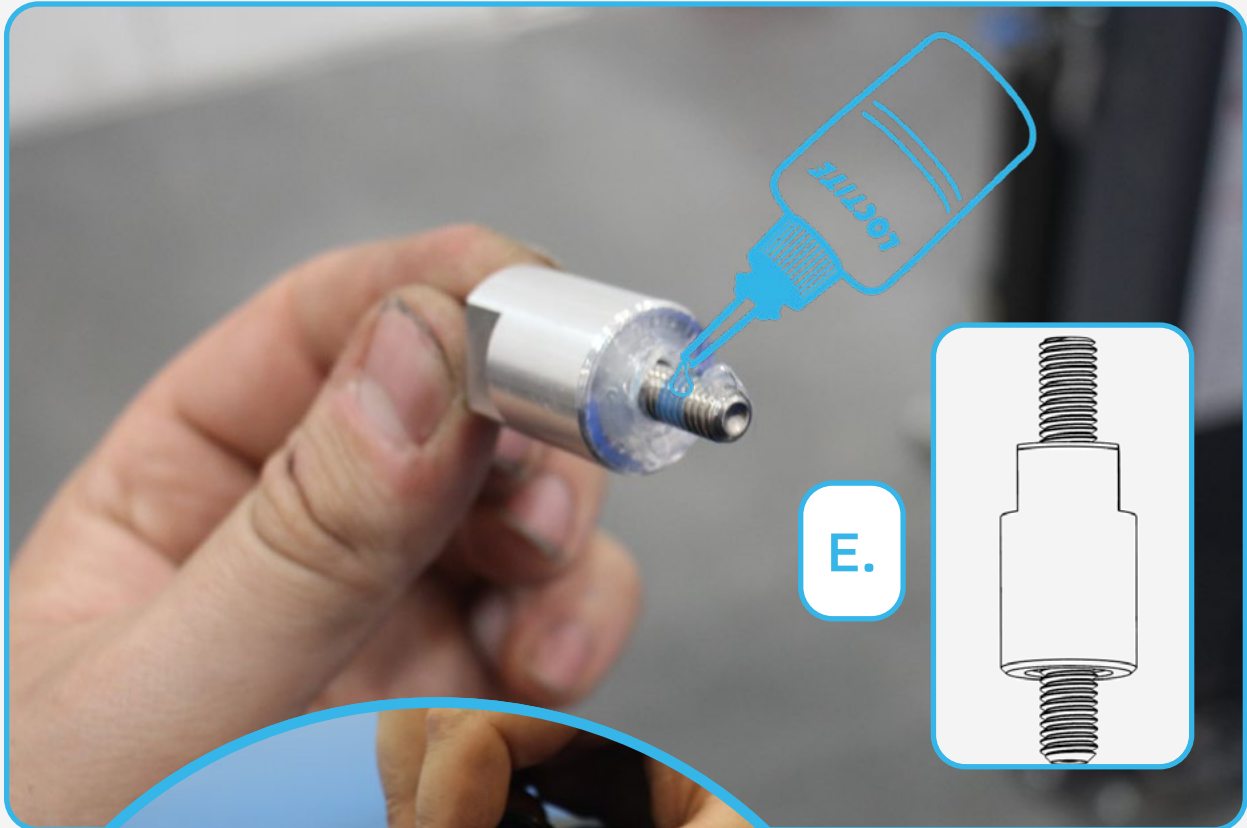
STEP 12

Remove the rubber trim on the front of the 4Runner.



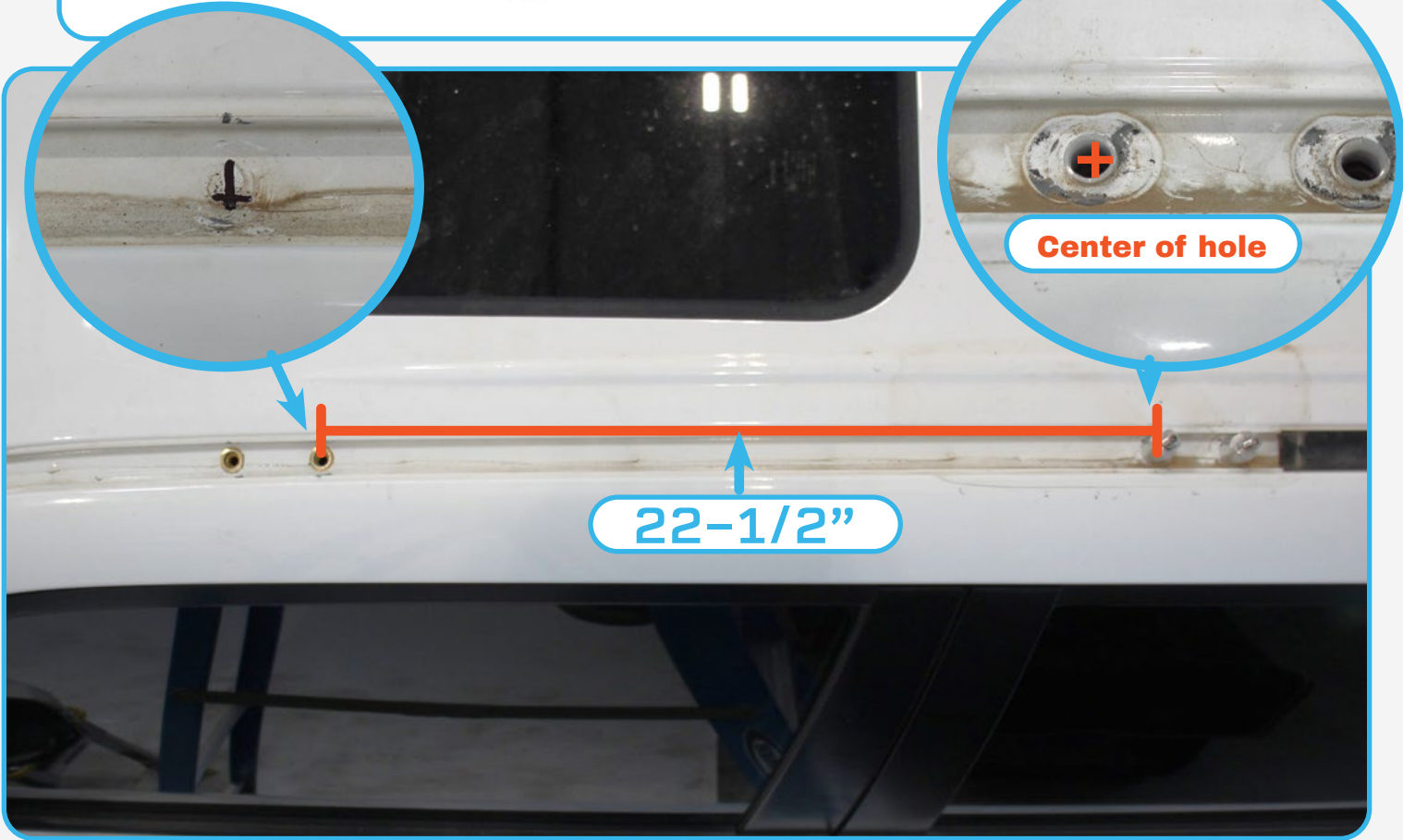
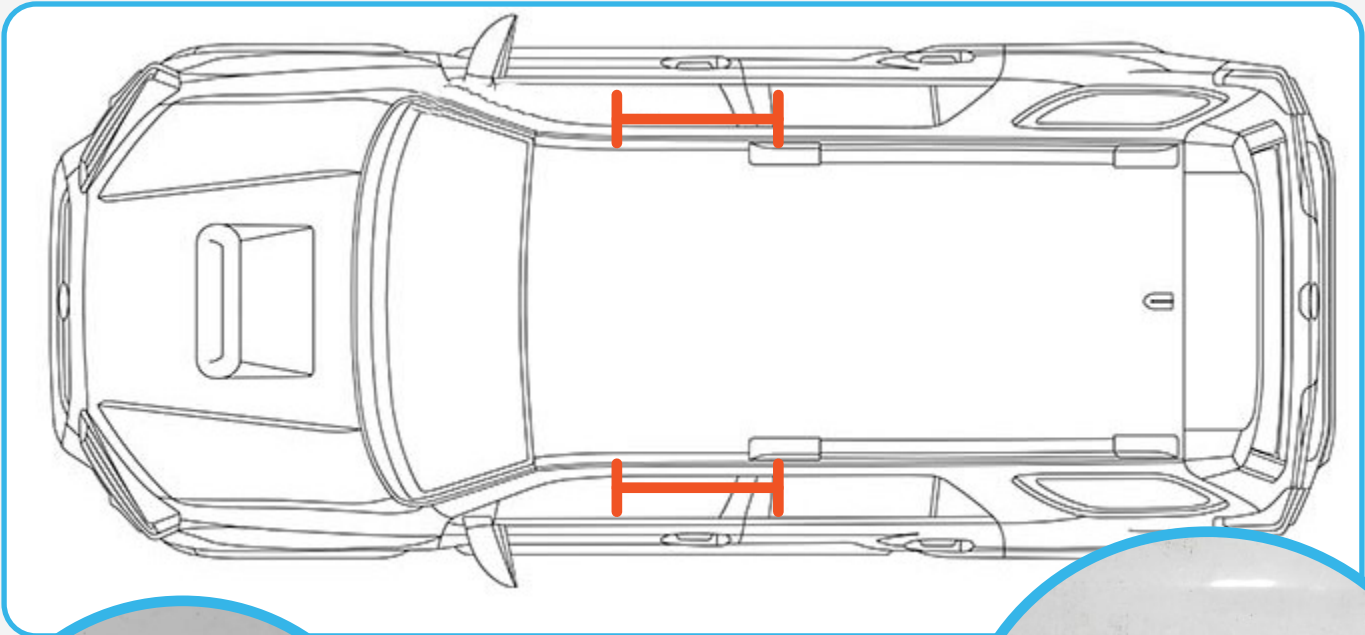
□ STEP 13

- Using the provided (E) aluminum studs, apply silicone onto the bottom of the aluminum spacer and **BLUE LOCTITE** to the threads. **(Ensure you apply these only on the bottom end of the spacers)**
- You can now install the aluminum studs (E) into the holes located from **step 11** using a (9/16 wrench). **DO NOT OVER TIGHTEN**



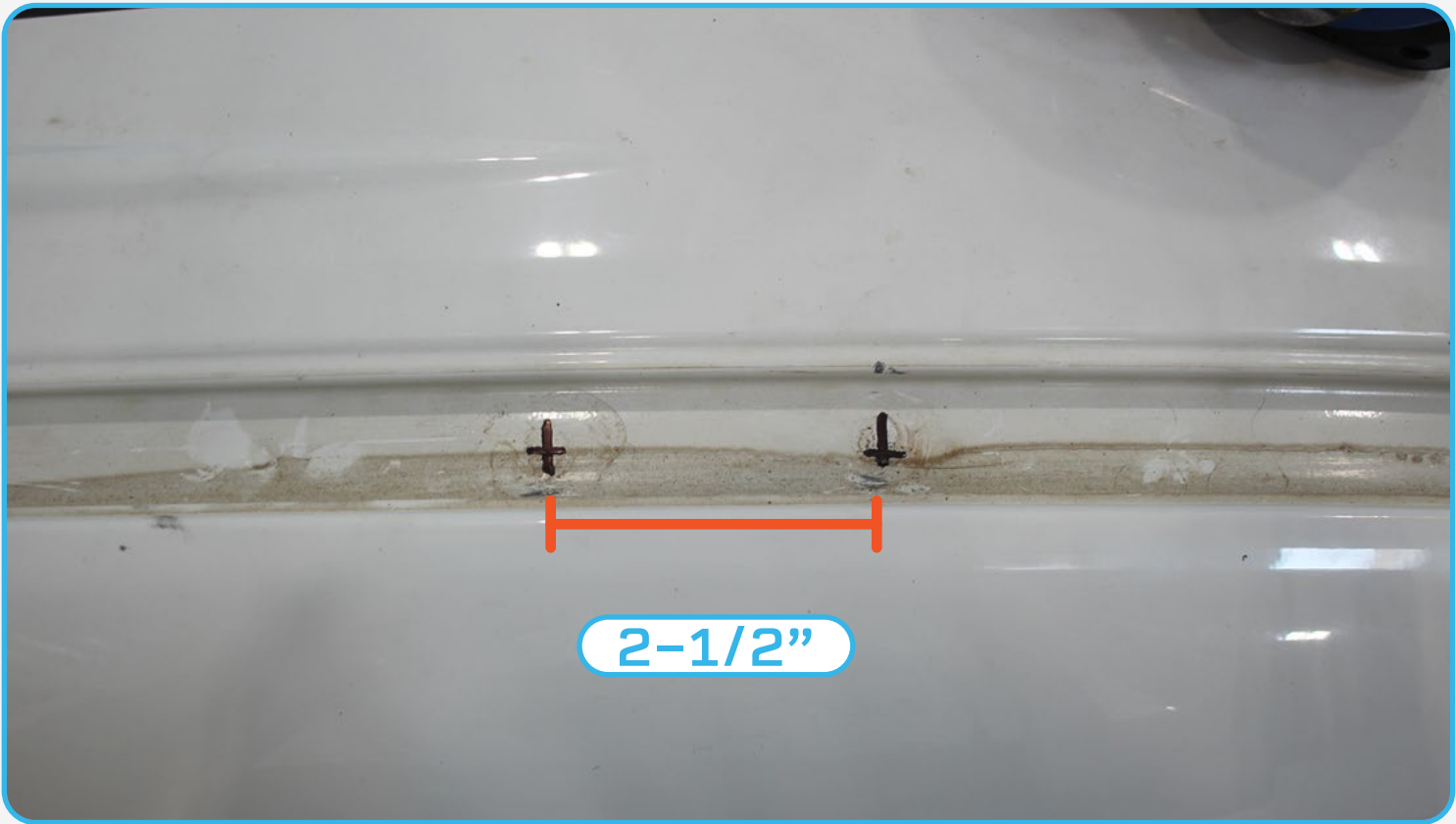
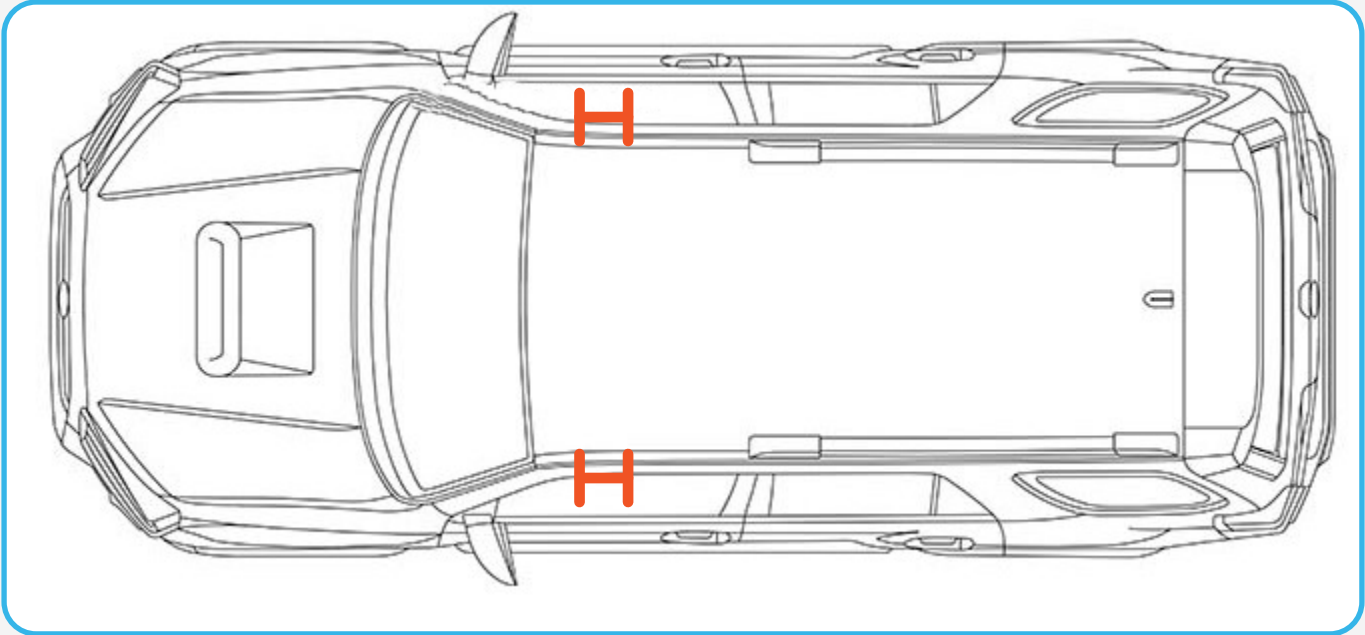
□ STEP 14

Mark the front mounting holes by measuring from the center of hole as shown below to 22-1/2".



□ STEP 15

Next, from the marked hole on **step 14**, measure 2-1/2" for the next hole as shown below.



□ STEP 16

Using a (step up bit) drill the holes marked from **step 15** to a 9/16 hole. ****DO NOT** drill to far due to **damaging headliner****



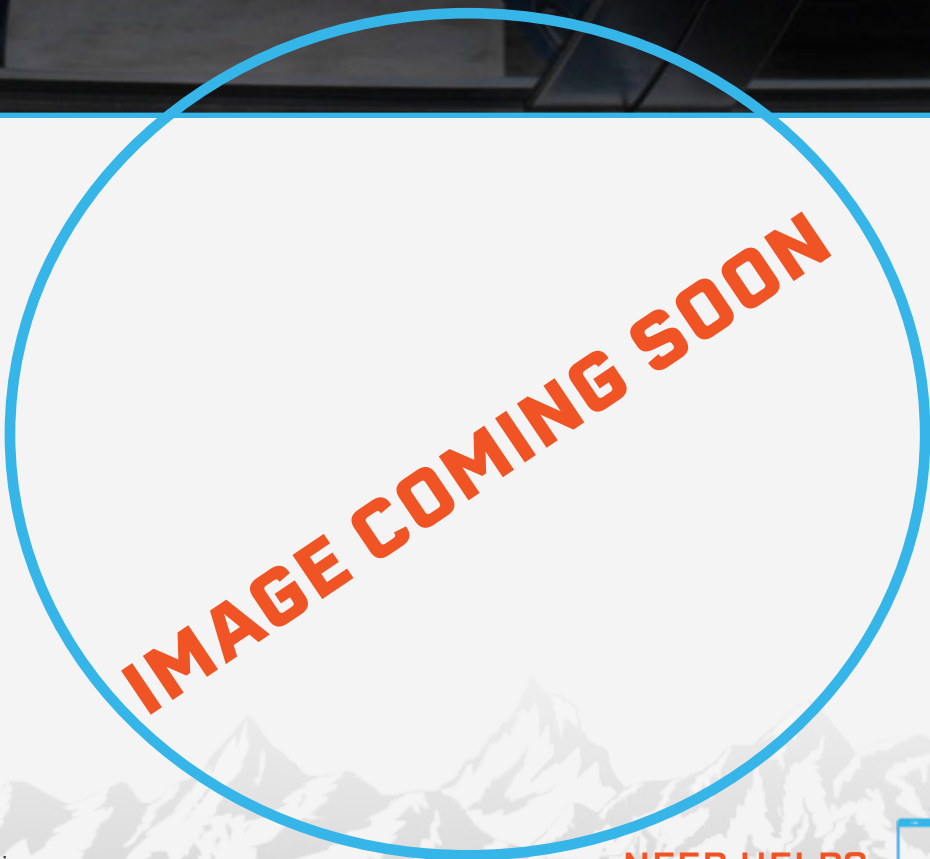
STEP 17

Using a (rivet nut tool), install the provided (A) M8 rivet nuts in the holes drilled on **step 16**.



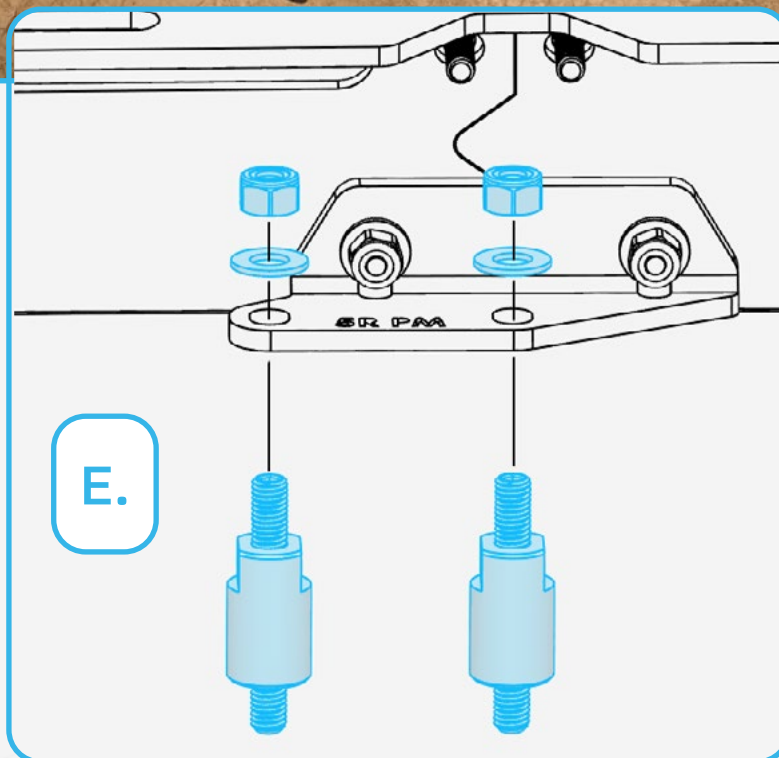
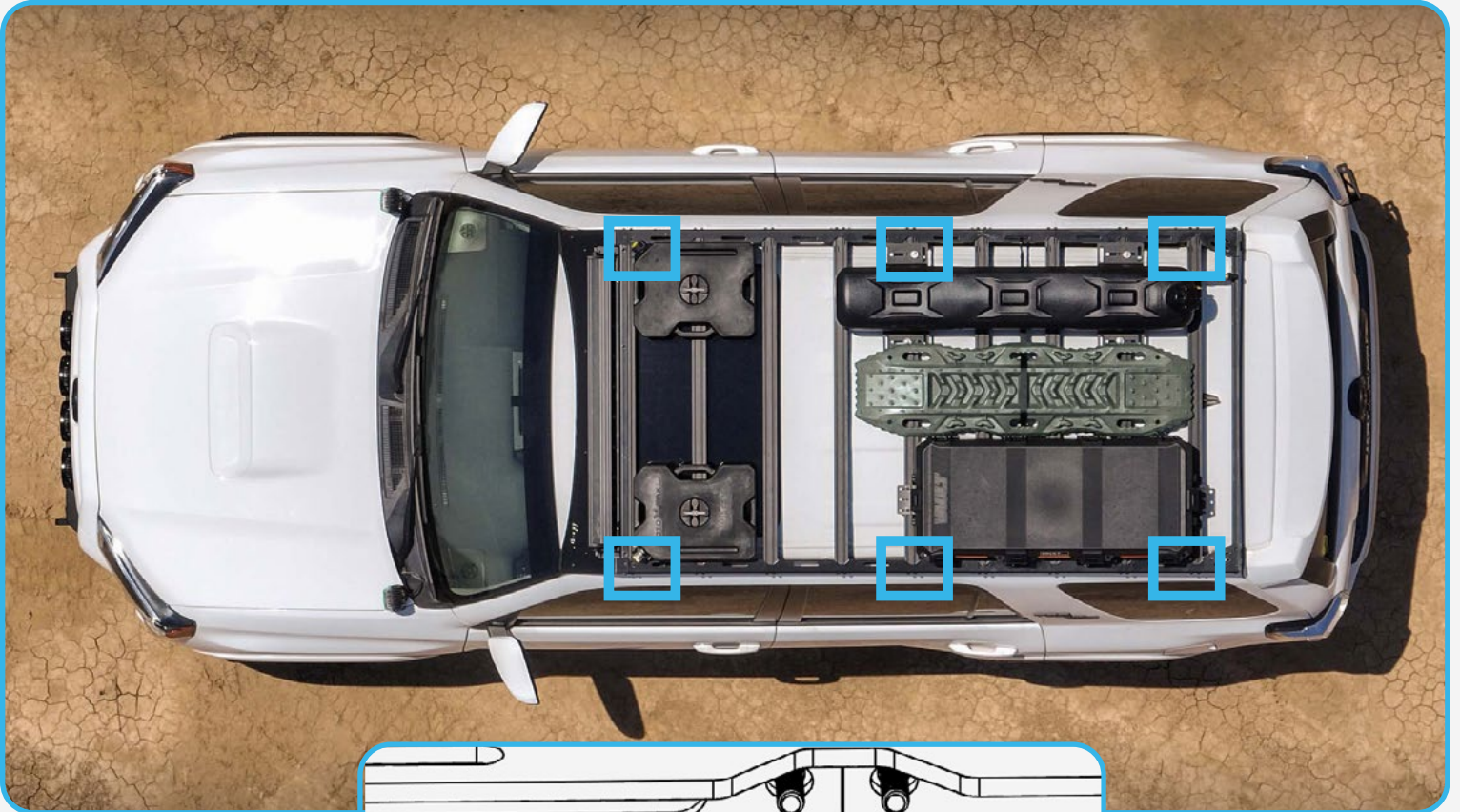
STEP 18

(OPTIONAL) Trim the rubber removed from **step 12** if you desire to re-use.



□ STEP 19

With a helping hand, install the roof rack onto the aluminum studs installed on **step 14** with the provided **(E)** threaded spacer nut and washer as shown below using a **(13mm wrench)**.



STEP 20

Stand back and enjoy your new RAGO Roof Rack With Solid Valence.

Check and re-tighten all mounting bolts after 100 miles and periodically thereafter.

